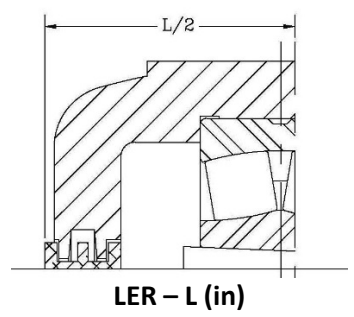
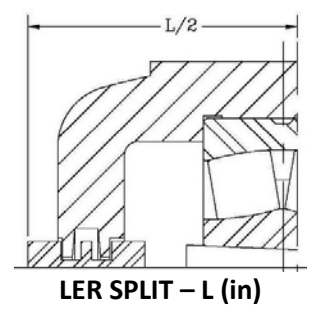


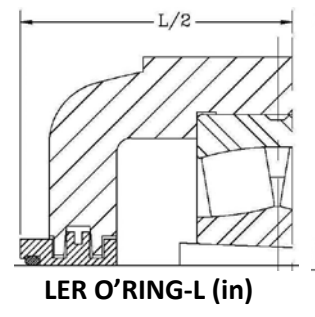
COMPLETE  
PILLOWBLOCK  
NUMBER



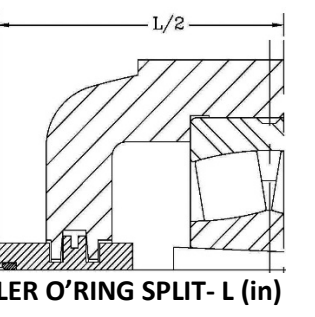
LER - L (in)



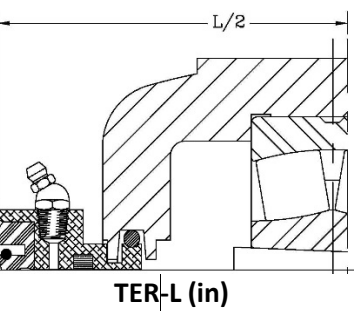
LER SPLIT - L (in)



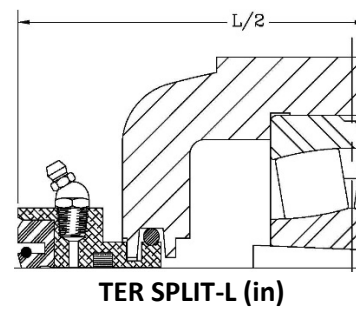
LER O'RING-L (in)



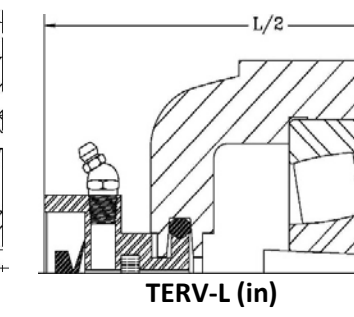
LER O'RING SPLIT- L (in)



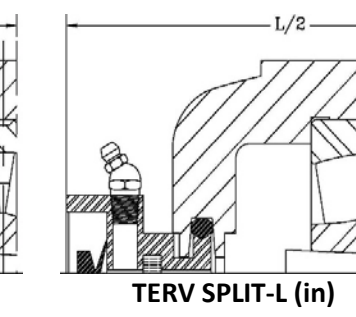
TER-L (in)



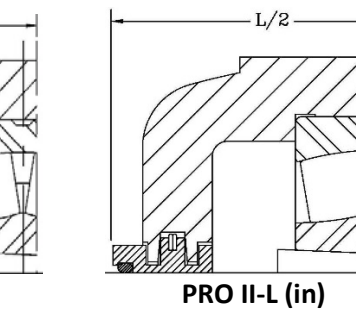
TER SPLIT-L (in)



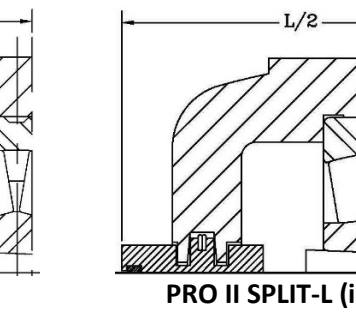
TERV-L (in)



TERV SPLIT-L (in)



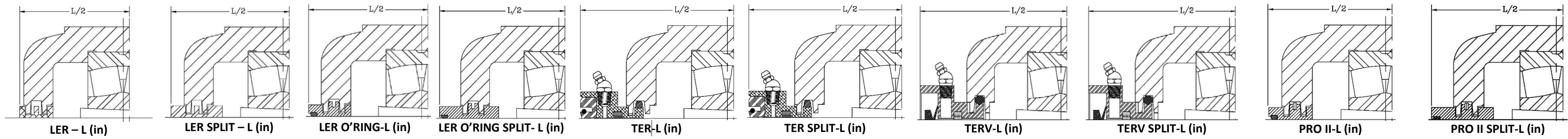
PRO II-L (in)



PRO II SPLIT-L (in)

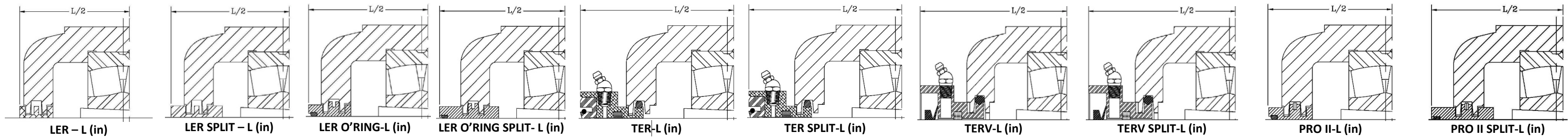
<b>SAF 22513</b>	L=4.500 LER 29	L=4.750 LER 29 A SPLIT	L=4.650 LER 29 O'RING	L=4.850 LER 29 O'RING SPLIT	L=5.75 TER 29	L=5.75 TER 29 SPLIT	L=5.75 TERV 29	L=5.75 TERV 29 SPLIT	L=4.650 PRO II 29	L=4.850 PRO II 29 SPLIT
<b>SAF 22515</b>	L=4.750 LER 37	L=5.000 LER 37 SPLIT	L=4.938 LER 37 O'RING	L=5.562 LER 37 O'RING SPLIT	L=5.999 TER 37	L=5.999 TER 37 SPLIT	L=5.999 TERV 37	L=5.999 TERV 37 SPLIT	L=4.938 PRO II 37	L=5.562 PRO II 37 SPLIT
<b>SAF 22516</b>	L=4.875 LER 44	L=5.125 LER 44 SPLIT	L=5.062 LER 44 O'RING	L=5.687 LER 44 O'RING SPLIT	L=6.125 TER 44	L=6.125 TER 44 SPLIT	L=6.125 TERV 44	L=6.125 TERV 44 SPLIT	L=5.062 PRO II 44	L=5.687 PRO II 44 SPLIT
<b>SAF 22517</b>	L=5.000 LER 53	L=5.250 LER 53 SPLIT	L=5.187 LER 53 O'RING	L=5.812 LER 53 O'RING SPLIT	L=6.312 TER 53	L=6.312 TER 53 SPLIT	L=6.312 TERV 53	L=6.312 TERV 53 SPLIT	L=5.187 PRO II 53	L=5.812 PRO II 53 SPLIT
<b>SAF 22518</b>	L=5.750 LER 188	L=6.292 LER 188 SPLIT	L=6.000 LER 188 O'RING	L=6.542 LER 188 O'RING SPLIT	L=6.563 TER 188	L=6.563 TER 188 SPLIT	L=6.563 TERV 188	L=6.563 TERV 188 SPLIT	L=6.000 PRO II 188	L=6.542 PRO II 188 SPLIT
<b>SAF 22520</b>	L=6.000 LER 102	L=6.542 LER 102 SPLIT	L=6.250 LER 102 O'RING	L=6.792 LER 102 O'RING SPLIT	L=7.000 TER 102	L=7.000 TER 102 SPLIT	L=7.000 TERV 102	L=7.000 TERV 102 SPLIT	L=6.250 PRO II 102	L=6.792 PRO II 102 SPLIT
<b>SAF 22522</b>	L=6.500 LER 109	L=7.042 LER 109 SPLIT	L=6.750 LER 109 O'RING	L=7.291 LER 109 O'RING SPLIT	L=7.350 TER 109	L=7.350 TER 109 SPLIT	L=7.350 TERV 109	L=7.350 TERV 109 SPLIT	L=6.750 PRO II 109	L=7.291 PRO II 109 SPLIT
<b>SAF 22524</b>	L=7.375 LER 113	L=7.917 LER 113 SPLIT	L=7.625 LER 113 O'RING	L=8.166 LER 113 O'RING SPLIT	L=8.250 TER 113	L=8.250 TER 113 SPLIT	L=8.250 TERV 113	L=8.250 TERV 113 SPLIT	L=7.625 PRO II 113	L=8.166 PRO II 113 SPLIT
<b>SAF 22526</b>	L=8.000 LER 117	L=8.542 LER 117 SPLIT	L=8.250 LER 117 O'RING	L=8.791 LER 117 O'RING SPLIT	L=8.875 TER 117	L=8.875 TER 117 SPLIT	L=8.875 TERV 117	L=8.875 TERV 117 SPLIT	L=8.250 PRO II 117	L=8.791 PRO II 117 SPLIT
<b>SAF 22528</b>	L=7.625 LER 122	L=8.291 LER 122 SPLIT	L=7.875 LER 122 O'RING	L=8.541 LER 122 O'RING SPLIT	L=8.500 TER 122	L=8.500 TER 122 SPLIT	L=8.500 TERV 122	L=8.500 TERV 122 SPLIT	L=7.875 PRO II 122	L=8.541 PRO II 122 SPLIT
<b>SAF 22530</b>	L=8.375 LER 125	L=9.041 LER 125 SPLIT	L=8.625 LER 125 O'RING	L=9.291 LER 125 O'RING SPLIT	L=9.313 TER 125	L=9.313 TER 125 SPLIT	L=9.313 TERV 125	L=9.313 TERV 125 SPLIT	L=8.625 PRO II 125	L=9.291 PRO II 125 SPLIT
<b>SAF 22532</b>	L=8.750 LER 130	L=9.416 LER 130 SPLIT	L=9.000 LER 130 O'RING	L=9.666 LER 130 O'RING SPLIT	L=9.687 TER 130	L=9.687 TER 130 SPLIT	L=9.687 TERV 130	L=9.687 TERV 130 SPLIT	L=9.000 PRO II 130	L=9.666 PRO II 130 SPLIT
<b>SAF 22534</b>	L=9.625 LER 140	L=10.291 LER 140 SPLIT	L=9.875 LER 140 O'RING	L=10.416 LER 140 O'RING SPLIT	L=10.625 TER 140	L=10.625 TER 140 SPLIT	L=10.625 TERV 140	L=10.625 TERV 140 SPLIT	L=9.875 PRO II 140	L=10.416 PRO II 140 SPLIT
<b>SAF 22536</b>	L=10.000 LER 148	L=10.666 LER 148 SPLIT	L=10.250 LER 148 O'RING	L=10.791 LER 148 O'RING SPLIT	L=10.938 TER 148	L=10.938 TER 148 SPLIT	L=10.938 TERV 148	L=10.938 TERV 148 SPLIT	L=10.250 PRO II 148	L=10.791 PRO II 148 SPLIT
<b>SAF 22538</b>	L=10.625 LER 155	L=11.291 LER 155 SPLIT	L=10.875 LER 155 O'RING	L=11.416 LER 155 O'RING SPLIT	L=11.688 TER 155	L=11.688 TER 155 SPLIT	L=11.688 TERV 155	L=11.688 TERV 155 SPLIT	L=10.875 PRO II 155	L=11.416 PRO II 155 SPLIT
<b>SAF 22540</b>	L=11.125 LER 159	L=11.667 LER 159 SPLIT	L=11.375 LER 159 O'RING	L=11.916 LER 159 O'RING SPLIT	L=12.250 TER 159	L=12.250 TER 159 SPLIT	L=12.250 TERV 159	L=12.250 TERV 159 SPLIT	L=11.375 PRO II 159	L=11.916 PRO II 159 SPLIT
<b>SAF 22544</b>	L=11.875 LER 167	L=12.541 LER 167 SPLIT	L=12.125 LER 167 O'RING	L=12.666 LER 167 O'RING SPLIT	L=13.000 TER 167	L=13.000 TER 167 SPLIT	L=13.000 TERV 167	L=13.000 TERV 167 SPLIT	L=12.125 PRO II 167	L=12.666 PRO II 167 SPLIT
<b>SAF 22618</b>	L=6.875 LER 188	L=7.417 LER 188 SPLIT	L=7.125 LER 188 O'RING	L=7.667 LER 188 O'RING SPLIT	L=7.688 TER 188	L=7.688 TER 188 SPLIT	L=7.688 TERV 188	L=7.688 TERV 188 SPLIT	L=7.125 PRO II 188	L=7.667 PRO II 188 SPLIT
<b>SAF 22620</b>	L=7.375 LER 102	L=7.917 LER 102 SPLIT	L=7.625 LER 102 O'RING	L=8.167 LER 102 O'RING SPLIT	L=8.375 TER 102	L=8.375 TER 102 SPLIT	L=8.375 TERV 102	L=8.375 TERV 102 SPLIT	L=7.625 PRO II 102	L=8.167 PRO II 102 SPLIT
<b>SAF 22622</b>	L=8.000 LER 109	L=8.542 LER 109 SPLIT	L=8.250 LER 109 O'RING	L=8.791 LER 109 O'RING SPLIT	L=8.850 TER 109	L=8.850 TER 109 SPLIT	L=8.850 TERV 109	L=8.850 TERV 109 SPLIT	L=8.250 PRO II 109	L=8.791 PRO II 109 SPLIT
<b>SAF 22624</b>	L=8.375 LER 113	L=8.917 LER 113 SPLIT	L=8.625 LER 113 O'RING	L=9.166 LER 113 O'RING SPLIT	L=9.250 TER 113	L=9.250 TER 113 SPLIT	L=9.250 TERV 113	L=9.250 TERV 113 SPLIT	L=8.625 PRO II 113	L=9.166 PRO II 113 SPLIT

COMPLETE  
PILLOWBLOCK  
NUMBER



<b>SAF 22626</b>	L=8.750 LER 117	L=9.292 LER 117 SPLIT	L=9.000 LER 117 O-RING	L=9.541 LER 117 O-RING SPLIT	L=9.625 TER 117	L=9.625 TER 117 SPLIT	L=9.625 TERV 117	L=9.625 TERV 117 SPLIT	L=9.000 PRO II 117	L=9.541 PRO II 117 SPLIT
<b>SAF 22628</b>	L=9.625 LER 122	L=10.167 LER 122 SPLIT	L=9.875 LER 122 O-RING	L=10.541 LER 122 O-RING SPLIT	L=10.500 TER 122	L=10.500 TER 122 SPLIT	L=10.500 TERV 122	L=10.500 TERV 122 SPLIT	L=9.875 PRO II 122	L=10.541 PRO II 122 SPLIT
<b>SAF 22630</b>	L=10.000 LER 125	L=10.542 LER 125 SPLIT	L=10.250 LER 125 O-RING	L=10.791 LER 125 O-RING SPLIT	L=10.938 TER 125	L=10.938 TER 125 SPLIT	L=10.938 TERV 125	L=10.938 TERV 125 SPLIT	L=10.250 PRO II 125	L=10.791 PRO II 125 SPLIT
<b>SAF 22632</b>	L=10.625 LER 130	L=11.291 LER 130 SPLIT	L=10.875 LER 130 O-RING	L=11.416 LER 130 O-RING SPLIT	L=11.563 TER 130	L=11.563 TER 130 SPLIT	L=11.563 TERV 130	L=11.563 TERV 130 SPLIT	L=10.875 PRO II 130	L=11.416 PRO II 130 SPLIT
<b>SAF 22634</b>	L=11.125 LER 140	L=11.791 LER 140 SPLIT	L=11.375 LER 140 O-RING	L=11.916 LER 140 O-RING SPLIT	L=12.125 TER 140	L=12.125 TER 140 SPLIT	L=12.125 TERV 140	L=12.125 TERV 140 SPLIT	L=11.375 PRO II 140	L=11.916 PRO II 140 SPLIT
<b>SAF 22636</b>	L=11.375 LER 148	L=12.041 LER 148 SPLIT	L=11.625 LER 148 O-RING	L=12.166 LER 148 O-RING SPLIT	L=12.313 TER 148	L=12.313 TER 148 SPLIT	L=12.313 TERV 148	L=12.313 TERV 148 SPLIT	L=11.625 PRO II 148	L=12.166 PRO II 148 SPLIT
<b>SAF 22638</b>	L=11.875 LER 155	L=12.541 LER 155 SPLIT	L=12.125 LER 155 O-RING	L=12.666 LER 155 O-RING SPLIT	L=12.938 TER 155	L=12.938 TER 155 SPLIT	L=12.938 TERV 155	L=12.938 TERV 155 SPLIT	L=12.125 PRO II 155	L=12.666 PRO II 155 SPLIT
<b>SAF 22640</b>	L=12.063 LER 159	L=12.728 LER 159 SPLIT	L=12.313 LER 159 O-RING	L=12.854 LER 159 O-RING SPLIT	L=13.188 TER 159	L=13.188 TER 159 SPLIT	L=13.188 TERV 159	L=13.188 TERV 159 SPLIT	L=12.313 PRO II 159	L=12.854 PRO II 159 SPLIT
<b>SAF 23024 K 04 03</b>	L=6.000 LER 113	L=6.542 LER 113 SPLIT	L=6.250 LER 113 O-RING	L=6.791 LER 113 O-RING SPLIT	L=6.875 TER 113	L=6.875 TER 113 SPLIT	L=6.875 TERV 113	L=6.875 TERV 113 SPLIT	L=6.250 PRO II 113	L=6.791 PRO II 113 SPLIT
<b>SAF 23026 K 04 07</b>	L=6.500 LER 117	L=7.042 LER 117 SPLIT	L=6.750 LER 117 O-RING	L=7.291 LER 117 O-RING SPLIT	L=7.375 TER 117	L=7.375 TER 117 SPLIT	L=7.375 TERV 117	L=7.375 TERV 117 SPLIT	L=6.750 PRO II 117	L=7.291 PRO II 117 SPLIT
<b>SAF 23028 K 04 15</b>	L=7.375 LER 122	L=8.042 LER 122 SPLIT	L=7.625 LER 122 O-RING	L=8.291 LER 122 O-RING SPLIT	L=8.250 TER 122	L=8.250 TER 122 SPLIT	L=8.250 TERV 122	L=8.250 TERV 122 SPLIT	L=7.625 PRO II 122	L=8.291 PRO II 122 SPLIT
<b>SAF 23030 K 05 03</b>	L=8.000 LER 125	L=8.666 LER 125 SPLIT	L=8.250 LER 125 O-RING	L=8.791 LER 125 O-RING SPLIT	L=8.938 TER 125	L=8.938 TER 125 SPLIT	L=8.938 TERV 125	L=8.938 TERV 125 SPLIT	L=8.250 PRO II 125	L=8.791 PRO II 125 SPLIT
<b>SAF 23032 K 05 07</b>	L=8.000 LER 130	L=8.666 LER 130 SPLIT	L=8.250 LER 130 O-RING	L=8.791 LER 130 O-RING SPLIT	L=8.938 TER 130	L=8.938 TER 130 SPLIT	L=8.938 TERV 130	L=8.938 TERV 130 SPLIT	L=8.250 PRO II 130	L=8.791 PRO II 130 SPLIT
<b>SAF 23034 K 05 15</b>	L=7.625 LER 140	L=8.291 LER 140 SPLIT	L=7.875 LER 140 O-RING	L=8.416 LER 140 O-RING SPLIT	L=8.625 TER 140	L=8.625 TER 140 SPLIT	L=8.625 TERV 140	L=8.625 TERV 140 SPLIT	L=7.875 PRO II 140	L=8.416 PRO II 140 SPLIT
<b>SAF 23036 K 06 07</b>	L=8.750 LER 148	L=9.416 LER 148 SPLIT	L=9.000 LER 148 O-RING	L=9.541 LER 148 O-RING SPLIT	L=9.688 TER 148	L=9.688 TER 148 SPLIT	L=9.688 TERV 148	L=9.688 TERV 148 SPLIT	L=9.000 PRO II 148	L=9.541 PRO II 148 SPLIT
<b>SAF 23038 K 06 15</b>	L=8.750 LER 155	L=9.416 LER 155 SPLIT	L=9.000 LER 155 O-RING	L=9.541 LER 155 O-RING SPLIT	L=9.688 TER 155	L=9.688 TER 155 SPLIT	L=9.688 TERV 155	L=9.688 TERV 155 SPLIT	L=9.000 PRO II 155	L=9.541 PRO II 155 SPLIT
<b>SAF 23040 K 07 03</b>	L=9.625 LER 159	L=10.167 LER 159 SPLIT	L=9.875 LER 159 O-RING	L=10.416 LER 159 O-RING SPLIT	L=10.750 TER 159	L=10.750 TER 159 SPLIT	L=10.750 TERV 155	L=10.750 TERV 155 SPLIT	L=9.875 PRO II 155	L=10.416 PRO II 155 SPLIT
<b>SAF 23044 K 07 15</b>	L=10.625 LER 167	L=11.291 LER 167 SPLIT	L=10.875 LER 167 O-RING	L=11.416 LER 167 O-RING SPLIT	L=11.750 TER 167	L=11.750 TER 167 SPLIT	L=11.750 TERV 167	L=11.750 TERV 167 SPLIT	L=10.875 PRO II 167	L=11.416 PRO II 167 SPLIT
<b>SAF 23048 K 08 07</b>	L=11.125 LER 526	L=11.791 LER 526 SPLIT	L=11.375 LER 526 O-RING	L=11.916 LER 526 O-RING SPLIT	L=12.375 TER 526	L=12.375 TER 526 SPLIT	L=12.375 TERV 526	L=12.375 TERV 526 SPLIT	L=11.375 PRO II 526	L=11.916 PRO II 526 SPLIT
<b>SAF 23048 K 08 08</b>	L=11.125 LER 527	L=11.791 LER 527 SPLIT	L=11.375 LER 527 O-RING	L=11.916 LER 527 O-RING SPLIT	L=12.375 TER 527	L=12.375 TER 527 SPLIT	L=12.375 TERV 527	L=12.375 TERV 527 SPLIT	L=11.375 PRO II 527	L=11.916 PRO II 527 SPLIT
<b>SAF 23048 K 08 15</b>	L=11.125 LER 529	L=11.791 LER 529 SPLIT	L=11.375 LER 529 O-RING	L=11.916 LER 529 O-RING SPLIT	L=12.375 TER 529	L=12.375 TER 529 SPLIT	L=12.375 TERV 529	L=12.375 TERV 529 SPLIT	L=11.375 PRO II 529	L=11.916 PRO II 529 SPLIT

COMPLETE  
PILLOWBLOCK  
NUMBER



<b>SAF 23048 K 09 00</b>	L=11.125 LER 530	L=11.791 LER 530 SPLIT	L=11.375 LER 530 O'RING	L=11.916 LER 530 O'RING SPLIT	L=12.375 TER 530	L=12.375 TER 530 SPLIT	L=12.375 TERV 530	L=12.375 TERV 530 SPLIT	L=11.375 PRO II 530	L=11.916 PRO II 530 SPLIT
<b>SAF 23052 K 09 07</b>	L=11.875 LER 178-1	L=12.541 LER 178-1 SPLIT	L=12.125 LER 178-1 O'RING	L=12.666 LER 178-1 O'RING SPLIT	L=13.250 TER 178-1	L=13.250 TER 178-1 SPLIT	L=13.250 TERV 178-1	L=13.250 TERV 178-1 SPLIT	L=12.125 PRO II 178-1	L=12.666 PRO II 178-1 SPLIT
<b>SAF 23052 K 09 08</b>	L=11.875 LER 178	L=12.541 LER 178 SPLIT	L=12.125 LER 178 O'RING	L=12.666 LER 178 O'RING SPLIT	L=13.250 TER 178	L=13.250 TER 178 SPLIT	L=13.250 TERV 178	L=13.250 TERV 178 SPLIT	L=12.125 PRO II 178	L=12.666 PRO II 178 SPLIT
<b>SAF 23056 K 09 15</b>	L=12.063 ER 751	L=12.728 ER 751 SPLIT	L=12.313 ER 751 O'RING	L=12.854 ER 751 O'RING SPLIT	L=13.688 TER 751	L=13.688 TER 751 SPLIT	L=13.688 TERV 751	L=13.688 TERV 751 SPLIT	L=12.313 PRO II 751	L=12.854 PRO II 751 SPLIT
<b>SAF 23056 K 10 00</b>	L=12.063 ER 705	L=12.728 ER 705 SPLIT	L=12.313 ER 705 O'RING	L=12.854 ER 705 O'RING SPLIT	L=13.688 TER 705	L=13.688 TER 705 SPLIT	L=13.688 TERV 705	L=13.688 TERV 705 SPLIT	L=12.313 PRO II 705	L=12.854 PRO II 705 SPLIT
<b>SAF 23056 K 10 07</b>	L=12.063 ER 745	L=12.728 ER 745 SPLIT	L=12.313 ER 745 O'RING	L=12.854 ER 745 O'RING SPLIT	L=13.688 TER 745	L=13.688 TER 745 SPLIT	L=13.688 TERV 745	L=13.688 TERV 745 SPLIT	L=12.313 PRO II 745	L=12.854 PRO II 745 SPLIT
<b>SAF 23056 K 10 08</b>	L=12.063 ER 710	L=12.728 ER 710 SPLIT	L=12.313 ER 710 O'RING	L=12.854 ER 710 O'RING	L=13.688 TER 710	L=13.688 TER 710 SPLIT	L=13.688 TERV 710	L=13.688 TERV 710 SPLIT	L=12.313 PRO II 710	L=12.854 PRO II 710 SPLIT