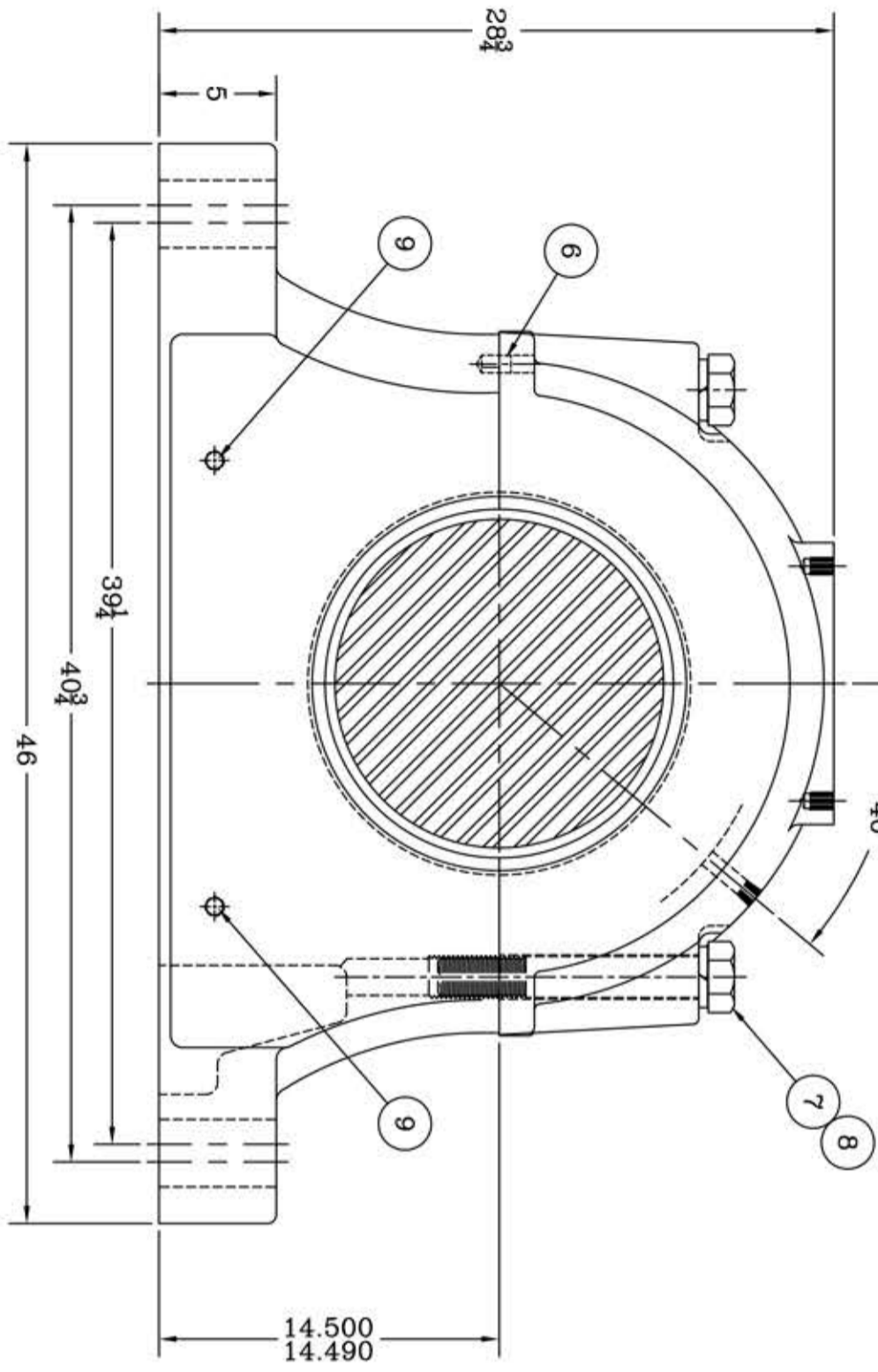
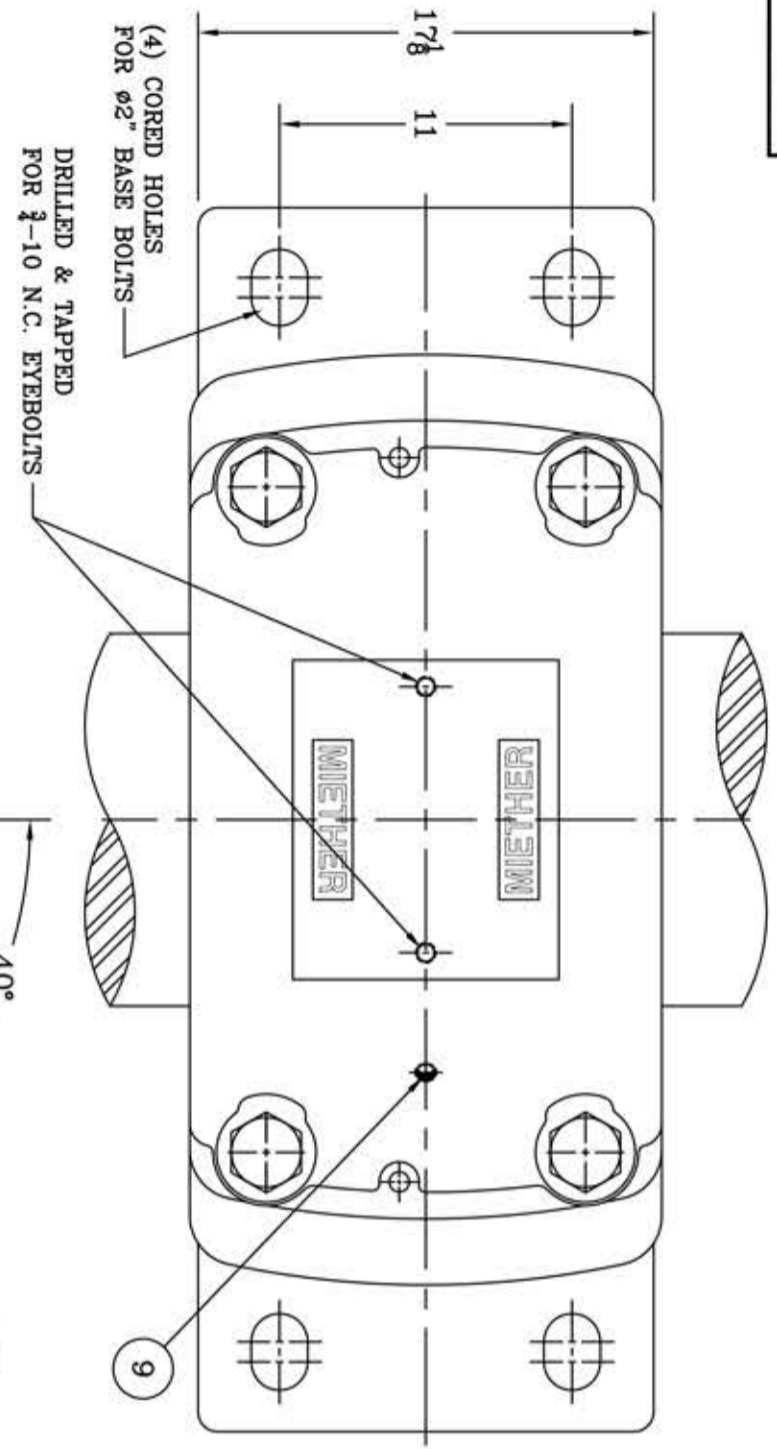
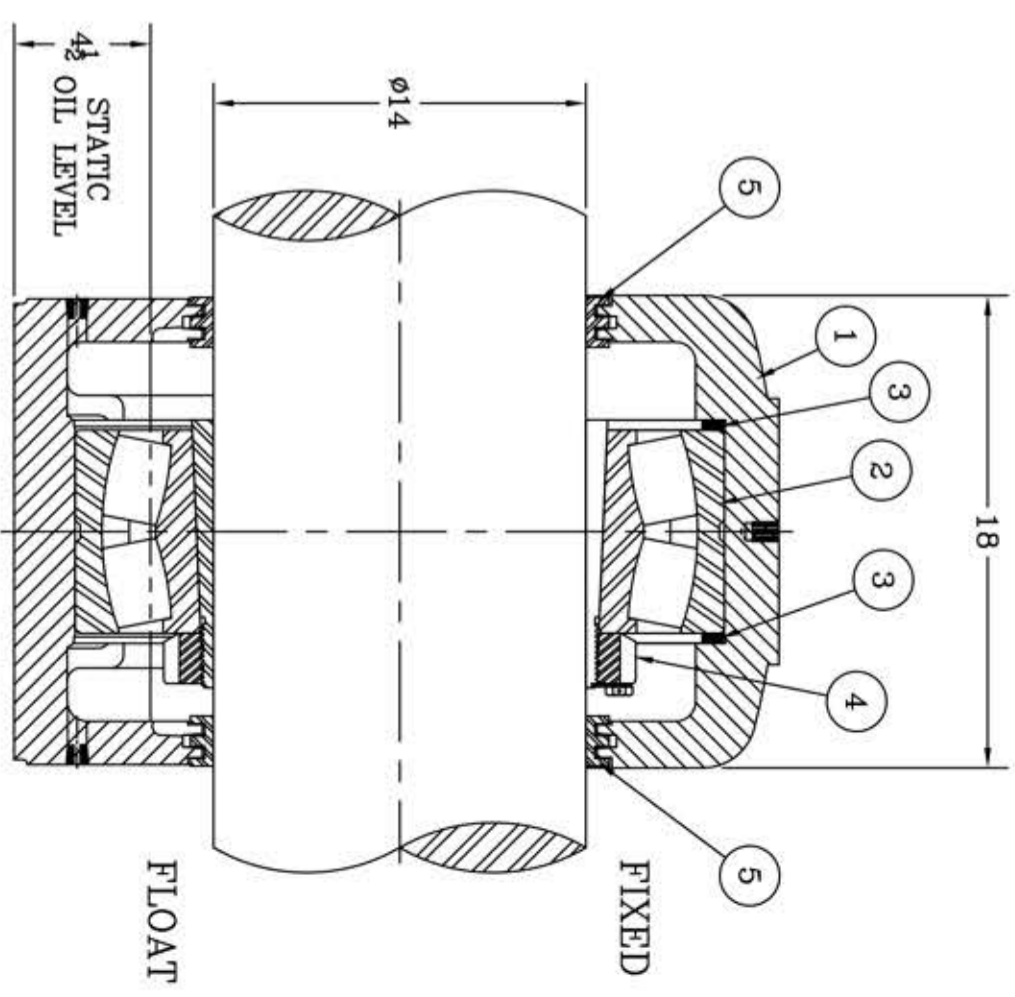


This drawing is the sole property of Miether Bearing Products and contains confidential and proprietary information. It is being provided to you for your use and may not be disclosed to any third party or used for any other purpose without Miether's prior written consent. The [materials] must be returned to the Company upon its demand. Your acceptance of these materials constitutes your acceptance of the foregoing terms.

C-35319



ITEM	DESCRIPTION	DETAIL	REQUIRED
1	HOUSING SDAFD 3268 K 12-07	C-	1 1
2	SPHERICAL ROLLER BEARING	23268K/W-33	1 1
3	STABILIZING RING A8978	A-25092	2 0
4	ADAPTER SNP-3268 12-07	A-29246	1 1
5	TRIPLE SEAL RING ER-975	$\phi 2 \frac{1}{2}$ x $1 \frac{1}{4}$ LONG	2 2
6	DOWEL	$1 \frac{1}{2}$ -5 NC x 13" LONG	2 2
7	CAP BOLT HEX. HEAD GR.5	$1 \frac{1}{2}$ SPLIT MED.	4 4
8	LOCKWASHER	$\frac{1}{2}$ -14 NPT	4 4
9	PIPE PLUG		5 5



HOUSING MATERIAL - DUCTILE IRON
ASTM A536 GR 65-45-12

REVISIONS

TOLERANCE: UNLESS OTHERWISE SPECIFIED

FRACTIONS	+- 1/32"	ANGLES	+- 0°-30'
DECIMALS	+- .005"	WELD	+- 1/16"
CASTING	+- 1/16"		

A.I.S.I. STANDARD FINISHES

SYMBOL	FINISH	MICRO-INCH VALUE
C	✓	16
D	✓	32
E	✓	63
F	✓	125
G	✓	250
J	✓	500
K	✓	1000

AN ALCO INDUSTRIES COMPANY
BEARING PRODUCTS
ODESSA, TX. USA

SDAFD 23268 K 12-08
ASSEMBLY DRAWING

SCALE NONE
DRAWN PCF
DATE 1/10/13
CHK:

ASSEMBLY NO.
DRAWING NO.
C-35319