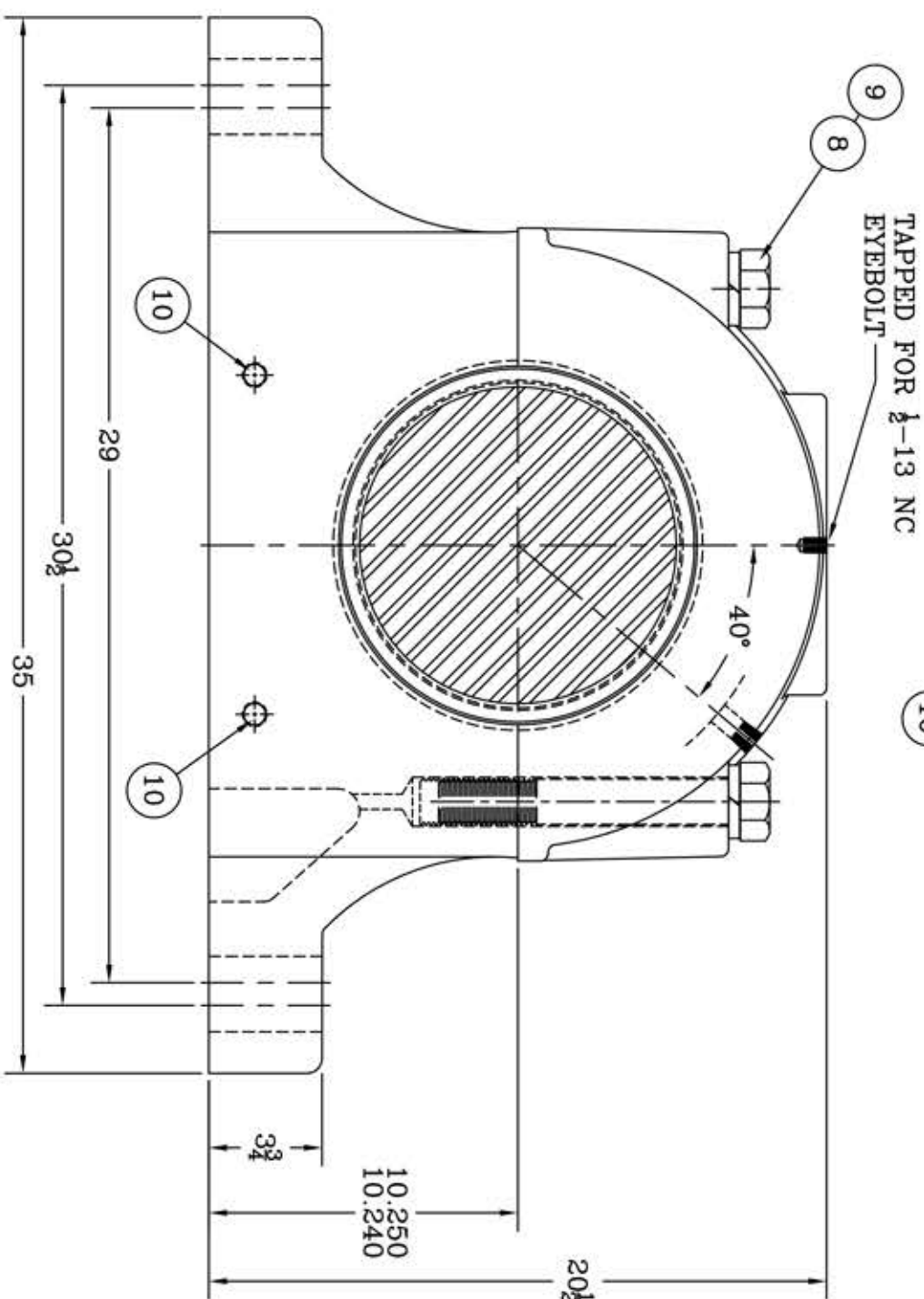
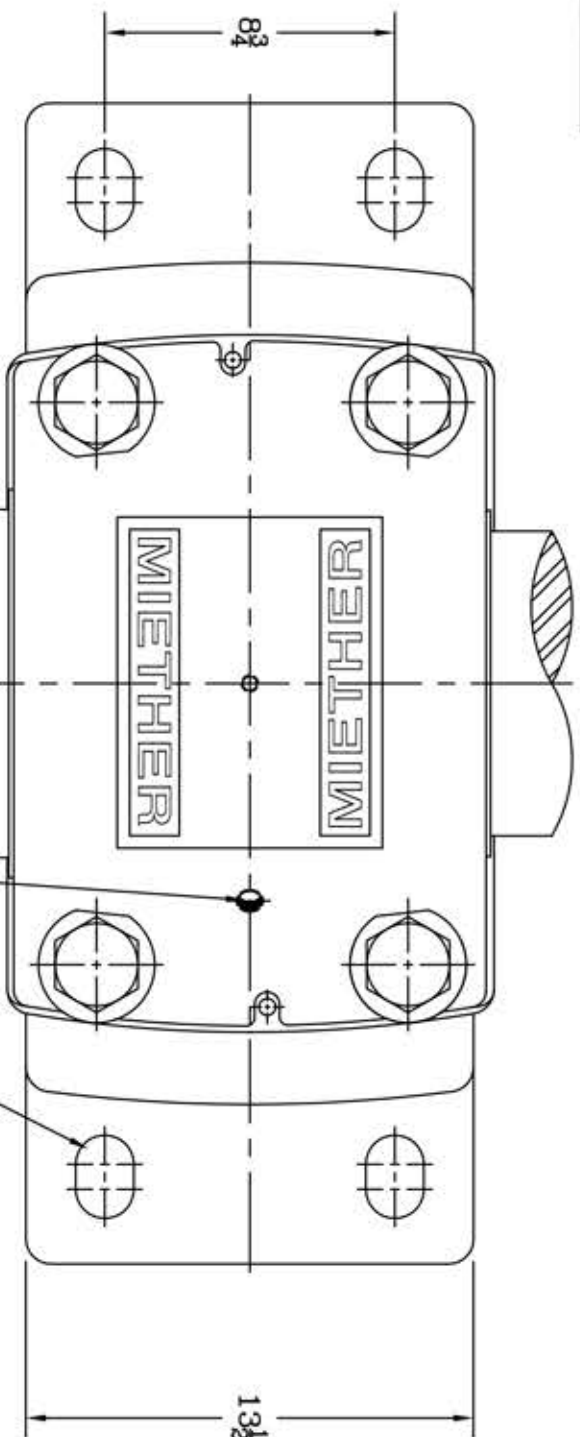
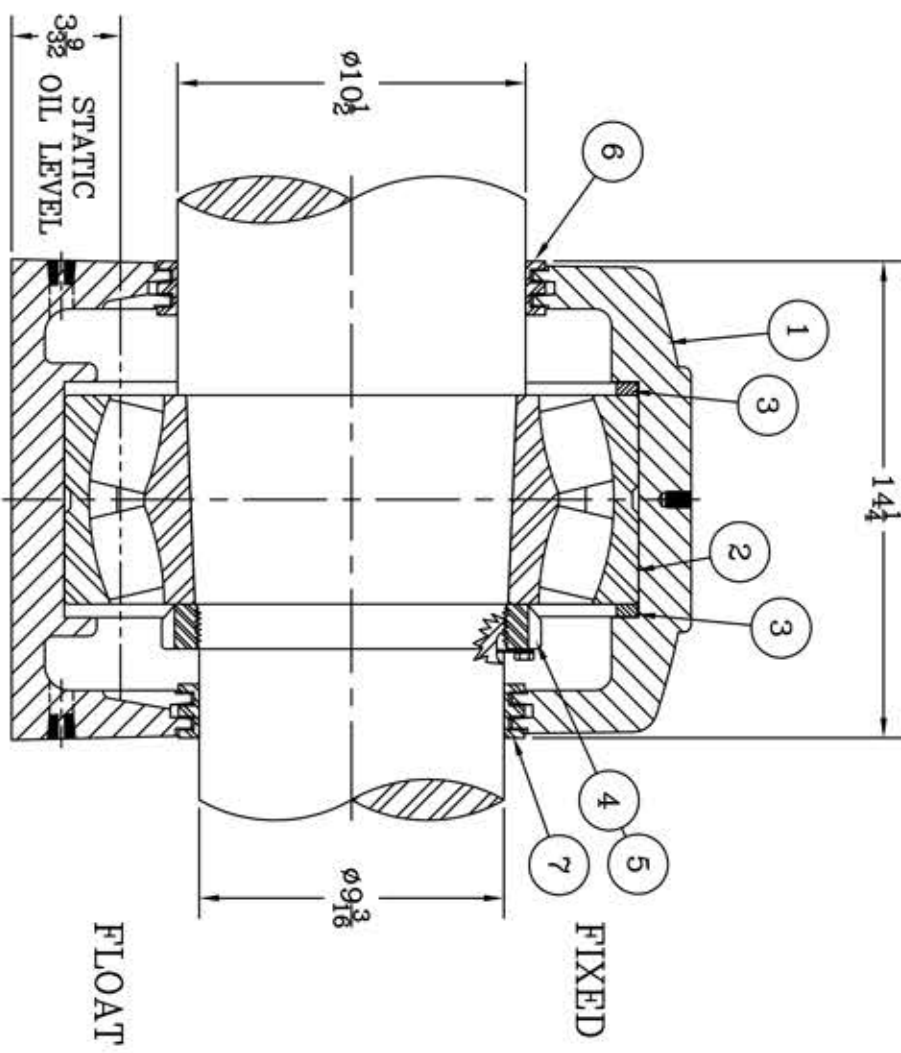


This drawing is the sole property of Miether Bearing Products and contains confidential and proprietary information. It is being provided to you for your use and may not be disclosed to any third party or used for any other purpose without Miether's prior written consent. The [materials] must be returned to the Company upon its demand. Your acceptance of these materials constitutes your acceptance of the foregoing terms.

C-32221



ITEM	DESCRIPTION	DETAIL	REQUIRED
1	HOUSING SDAFD 3248	C-30571-R	1 1
2	SPHERICAL ROLLER BEARING	23248K/W33	1 1
3	STABILIZING RING A-5679	A-15611	2 0
4	LOCKNUT N-048	B-10177	1 1
5	LOCKWASHER P-48	~~~~~	1 1
6	TRIPLE SEAL RING ER-840	A-15705	1 1
7	TRIPLE SEAL RING ER-923	A-26398	1 1
8	CAP BOLT HEX HEAD GR. 5	1 1/2-6 NC x 10" LONG	4 4
9	LOCKWASHER	1 1/2 SPLT MED.	4 4
10	PIPE PLUG	1/2-14 NPT	5 5



MATERIAL: DUCTILE IRON

REVISIONS

SYMBOL	DESCRIPTION	DATE	BY
C	16	32	63
D	32	63	125
E	63	125	250
F	125	250	500
G	250	500	1000
H	500	1000	
K	1000		

TOLERANCE: UNLESS OTHERWISE SPECIFIED

FRACTIONS $\pm 1/32"$ ANGLES $\pm 0^\circ 30'$

DECIMALS $\pm .005$ WELD $\pm 1/16"$

CASTING $\pm 1/16"$

A.I.S.I. STANDARD FINISHES

MICRO-INCH VALUE

AN ALCO INDUSTRIES COMPANY
BEARING PRODUCTS
ODESSA, TX. USA

SDAFD 23248 K 10-08 x 09-03	ASSEMBLY DRAWING
SCALE 1 = 4	ASSEMBLY NO.
DRAWN A.R.	DRAWING NO.
DATE 6/23/04	C-32221
CHK:	