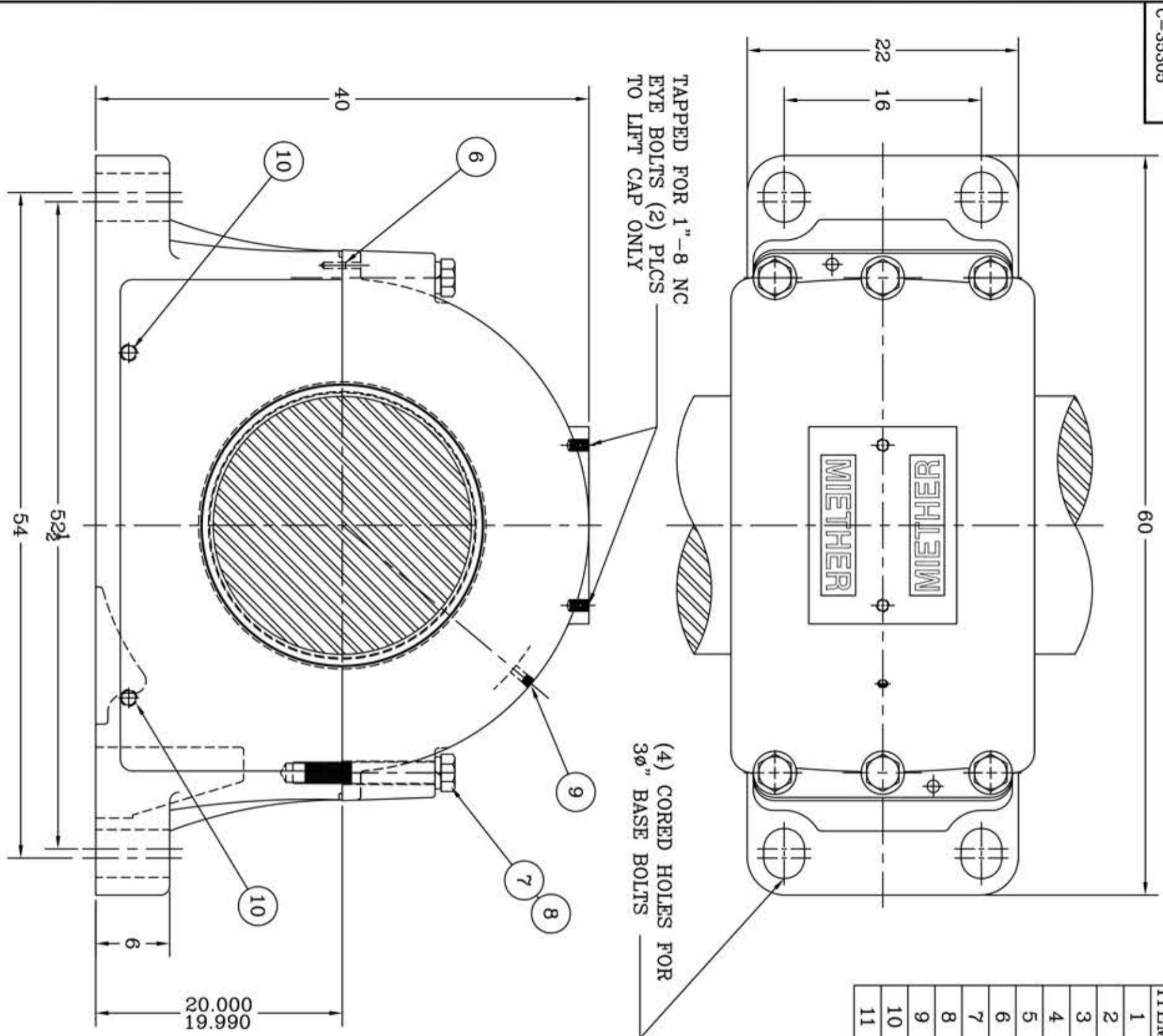
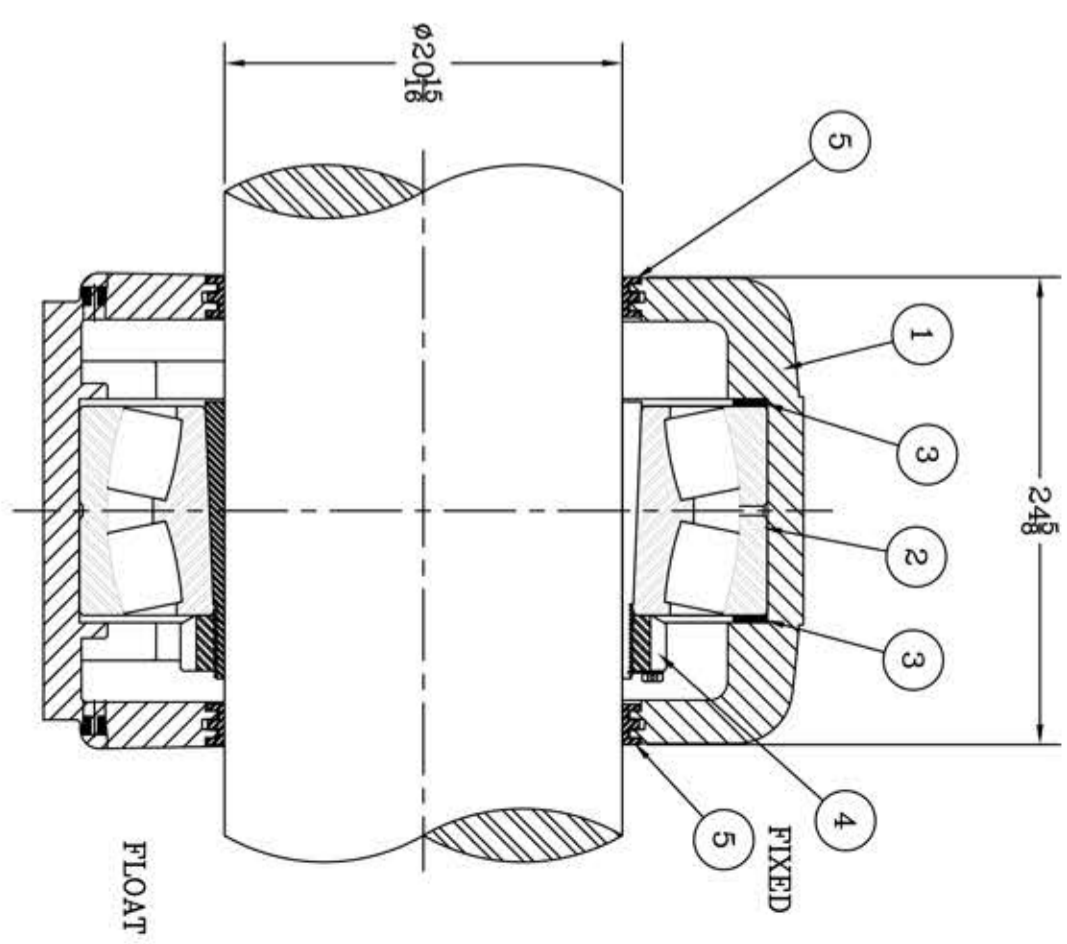


This drawing is the sole property of Miether Bearing Products and contains confidential and proprietary information. It is being provided to you for your use and may not be disclosed to any third party or used for any other purpose without Miether's prior written consent. The [materials] must be returned to the Company upon its demand. Your acceptance of these materials constitutes your acceptance of the foregoing terms.

C-35305



ITEM	DESCRIPTION	DETAIL	REQUIRED
1	HOUSING SDAF 31/560 K 20-15	C-	1 1
2	SPHERICAL ROLLER BEARING	231/560 K	1 1
3	STABILIZING RING SR-21816	A-21816	2 0
4	ADAPTER SNP 231/560 20-15	~~~~~	1 1
5	TRIPLE SEAL RING ER	A-	2 2
6	DOWEL PIN	1φ x 2" LONG	2 2
7	CAP BOLT HEX HEAD	1 1/2-5 NC x 1 1/2" LONG	4 4
8	LOCKWASHER	1 1/2 SPLIT MED.	4 4
9	PIPE PLUG	1/2-14 NPT	1 1
10	PIPE PLUG	1-11 1/2 NPT	4 4
11			



HOUSING MATERIAL - DUCTILE IRON
ASTM A536 GR 65-45-12

REVISIONS

SYMBOL	DESCRIPTION	MICRO-INCH VALUE
✓	16	
✓	32	
✓	63	
✓	125	
✓	250	
✓	500	
✓	1000	

TOLERANCE: UNLESS OTHERWISE SPECIFIED
 FRACTIONS ± 1/32" ANGLES ± 0° 30'
 DECIMALS ± .005" WELD ± 1/16"
 CASTING ± 1/16"

AISI STANDARD FINISHES

AN ALCO INDUSTRIES COMPANY
BEARING PRODUCTS
ODESSA, TX USA

SDAFD 231/560 K 20-15
ASSEMBLY DRAWING

SCALE 1 = 7
DRAWN PCF
DATE 1/9/13
CHK:

ASSEMBLY NO.
DRAWING NO. C-35305