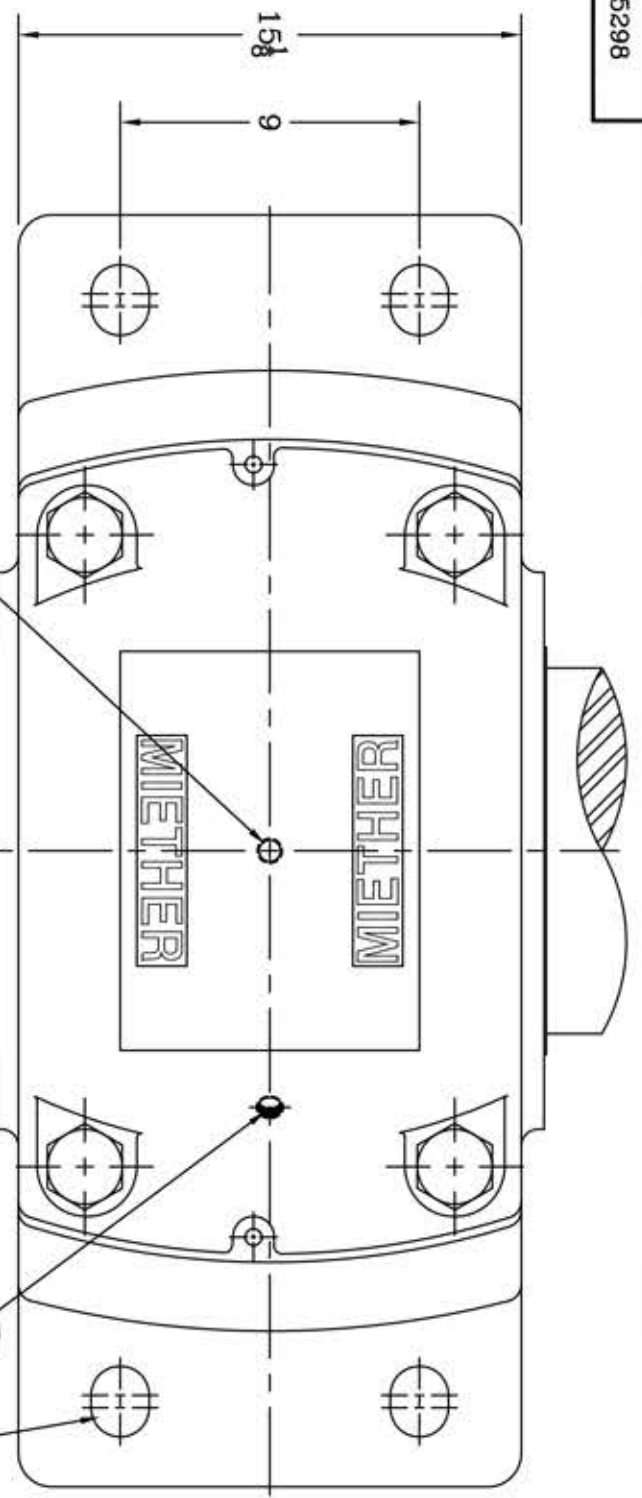


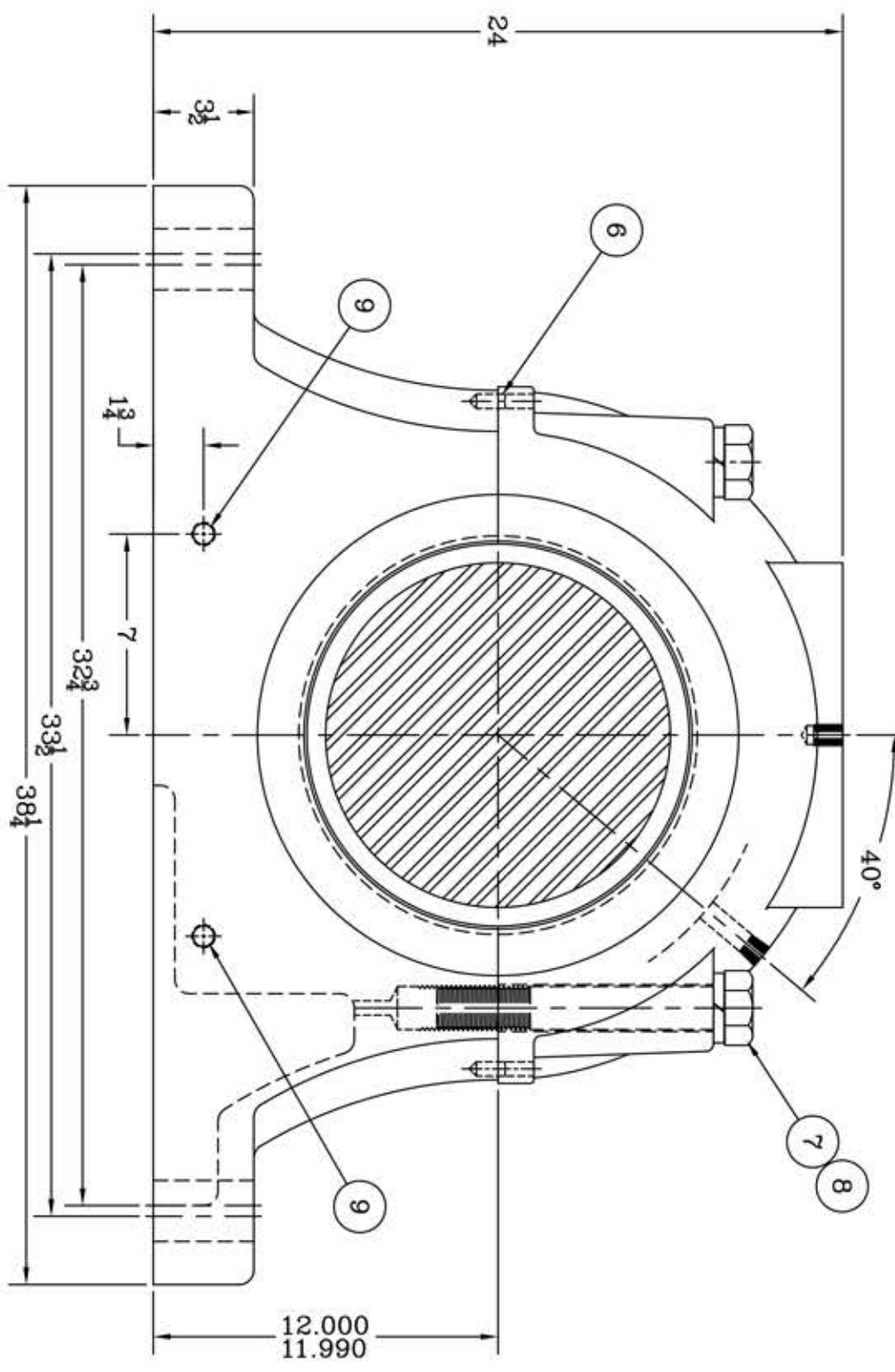
This drawing is the sole property of Miether Bearing Products and contains confidential and proprietary information. It is being provided to you for your use and may not be disclosed to any third party or used for any other purpose without Miether's prior written consent. The [materials] must be returned to the Company upon its demand. Your acceptance of these materials constitutes your acceptance of the foregoing terms.

C-35298

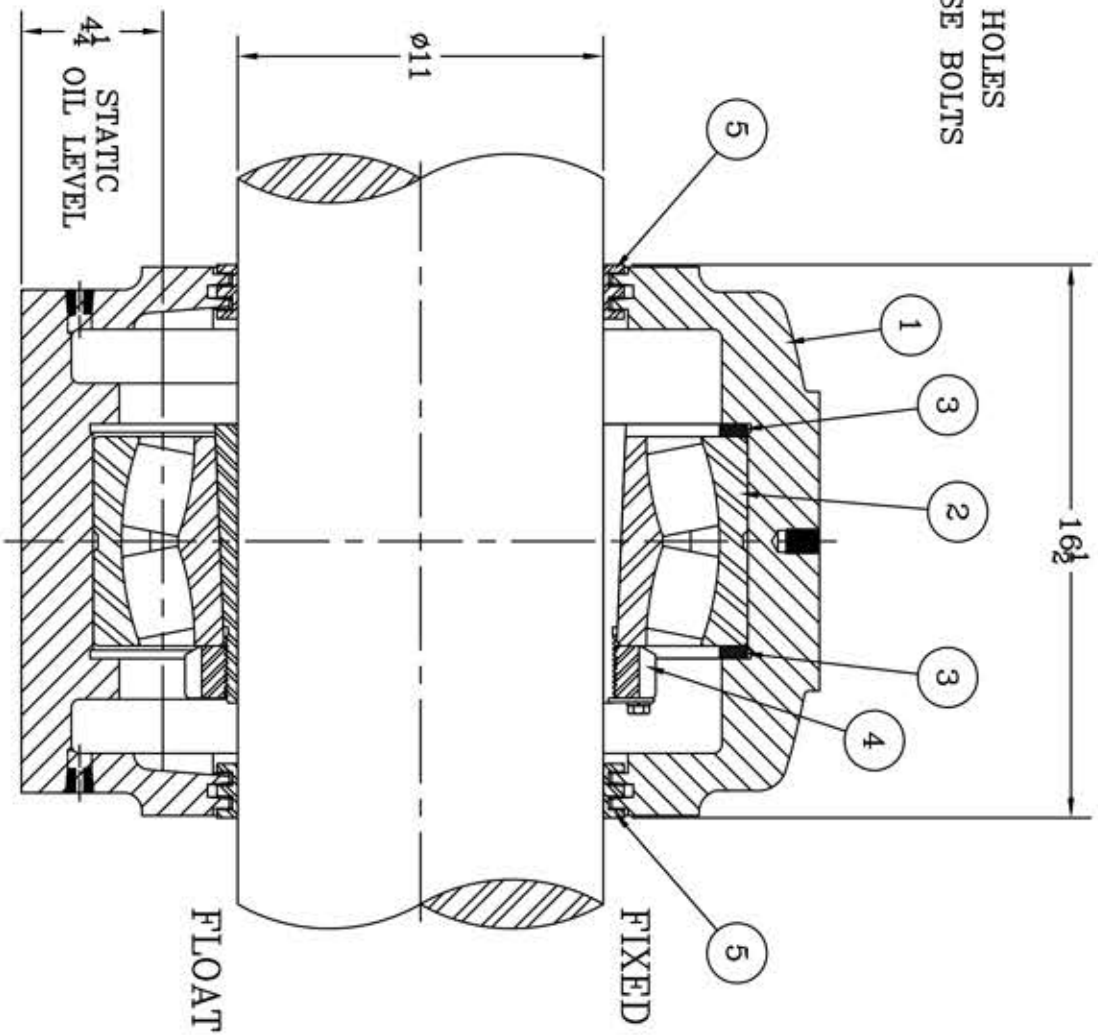


DRILLED & TAPPED FOR 3/4-10 N.C. EYEBOLT

(4) CORED HOLES FOR 1/8" BASE BOLTS



ITEM	DESCRIPTION	DETAIL	REQUIRED
1	HOUSING SDAFDF 3160K 11-00	C-	1 1
2	SPHERICAL ROLLER BEARING	23160K/W33	1 1
3	STABILIZING RING A-8975	A-12809	2 0
4	ADAPTER SNP-3160 11-00	24301	1 1
5	TRIPLE SEAL RING ER-825	A-11230	2 2
6	DOWEL	1/2 x 1" LONG	2 2
7	CAP BOLT HEX. HEAD GR.5	1 1/2-6 NC x 10" LONG	4 4
8	LOCKWASHER	1 1/2 SPLIT MED.	4 4
9	PIPE PLUG	1/2-14 NPT	5 5



HOUSING MATERIAL - DUCTILE IRON  
ASTM A536 GR 65-45-12

REVISIONS

SYMBOL	DESCRIPTION
C	16
D	32
E	63
F	125
G	250
J	500
K	1000

TOLERANCE: UNLESS OTHERWISE SPECIFIED  
FRACTIONS +- 1/32" ANGLES +- 0° 30'  
DECIMALS +- .005" WELD +- 1/16"  
CASTING +- 1/16"

A.I.S.I. STANDARD FINISHES

AN ALCO INDUSTRIES COMPANY  
BEARING PRODUCTS  
ODDESSA, TX. USA

SDAFDF 23160 K 11-00  
ASSEMBLY DRAWING

SCALE 1 = 4  
DRAWN PCF  
DATE 1/9/13  
CHK:

ASSEMBLY NO.  
DRAWING NO.  
C-35298