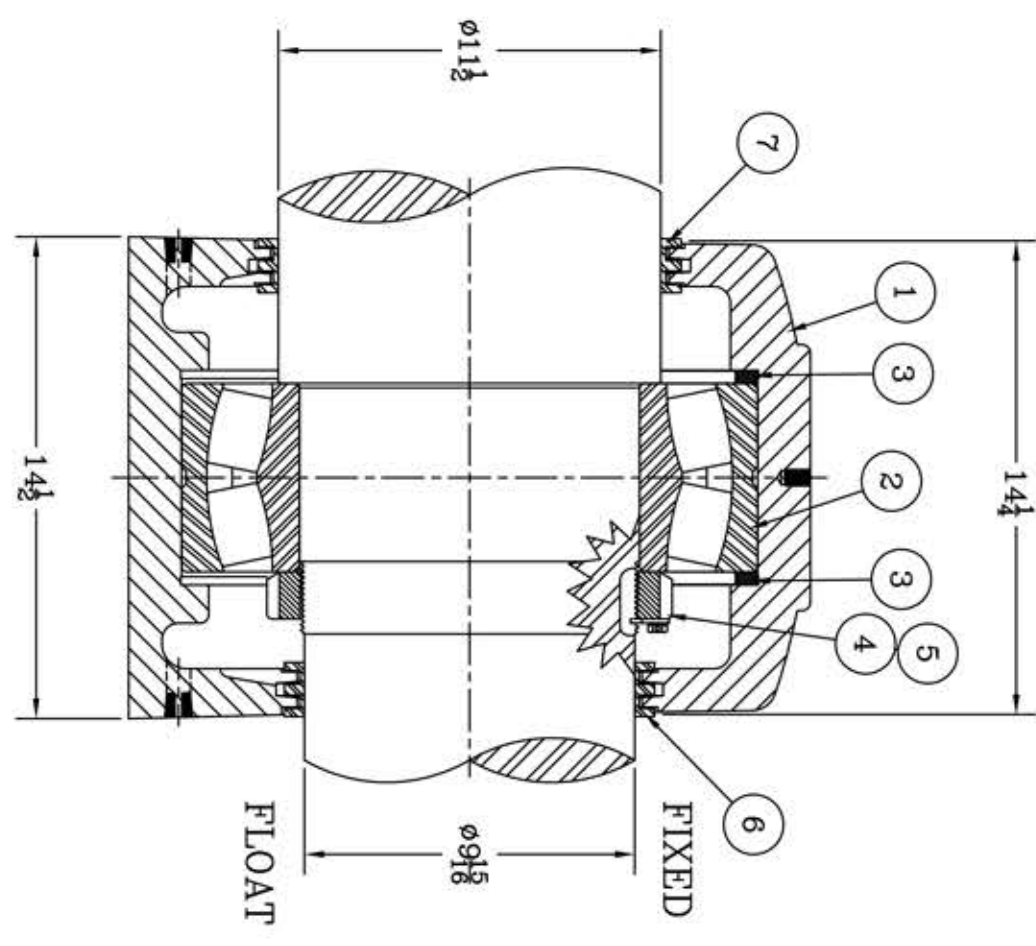
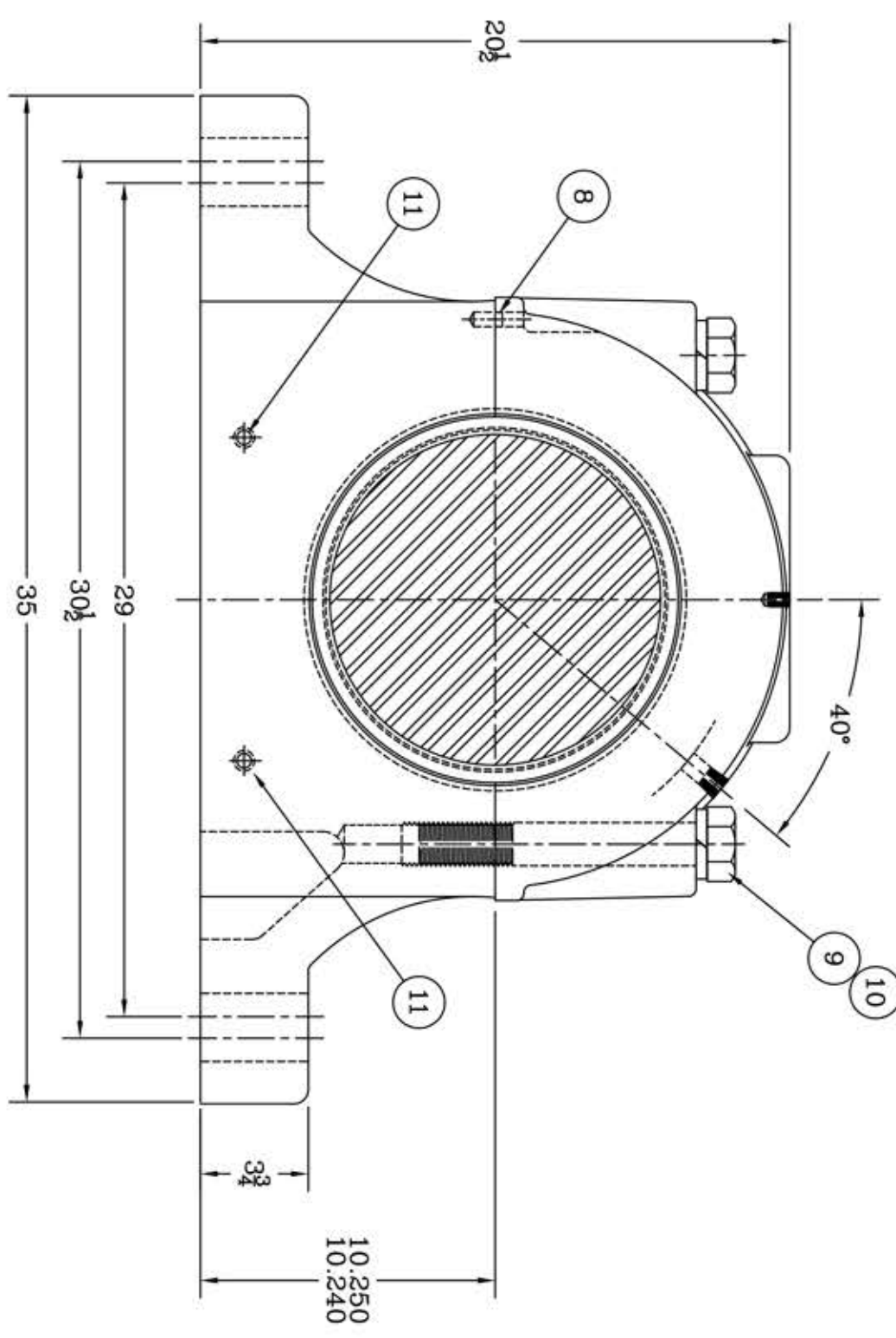
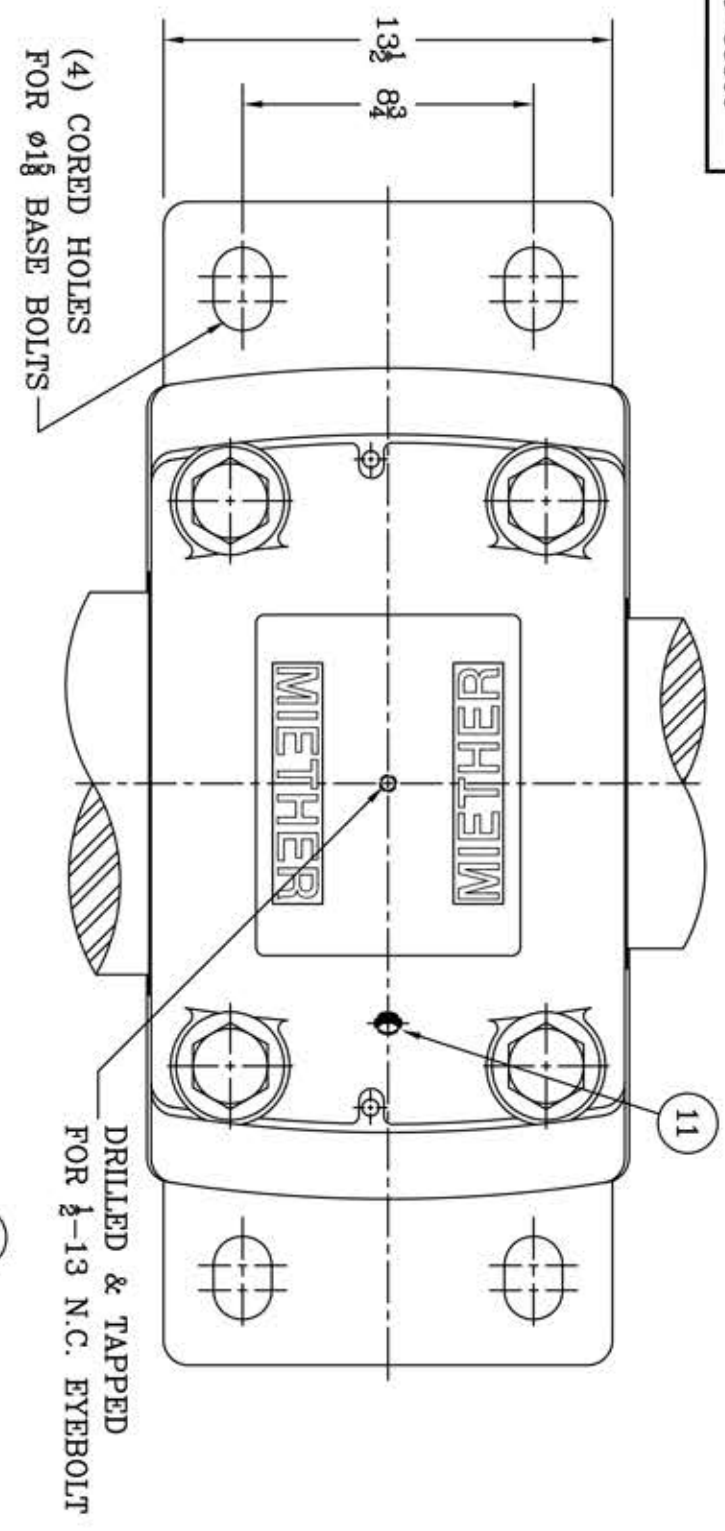


This drawing is the sole property of Miether Bearing Products and contains confidential and proprietary information. It is being provided to you for your use and may not be disclosed to any third party or used for any other purpose without Miether's prior written consent. The [materials] must be returned to the Company upon its demand. Your acceptance of these materials constitutes your acceptance of the foregoing terms.

C-35306



ITEM	DESCRIPTION	DETAIL	REQUIRED
1	HOUSING SDAFD 3152	C-	1 1
2	SPHERICAL ROLLER BEARING	23152/W-33	1 1
3	STABILIZING RING A5679	A-15611	2 0
4	LOCKNUT N-052	B-10049	1 1
5	LOCK PLATE P-52	A-10141	1 1
6	TRIPLE SEAL RING ER-845	A-15755	1 1
7	TRIPLE SEAL RING ER-832	A-11716	1 1
8	DOWEL	$\phi 1/2$ x 1" LONG	2 2
9	CAP BOLT HEX. HEAD GR.5	1 1/2-6 NC x 10" LONG	4 4
10	LOCKWASHER	1 1/2 SPLIT MED.	4 4
11	PIPE PLUG	1/2-14 NPT	5 5

HOUSING MATERIAL - DUCTILE IRON
ASTM A536 GR 65-45-12

REVISIONS

SYMBOL	MICRO-INCH VALUE	DESCRIPTION
V	16	
D	32	
E	63	
F	125	
G	250	
J	500	
K	1000	

TOLERANCE: UNLESS OTHERWISE SPECIFIED
FRACTIONS $\pm 1/32$ " ANGLES $\pm 0^\circ 30'$
DECIMALS $\pm .005$ WELD $\pm 1/16$ "
CASTING $\pm 1/16$ "

A.I.S.I. STANDARD FINISHES

AN ALCO INDUSTRIES COMPANY
BEARING PRODUCTS
ODESSA, TX. USA

SDAFD 23152	11-08 x 09-15
ASSEMBLY DRAWING	
SCALE 1 = 4	ASSEMBLY NO.
DRAWN PCF	DRAWING NO.
DATE 1/9/13	C-35306
CHK:	