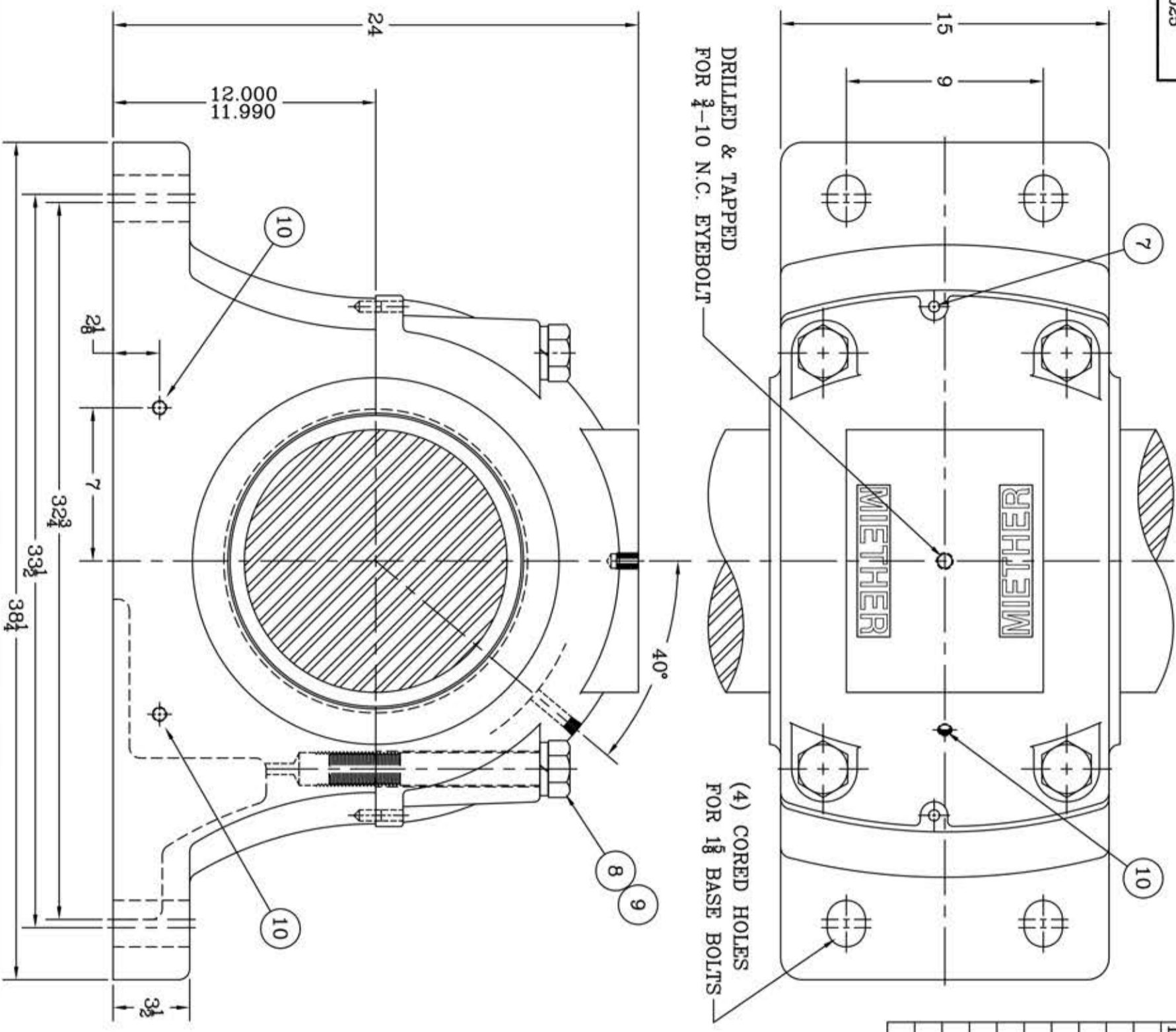
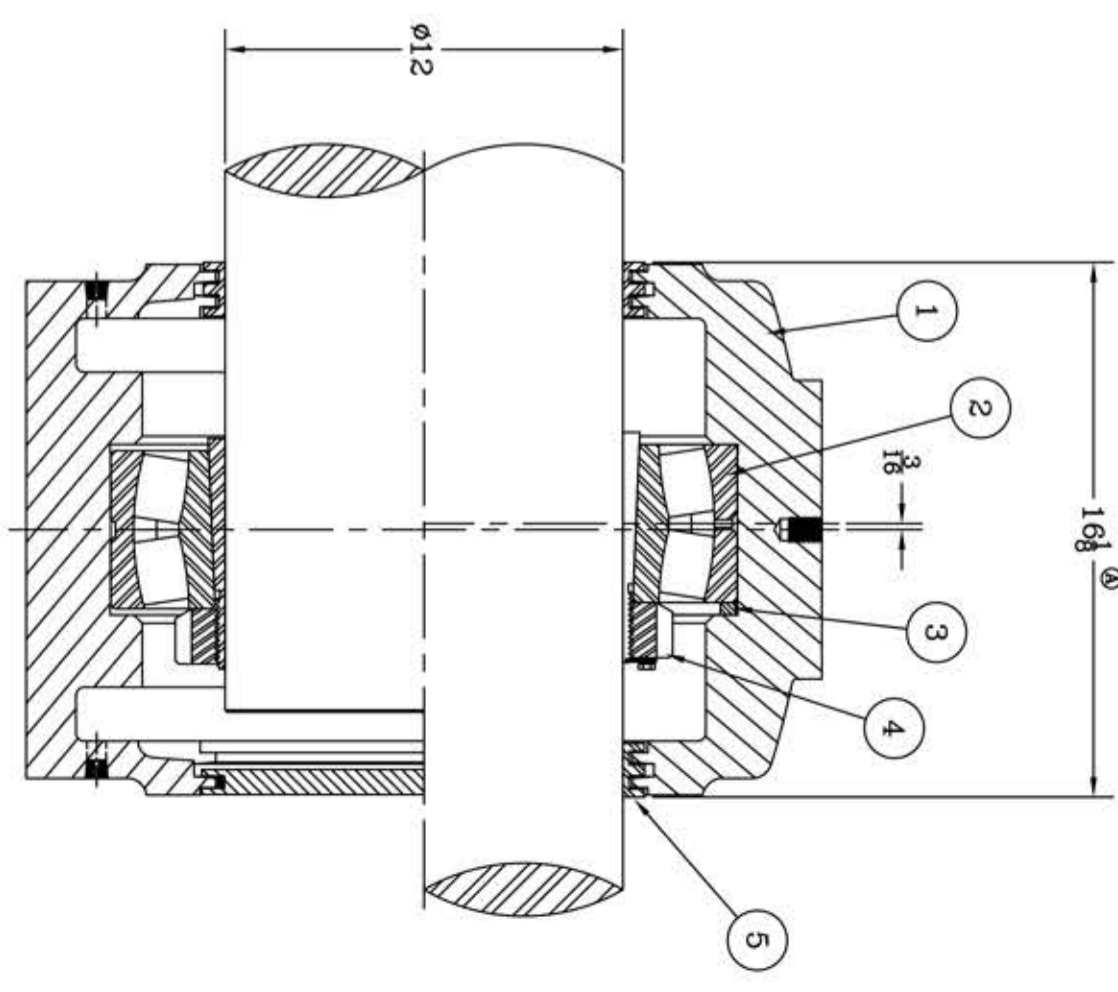


This drawing is the sole property of Miether Bearing Products and contains confidential and proprietary information. It is being provided to you for your use and may not be disclosed to any third party or used for any other purpose without Miether's prior written consent. The [materials] must be returned to the Company upon its demand. Your acceptance of these materials constitutes your acceptance of the foregoing terms.

C22025



ITEM	DESCRIPTION	DETAIL	REQUIRED
1	HOUSING SDAFD 064K 12-00	C-15274	1 1
2	SPHERICAL ROLLER BEARING	23064K/W33	1 1
3	STABILIZING RING A-8968	A-10482	1 0
4	ADAPTER SNP-3064 12-00	24278	1 1
5	TRIPLE SEAL RING ER-818	A-10481	2 2
6	END PLUG EP-17291	A-17291	OPT.
7	DOWEL	1/2 x 1" LONG	2 2
8	CAP BOLT HEX. HEAD	1 1/2-6 NC x 10" LONG	4 4
9	LOCKWASHER	1 1/2 SPLIT MED.	4 4
10	PIPE PLUG	3-18 NPT	5 5



REVISIONS	
SYMBOL	DESCRIPTION
✓	16
✓	32
✓	63
✓	125
✓	250
✓	500
✓	1000

TOLERANCE: UNLESS OTHERWISE SPECIFIED
 FRACTIONS $\pm 1/32"$ ANGLES $\pm 0^\circ 30'$
 DECIMALS $\pm .005$ WELD $\pm 1/16"$
 CASTING $\pm 1/16"$

A.I.S.I. STANDARD FINISHES

AN ALCO INDUSTRIES COMPANY
 BEARING PRODUCTS
 ODESSA, TX. USA

SDAFD 23064 K 12-00	ASSEMBLY DRAWING
SCALE 1 = 4	ASSEMBLY NO.
DRAWN PCF	DRAWING NO.
DATE 9/01/12	C22025
CHK:	