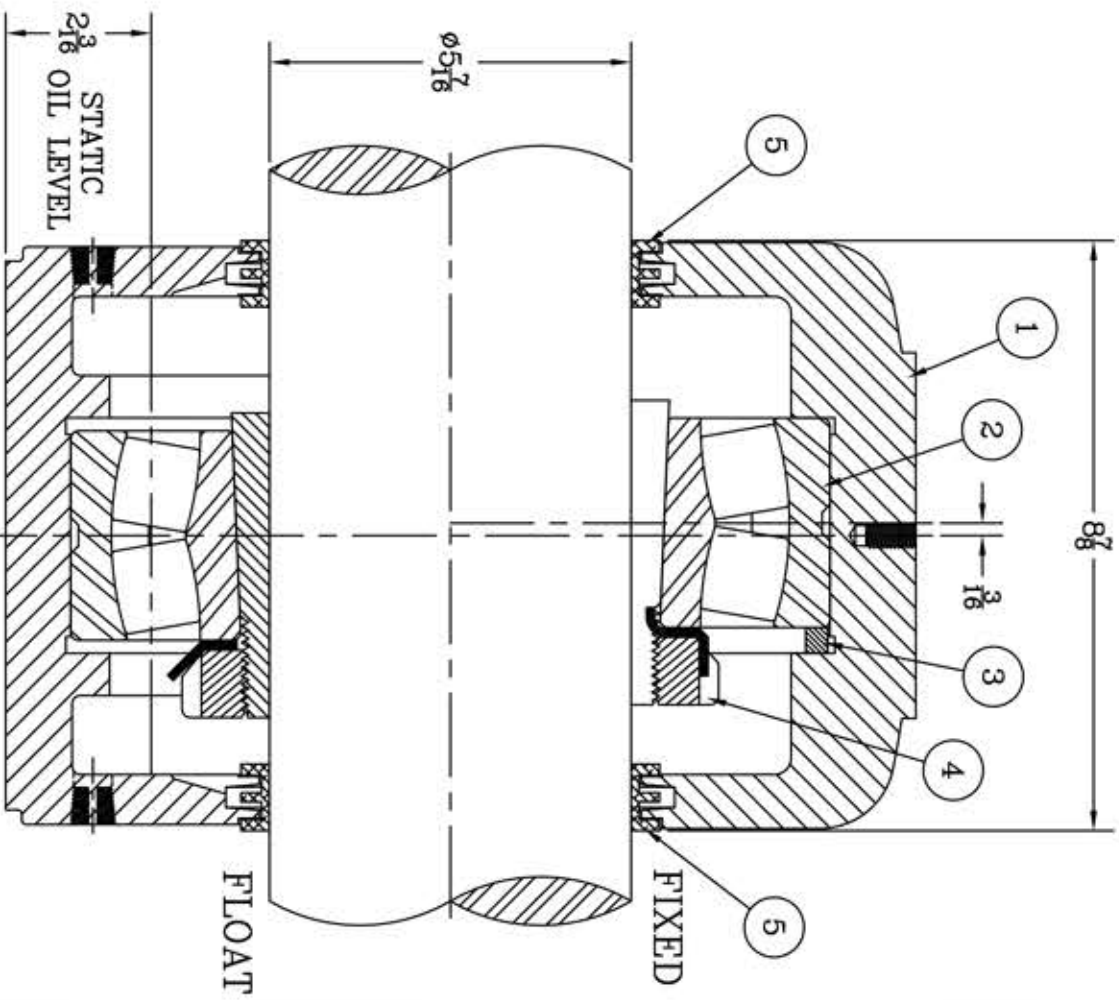
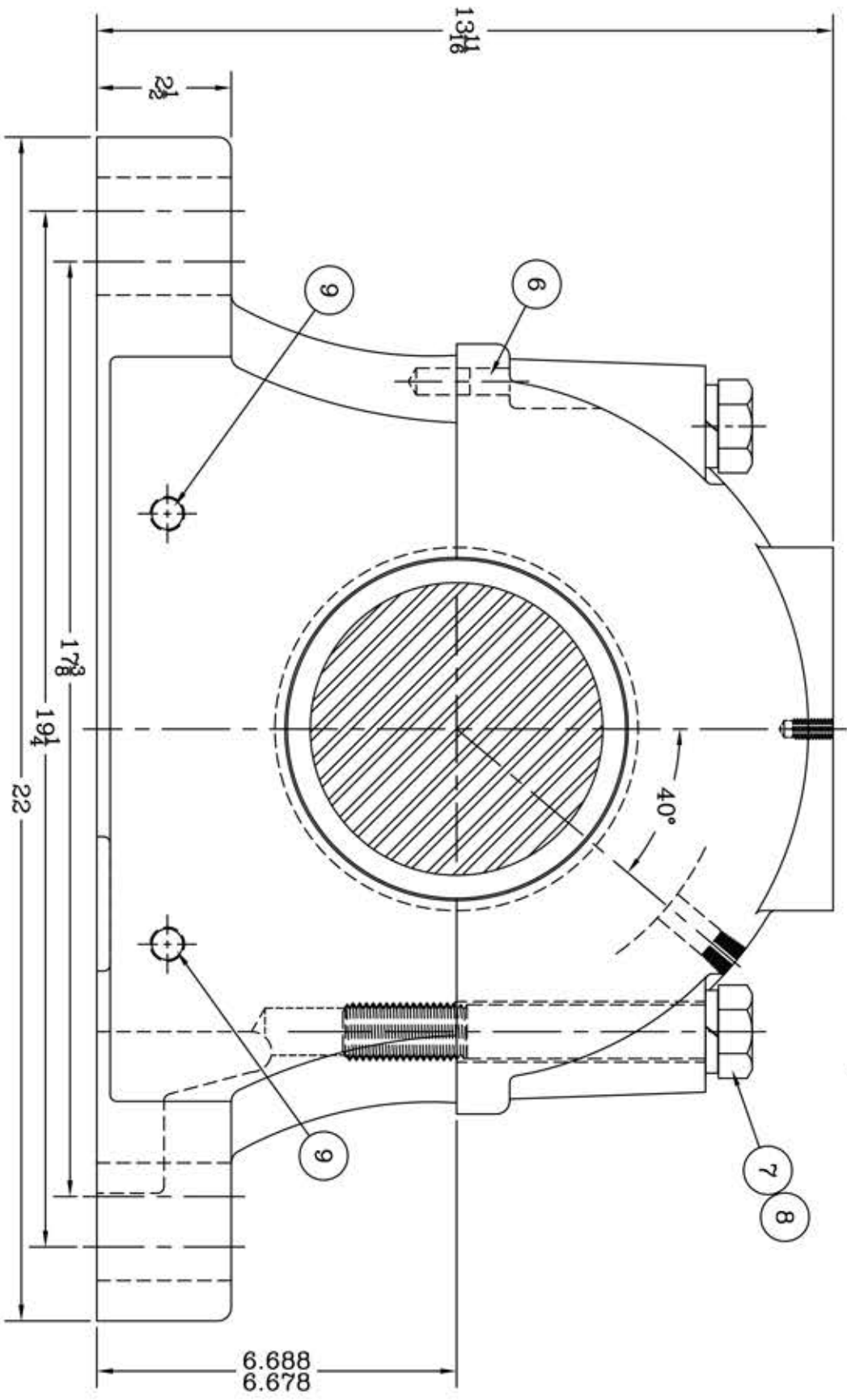
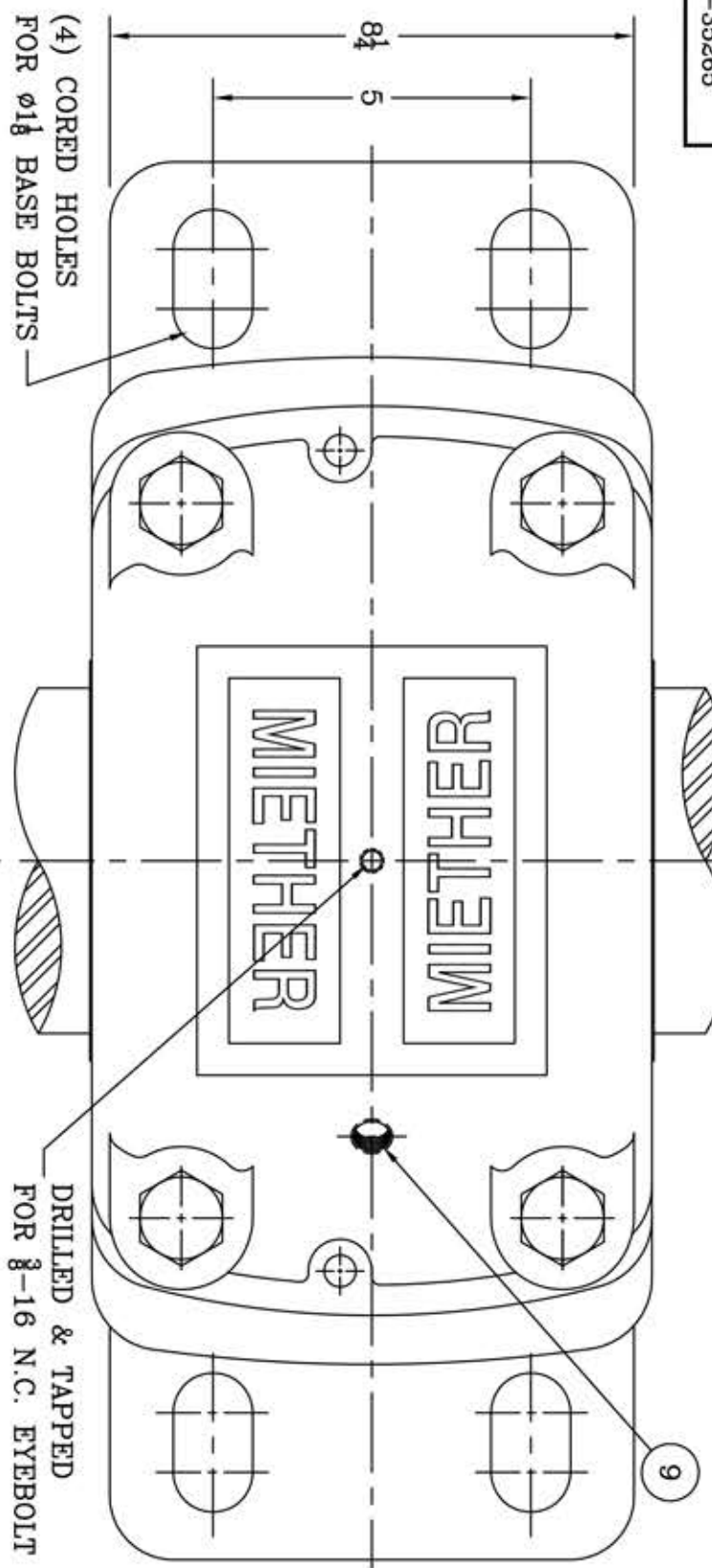


This drawing is the sole property of Miether Bearing Products and contains confidential and proprietary information. It is being provided to you for your use and may not be disclosed to any third party or used for any other purpose without Miether's prior written consent. The [materials] must be returned to the Company upon its demand. Your acceptance of these materials constitutes your acceptance of the foregoing terms.

C-35265



HOUSING MATERIAL - DUCTILE IRON
ASTM A536 GR 65-45-12

ITEM	DESCRIPTION	DETAIL	REQUIRED
			FED. FLT.
1	HOUSING SDAFD 532 05-07	C-	1 1
2	SPHERICAL ROLLER BEARING	22232K/W-33	1 1
3	STABILIZING RING SR-32-0	A-10608	1 0
4	ADAPTER SNW-32 05-07	24443	1 1
5	TRIPLE SEAL RING LER-130	A-10582	2 2
6	DOWEL	$\phi \frac{1}{2}$ x 1" LONG	2 2
7	CAP BOLT HEX. HEAD GR.5	1-8 NC x 7" LONG	4 4
8	LOCKWASHER	1" SPLIT MED.	4 4
9	PIPE PLUG	$\frac{3}{8}$ -18 NPT	5 5

REVISIONS

SYMBOL	DESCRIPTION
C	16
D	32
E	63
F	125
G	250
J	500
K	1000

TOLERANCE: UNLESS OTHERWISE SPECIFIED
 FRACTIONS $\pm 1/32$ " ANGLES $\pm 0^\circ 30'$
 DECIMALS $\pm .005$ WELD $\pm 1/16$ "
 CASTING $\pm 1/16$ "

A.I.S.I. STANDARD FINISHES



SDAFD 22532 05-07	ASSEMBLY DRAWING
SCALE HALF	ASSEMBLY NO.
DRAWN PCF	DRAWING NO.
DATE 1/7/13	CHK: C-35265