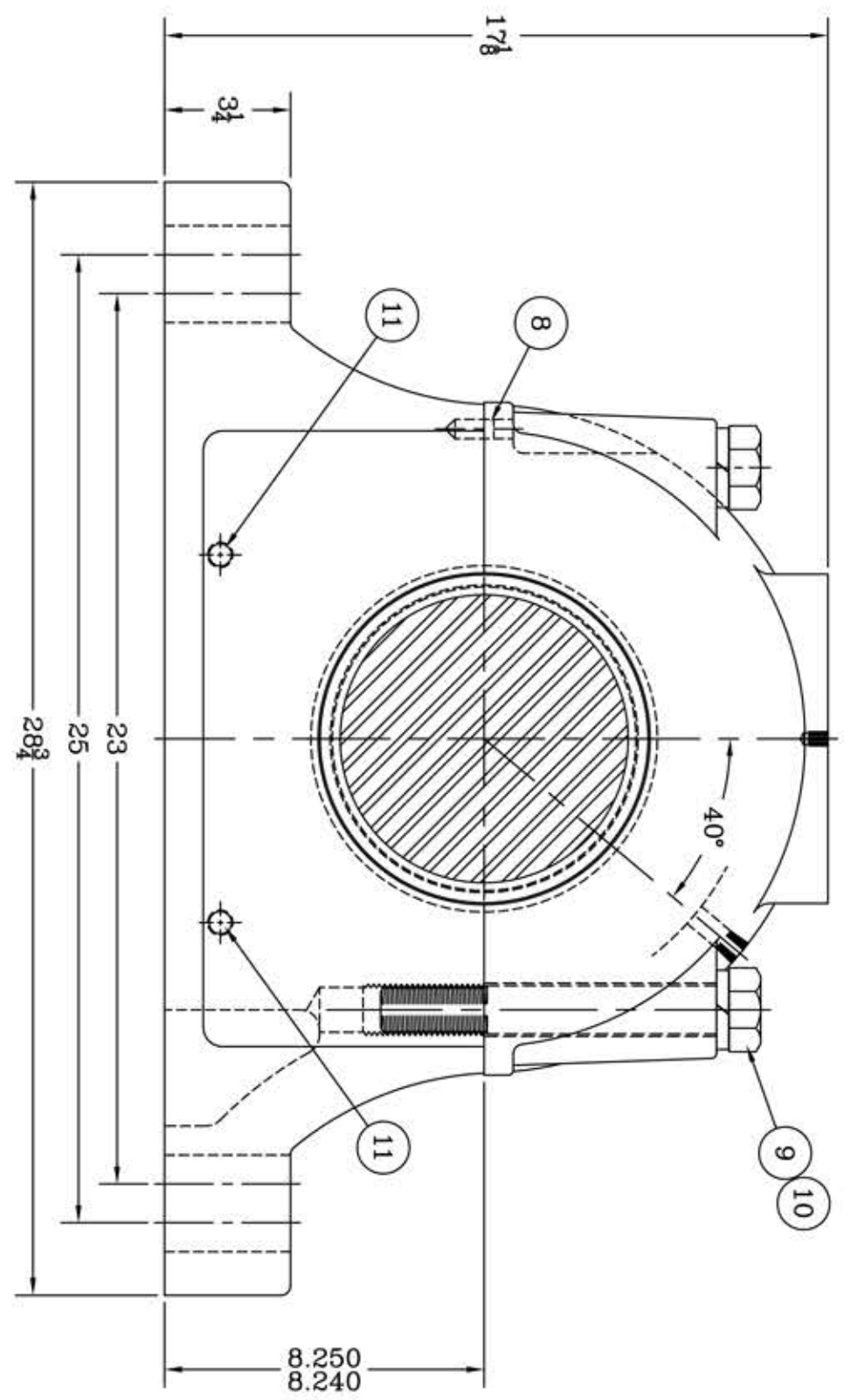
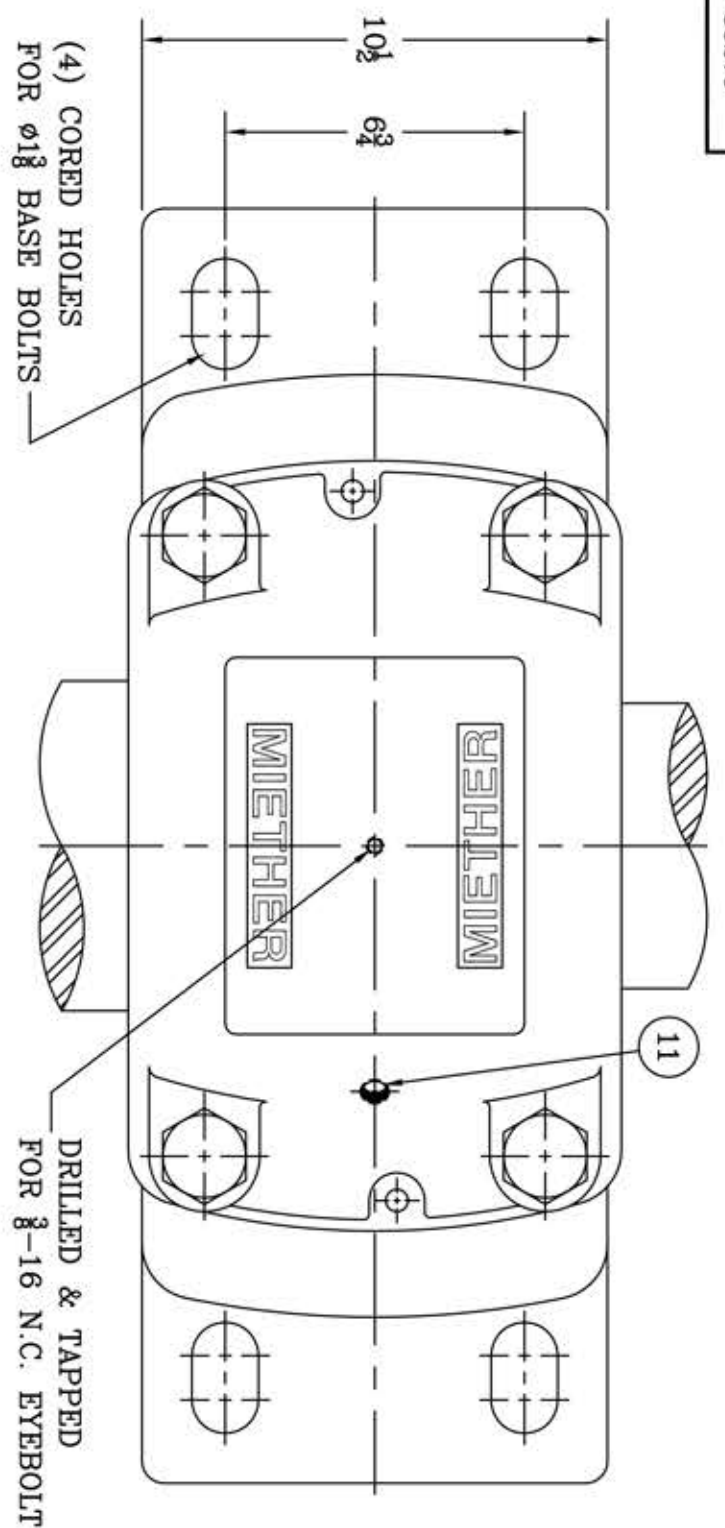
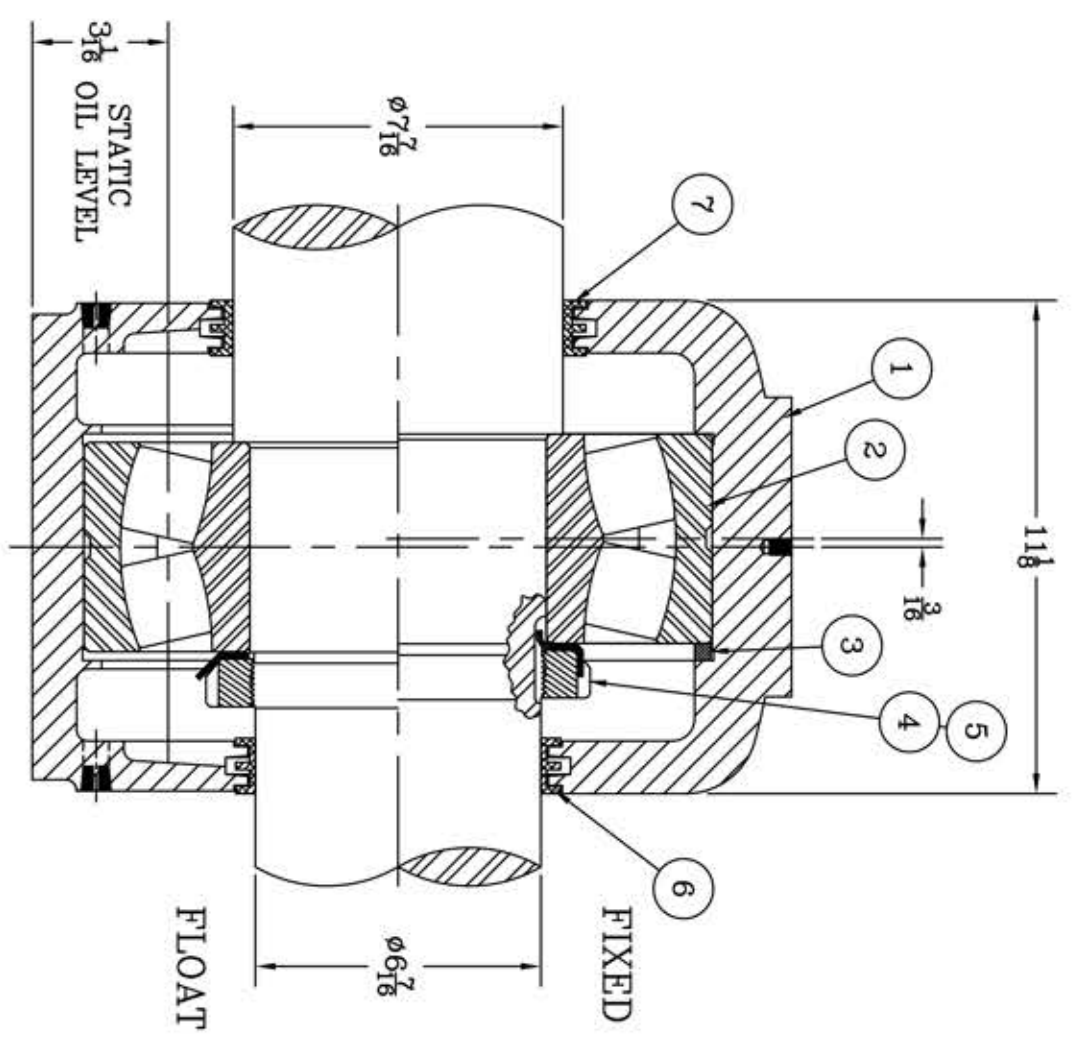


This drawing is the sole property of Miether Bearing Products and contains confidential and proprietary information. It is being provided to you for your use and may not be disclosed to any third party or used for any other purpose without Miether's prior written consent. The [materials] must be returned to the Company upon its demand. Your acceptance of these materials constitutes your acceptance of the foregoing terms.

C-35279



ITEM	DESCRIPTION	DETAIL	REQUIRED
1	HOUSING SDAFD 334	C-	1 1
2	SPHERICAL ROLLER BEARING	22334/W-33	1 1
3	STABILIZING RING SR-40-34	A-10611	1 0
4	LOCKNUT AN-34	B-10421	1 1
5	LOCKWASHER W-34	00251	1 1
6	TRIPLE SEAL RING LER-220	A-15435	1 1
7	TRIPLE SEAL RING LER-230	A-15434	1 1
8	DOWEL	$\phi 2$ x 1" LONG	2 2
9	CAP BOLT HEX. HEAD GR.5	1 ¹ / ₄ -7 NC x 9" LONG	4 4
10	LOCKWASHER	1 ¹ / ₄ SPLIT MED.	4 4
11	PIPE PLUG	$\frac{3}{8}$ -18 NPT	5 5



HOUSING MATERIAL - DUCTILE IRON
ASTM A536 GR 65-45-12

REVISIONS

SYMBOL	DESCRIPTION
C	16
D	32
E	63
F	125
G	250
J	500
K	1000

TOLERANCE: UNLESS OTHERWISE SPECIFIED

FRACTIONS $\pm 1/32$ " ANGLES $\pm 0^\circ 30'$

DECIMALS $\pm .005$ WELD $\pm 1/16$ "

CASTING $\pm 1/16$ "

A.I.S.I. STANDARD FINISHES

AN ALCO INDUSTRIES COMPANY
BEARING PRODUCTS
ODESSA, TX. USA

SDAFD 22334 07-07 x 06-07
ASSEMBLY DRAWING

SCALE 1 = 3 ASSEMBLY NO.

DRAWN PCF

DATE 1/9/13 DRAWING NO. C-35279

CHK: