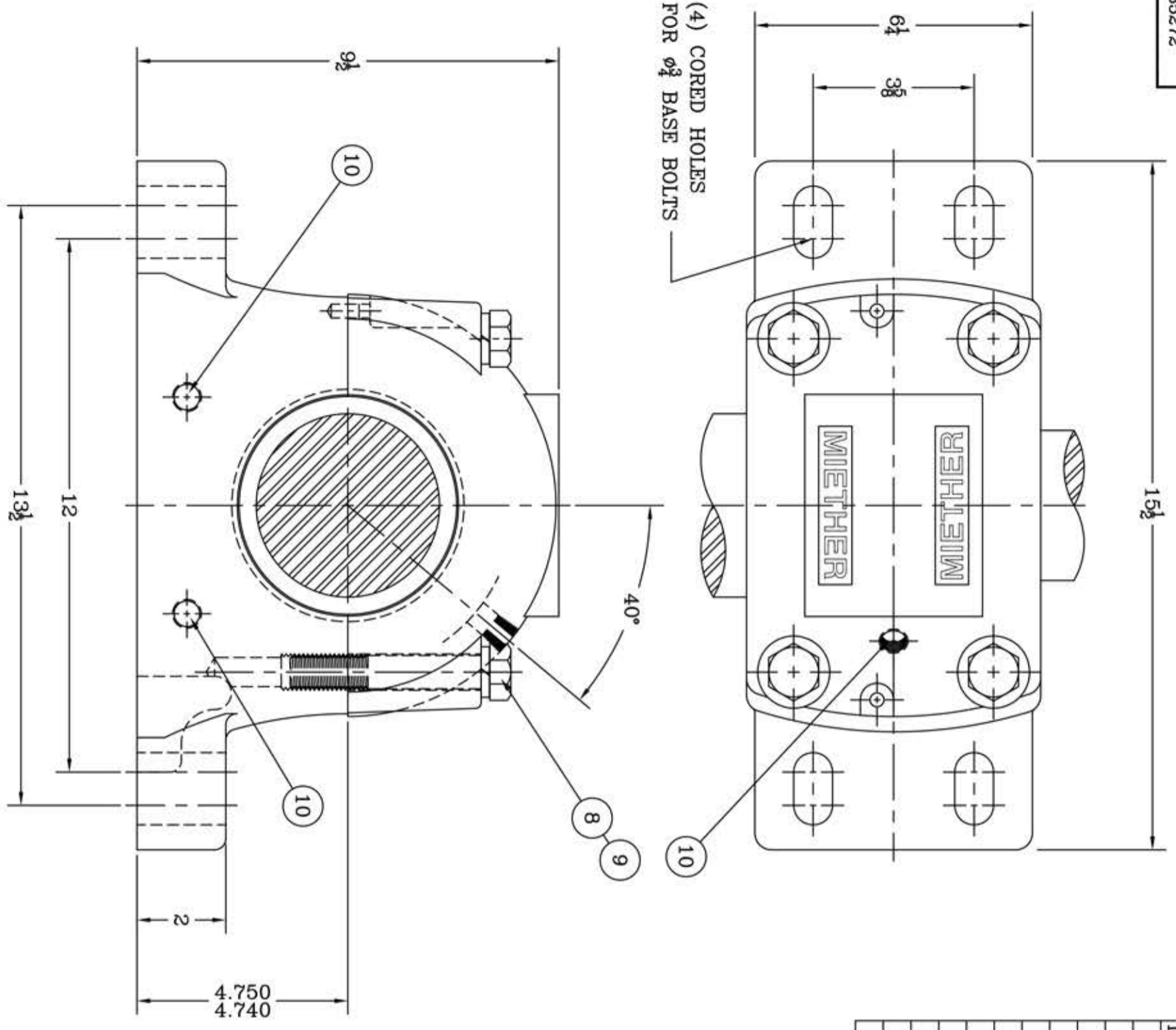
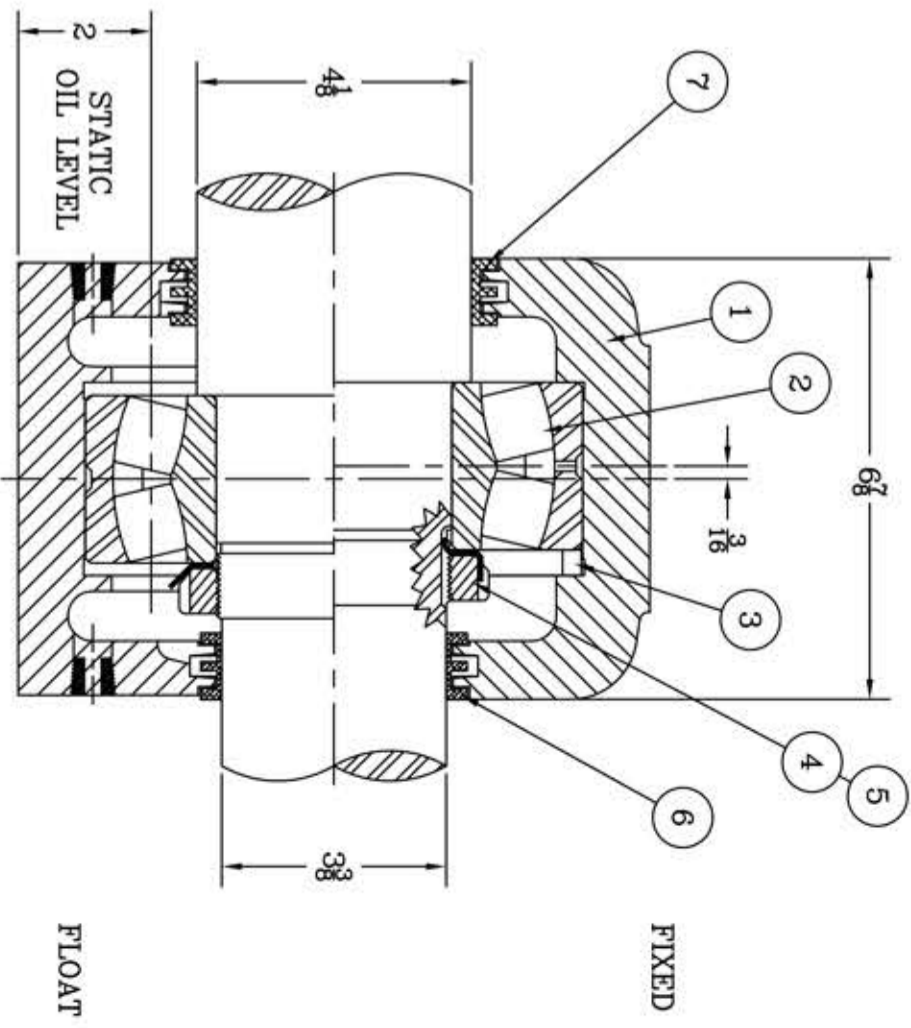


This drawing is the sole property of Miether Bearing Products and contains confidential and proprietary information. It is being provided to you for your use and may not be disclosed to any third party or used for any other purpose without Miether's prior written consent. The [materials] must be returned to the Company upon its demand. Your acceptance of these materials constitutes your acceptance of the foregoing terms.

C-35272



| ITEM | DESCRIPTION | DETAIL | REQUIRED |
|------|--------------------------|----------------------|----------|
| 1 | HOUSING SDAFD 318 | C- | 1 1 |
| 2 | SPHERICAL ROLLER BEARING | 22318 W33 | 1 1 |
| 3 | STABILIZING RING | SR 21-18 | 1 0 |
| 4 | LOCKNUT | AN-18 | 1 1 |
| 5 | LOCKWASHER | W-18 | 1 1 |
| 6 | TRIPLE SEAL RING | LER-191 | 1 1 |
| 7 | TRIPLE SEAL RING | LER-112 | 1 1 |
| 8 | CAP BOLT HEX. HEAD GR.5 | 3-10 NC x 4 1/2 LONG | 4 4 |
| 9 | LOCKWASHER | 3 SPLIT MED. | 4 4 |
| 10 | PIPE PLUG | 3-18 NPT | 5 5 |
| 11 | | | |



HOUSING MATERIAL - DUCTILE IRON
ASTM A536 GR 65-45-12

REVISIONS

| SYMBOL | DESCRIPTION |
|--------|-------------|
| C | ... |
| D | ... |
| E | ... |
| F | ... |
| G | ... |
| J | ... |
| K | ... |

TOLERANCE: UNLESS OTHERWISE SPECIFIED
FRACTIONS +- 1/32" ANGLES +- 0° 30'
DECIMALS +- .005" WELD +- 1/16"
CASTING +- 1/16"

A.I.S.I. STANDARD FINISHES

| MICRO-INCH | VALUE |
|------------|-------|
| 16 | 32 |
| 63 | 125 |
| 250 | 500 |
| 1000 | 1000 |

AN ALCO INDUSTRIES COMPANY
BEARING PRODUCTS
ODESSA, TX USA

SDAFD 22318 04-02 x 03-06
ASSEMBLY DRAWING

| SCALE | HALF | ASSEMBLY NO. |
|-------|--------|--------------|
| DRAWN | PCF | |
| DATE | 1/8/13 | DRAWING NO. |
| CHK: | | C-35272 |