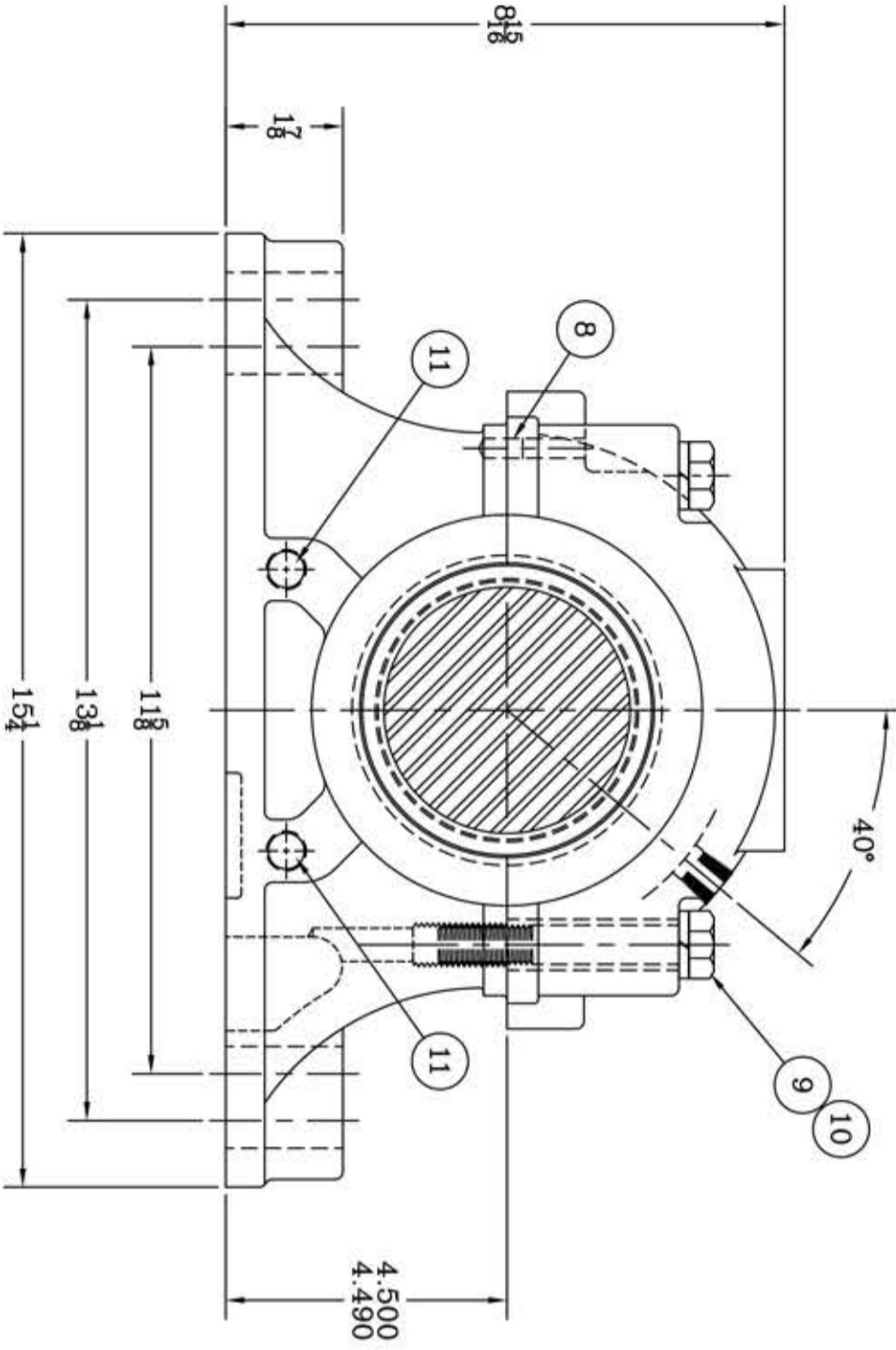
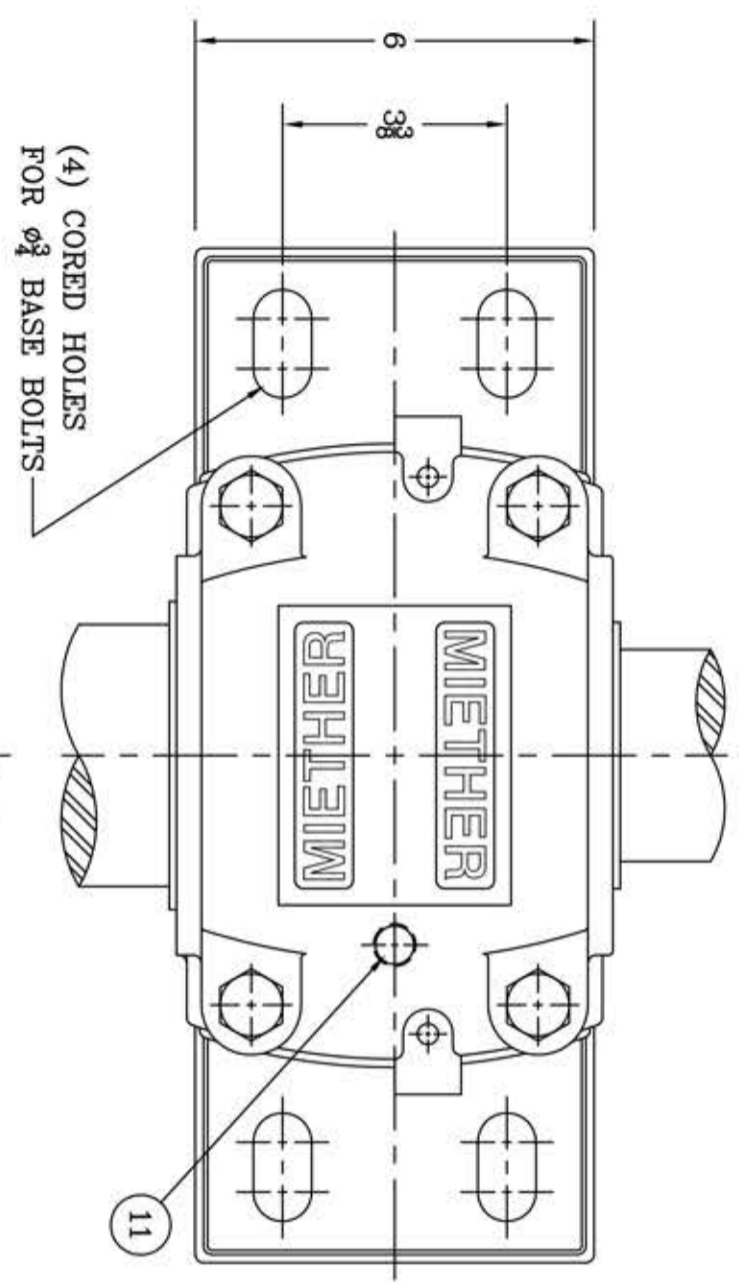
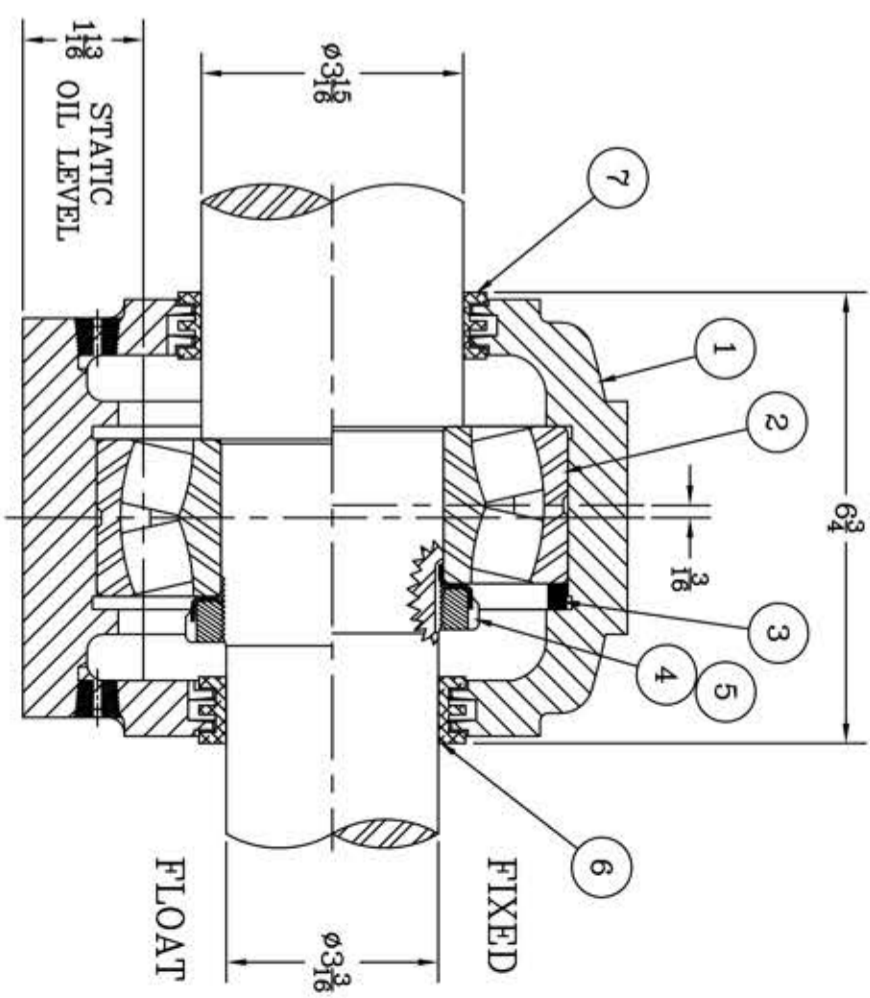


This drawing is the sole property of Miether Bearing Products and contains confidential and proprietary information. It is being provided to you for your use and may not be disclosed to any third party or used for any other purpose without Miether's prior written consent. The [materials] must be returned to the Company upon its demand. Your acceptance of these materials constitutes your acceptance of the foregoing terms.



ITEM	DESCRIPTION	DETAIL	REQUIRED
1	HOUSING SDAFD 317	C-	1 1
2	SPHERICAL ROLLER BEARING	22317/W-33	1 1
3	STABILIZING RING	SR-20-17 A-10602	1 0
4	LOCKNUT	AN-17 B-11939	1 1
5	LOCKWASHER	W-17 00	1 1
6	TRIPLE SEAL RING	LER-188 A-11797	1 1
7	TRIPLE SEAL RING	LER-109 A-10495	1 1
8	DOWEL	$\phi 7/8$ x $3/8$ LONG	2 2
9	CAP BOLT HEX. HEAD GR.5	$3/8$ -11 NC x 4" LONG	4 4
10	LOCKWASHER	$3/8$ SPLIT MED.	4 4
11	PIPE PLUG	$3/8$ -18-NPT	5 5



HOUSING MATERIAL - DUCTILE IRON
ASTM A536 GR 65-45-12

REVISIONS

SYMBOL	DESCRIPTION
C	...
D	...
E	...
F	...
G	...
J	...
K	...

MICRO-INCH VALUE: 16 32 63 125 250 500 1000
 TOLERANCE: UNLESS OTHERWISE SPECIFIED
 FRACTIONS $\pm 1/32$ " ANGLES $\pm 0^\circ 30'$
 DECIMALS $\pm .005$ " WELD $\pm 1/16$ "
 CASTING $\pm 1/16$ "

AN ALCO INDUSTRIES COMPANY
BEARING PRODUCTS
ODESSA, TX USA

SDAFD 22317 03-15 x 03-03
ASSEMBLY DRAWING

SCALE HALF ASSEMBLY NO.
DRAWN PCF
DATE 1/8/13
CHK: C-35271