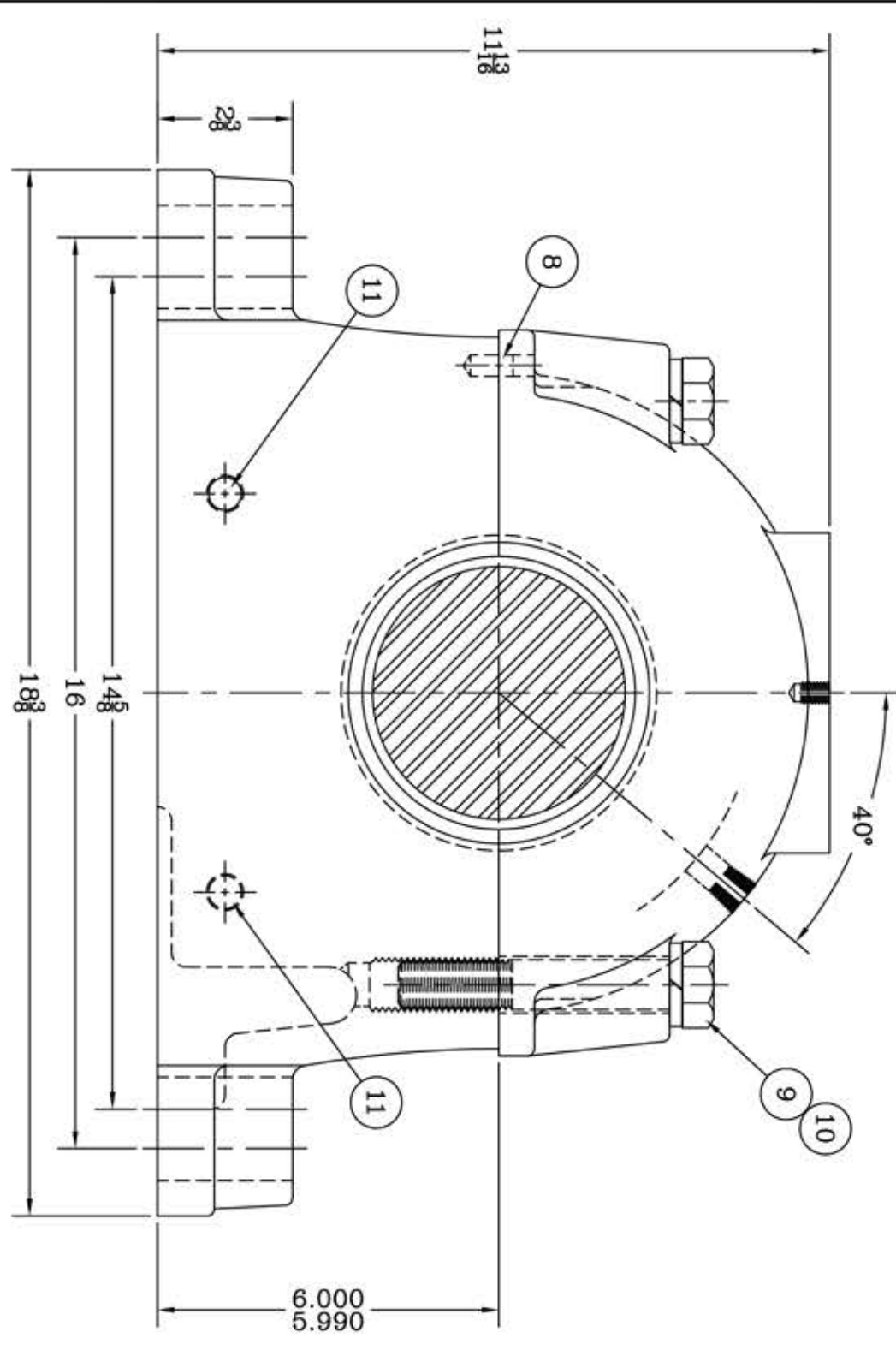
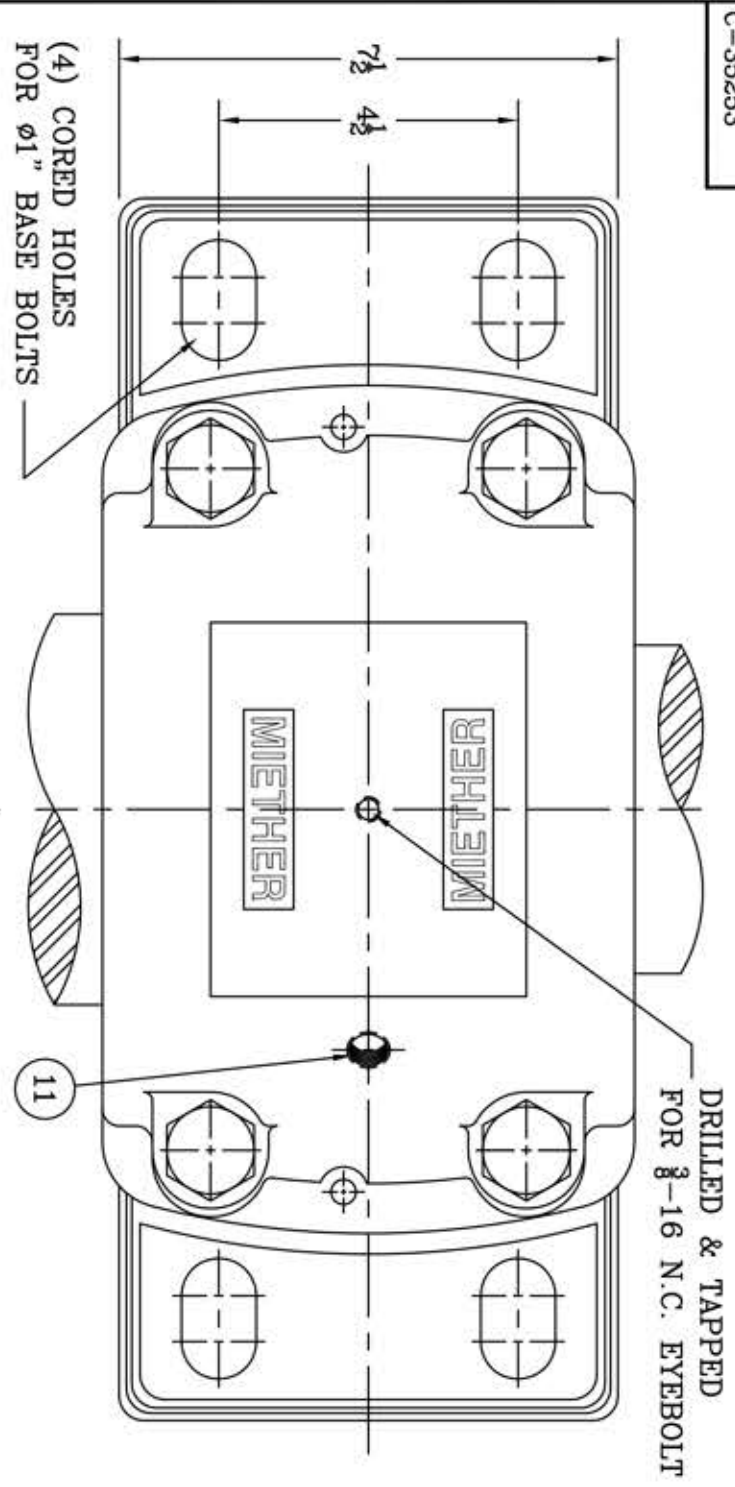
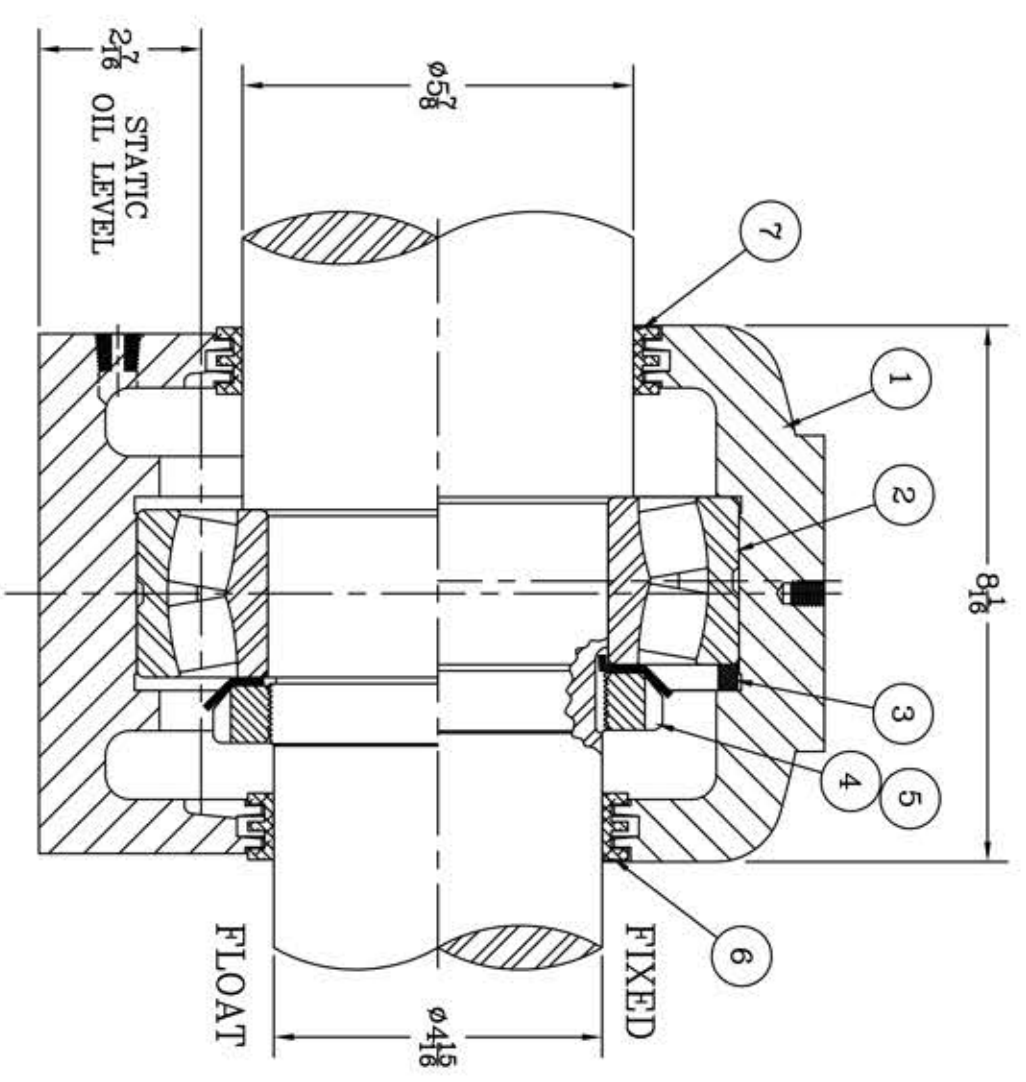


This drawing is the sole property of Miether Bearing Products and contains confidential and proprietary information. It is being provided to you for your use and may not be disclosed to any third party or used for any other purpose without Miether's prior written consent. The [materials] must be returned to the Company upon its demand. Your acceptance of these materials constitutes your acceptance of the foregoing terms.

C-35253



ITEM	DESCRIPTION	DETAIL	REQUIRED
1	HOUSING SDAFD 226	C-	1 1
2	SPHERICAL ROLLER BEARING	22226/W-33	1 1
3	STABILIZING RING SR-26-0	A-10605	1 0
4	LOCKNUT AN-26	B-10417	1 1
5	LOCKWASHER W-26	00247	1 1
6	TRIPLE SEAL RING LER-122	A-10499	1 1
7	TIRPLE SEAL RING LER-136	A-10500	1 1
8	DOWEL	$\phi 8 \times \frac{3}{4}$ LONG	2 2
9	CAP BOLT HEX. HEAD GR.5	$\frac{7}{8}$ -10 NC x 5" LONG	4 4
10	LOCKWASHER	$\frac{7}{8}$ SPLT MED.	4 4
11	PIPE PLUG	$\frac{3}{8}$ -18 NPT	3 3



REVISIONS

SYMBOL	MICRO-INCH VALUE	DESCRIPTION
V	16	
D	32	
E	63	
F	125	
G	250	
J	500	
K	1000	

TOLERANCE: UNLESS OTHERWISE SPECIFIED

FRACTIONS $\pm 1/32$ " ANGLES $\pm 0^\circ 30'$

DECIMALS $\pm .005$ " WELD $\pm 1/16$ "

CASTING $\pm 1/16$ "

A.I.S.I. STANDARD FINISHES

AN ALCO INDUSTRIES COMPANY
BEARING PRODUCTS
ODESSA, TX. USA

SDAFD 22226 05-14 x 04-15
ASSEMBLY DRAWING

SCALE HALF
DRAWN PCF
DATE 1/7/13
CHK:

ASSEMBLY NO.
DRAWING NO.
C-35253