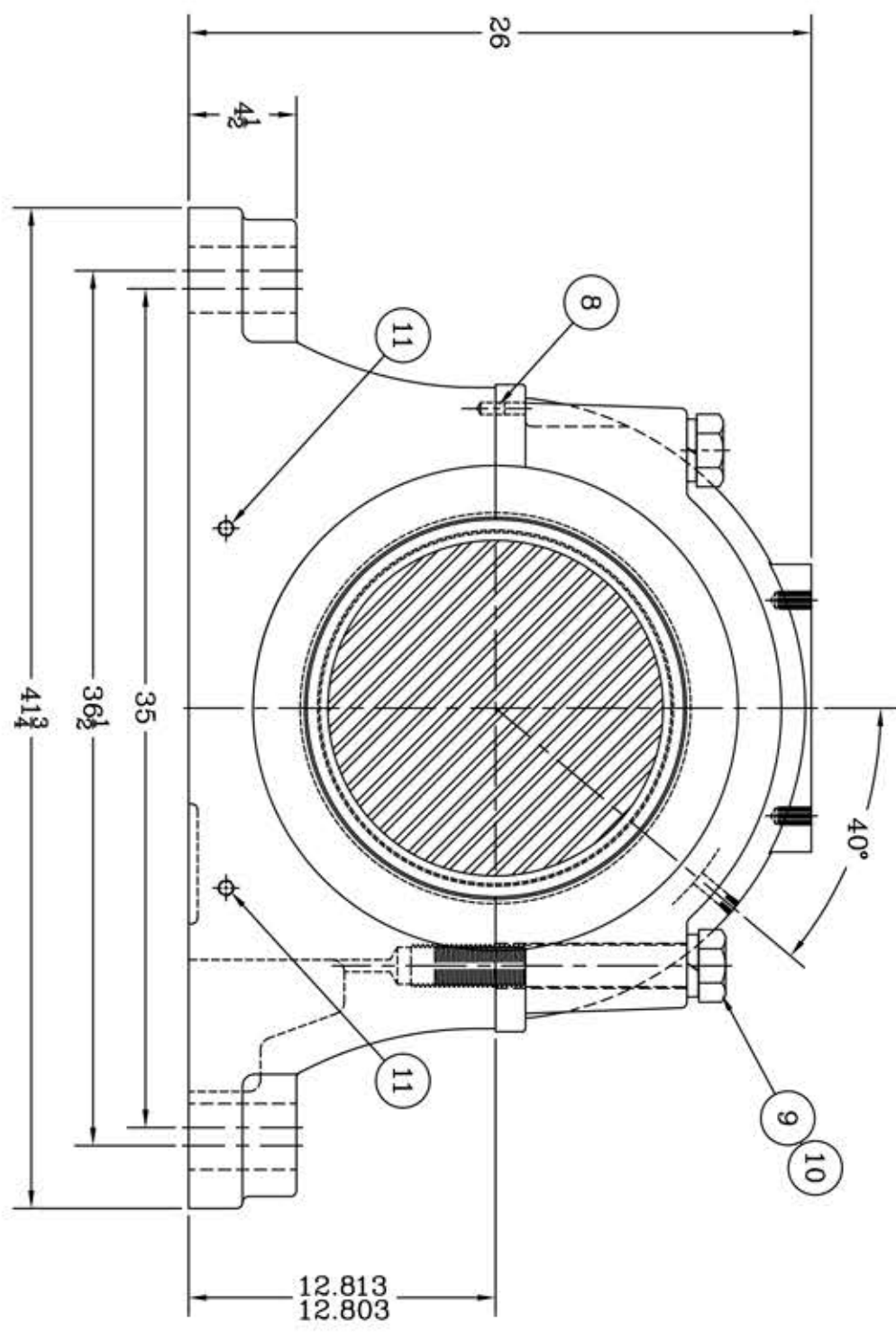
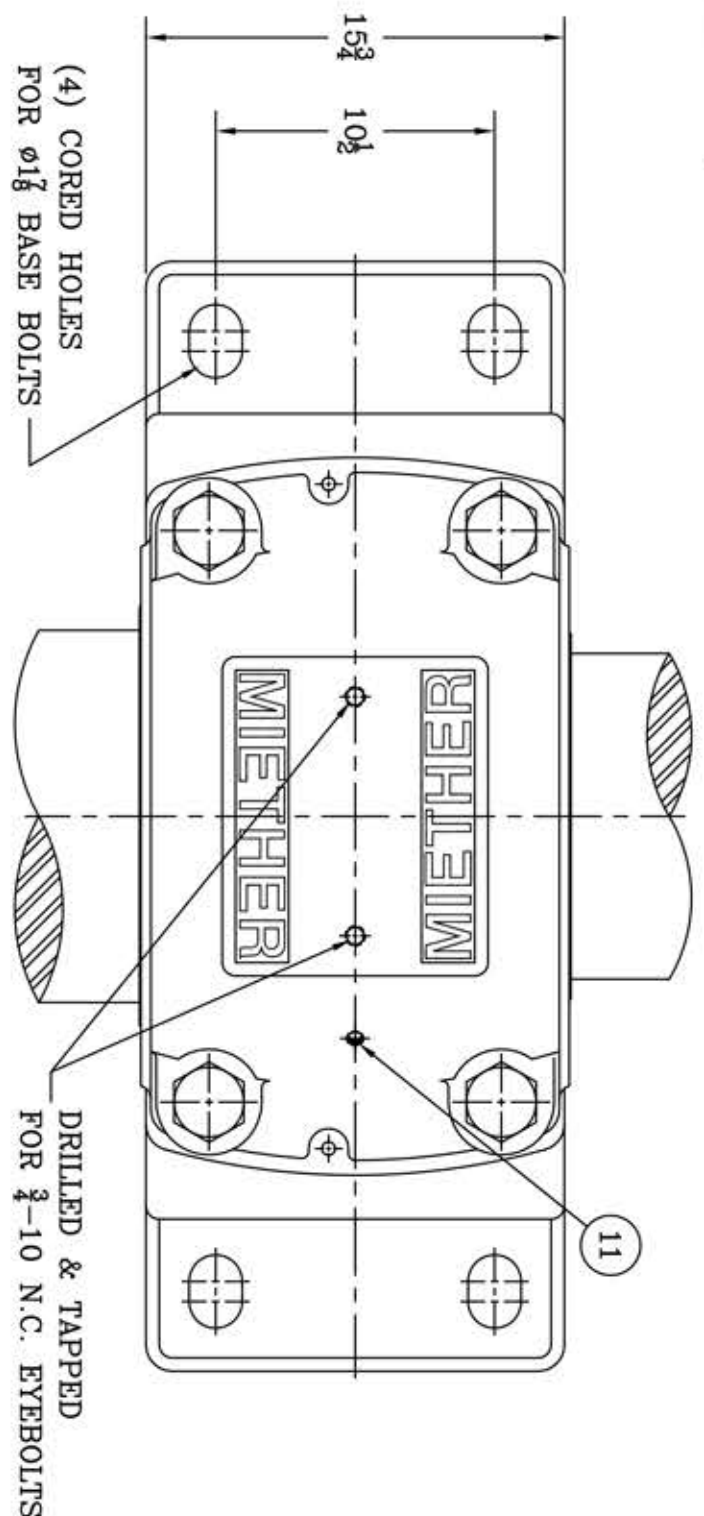
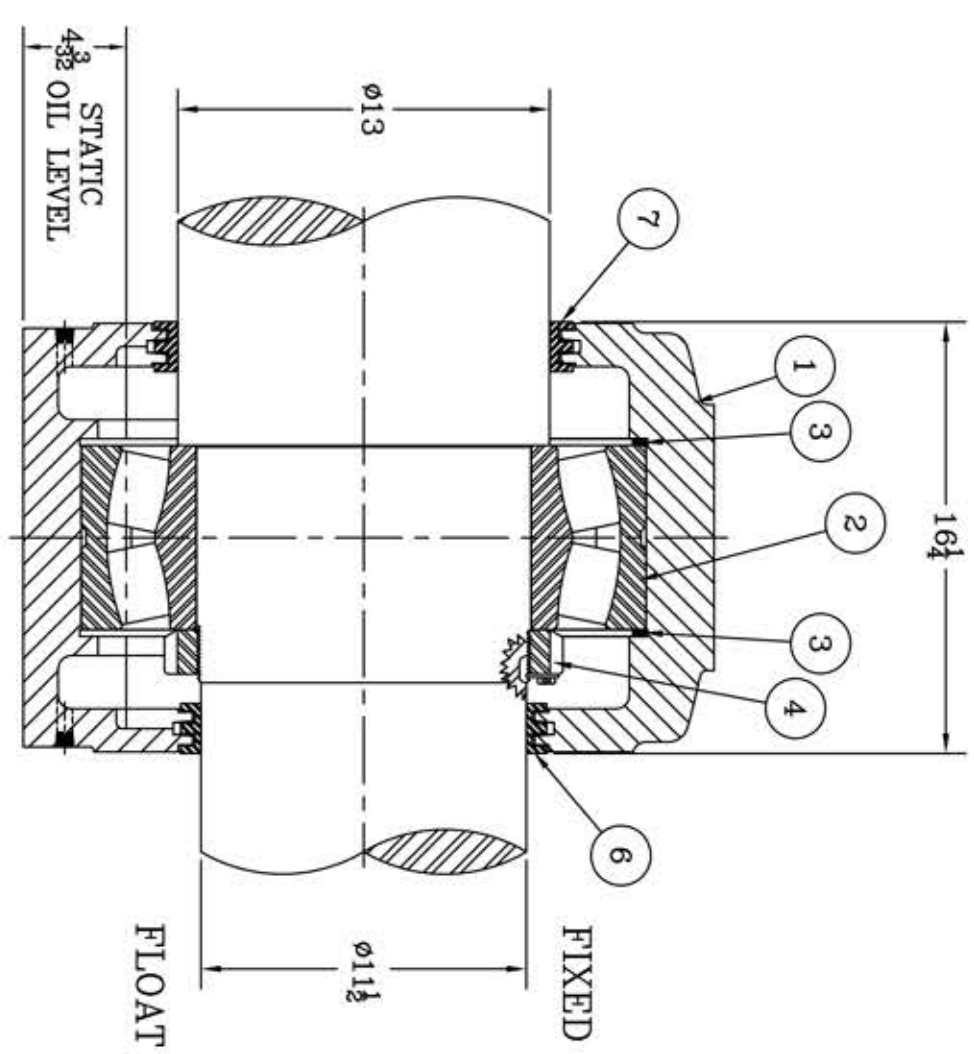


This drawing is the sole property of Miether Bearing Products and contains confidential and proprietary information. It is being provided to you for your use and may not be disclosed to any third party or used for any other purpose without Miether's prior written consent. The [materials] must be returned to the Company upon its demand. Your acceptance of these materials constitutes your acceptance of the foregoing terms.

C-33949



| ITEM | DESCRIPTION | DETAIL | REQUIRED |
|------|-------------------------------|-----------------------|----------|
| 1 | HOUSING SDAF 3260 13 x 11 1/2 | C- | 1 1 |
| 2 | SPHERICAL ROLLER BEARING | 23164/W-33 | 1 1 |
| 3 | STABILIZING RING A-8970-2 | A-29630 | 2 0 |
| 4 | LOCKNUT N-060 | B-10051 | 1 1 |
| 5 | LOCKPLATE P-60 | A-10155 | 1 1 |
| 6 | TRIPPLE SEAL RING ER-856 | A-16010 | 1 1 |
| 7 | TRIPPLE SEAL RING ER-846 | A-11637 | 1 1 |
| 8 | DOWEL | $\phi 1/2$ x 1" LONG | 2 2 |
| 9 | CAP BOLT HEX. HEAD | 1 1/4-5 NC x 11" LONG | 4 4 |
| 10 | LOCKWASHER | 1 1/4 SPLIT MED. | 4 4 |
| 11 | PIPE PLUG | 3/8-18 NPT | 5 5 |



| REVISIONS | |
|-----------|-------------|
| SYMBOL | DESCRIPTION |
| ✓ | 16 |
| ✓ | 32 |
| ✓ | 63 |
| ✓ | 125 |
| ✓ | 250 |
| ✓ | 500 |
| ✓ | 1000 |

TOLERANCE: UNLESS OTHERWISE SPECIFIED

FRACTIONS $\pm 1/32$ " ANGLES $\pm 0^\circ 30'$

DECIMALS $\pm .005$ " WELD $\pm 1/16$ "

CASTING $\pm 1/16$ "

A.S.I. STANDARD FINISHES

AN ALCO INDUSTRIES COMPANY

BEARING PRODUCTS

ODESSA, TX. USA

SDAF 23260 13-00 x 11-08

ASSEMBLY DRAWING

SCALE NTS

DRAWN KAB

DATE 10/29/09

CHK:

ASSEMBLY NO.

DRAWING NO. C-33949