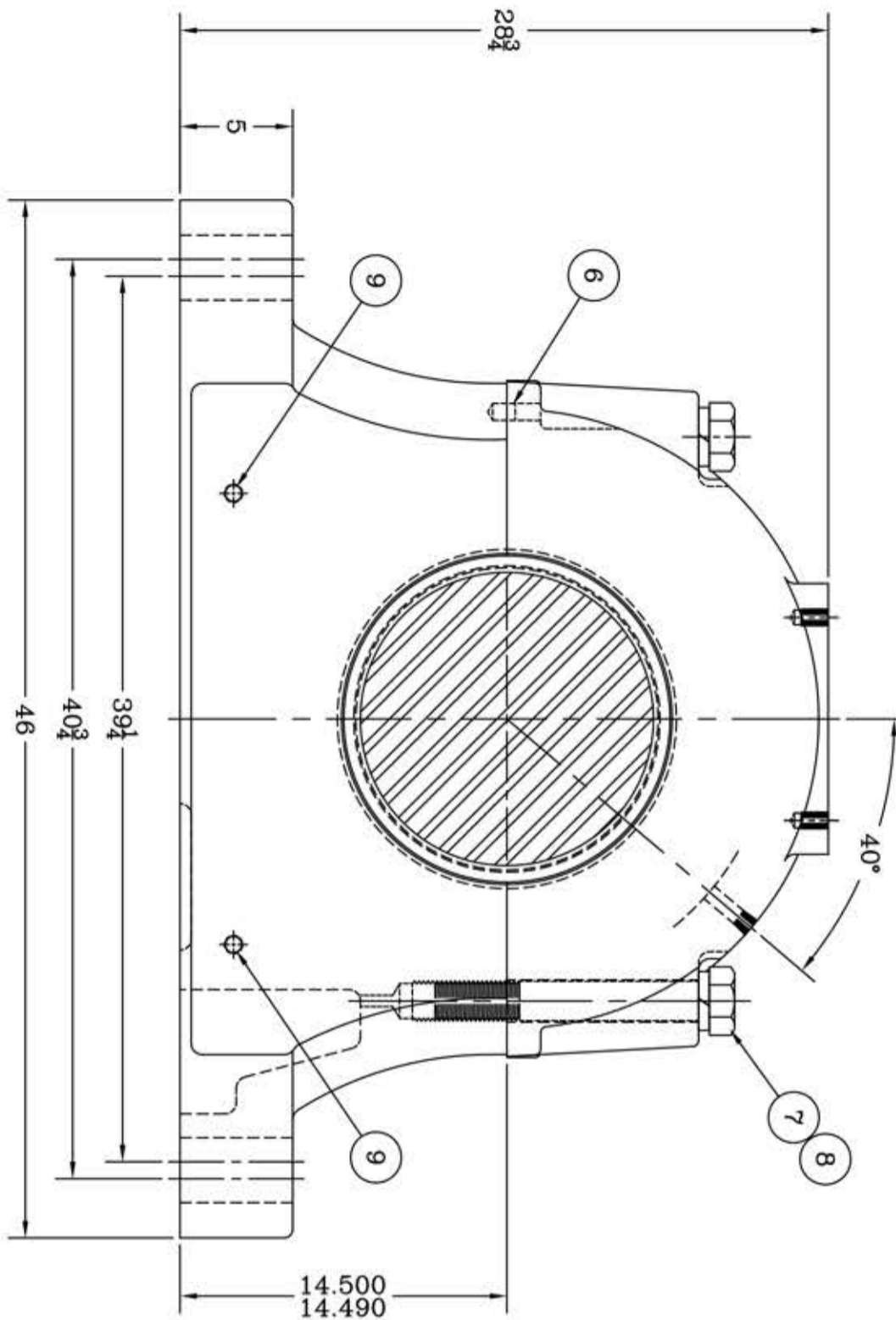
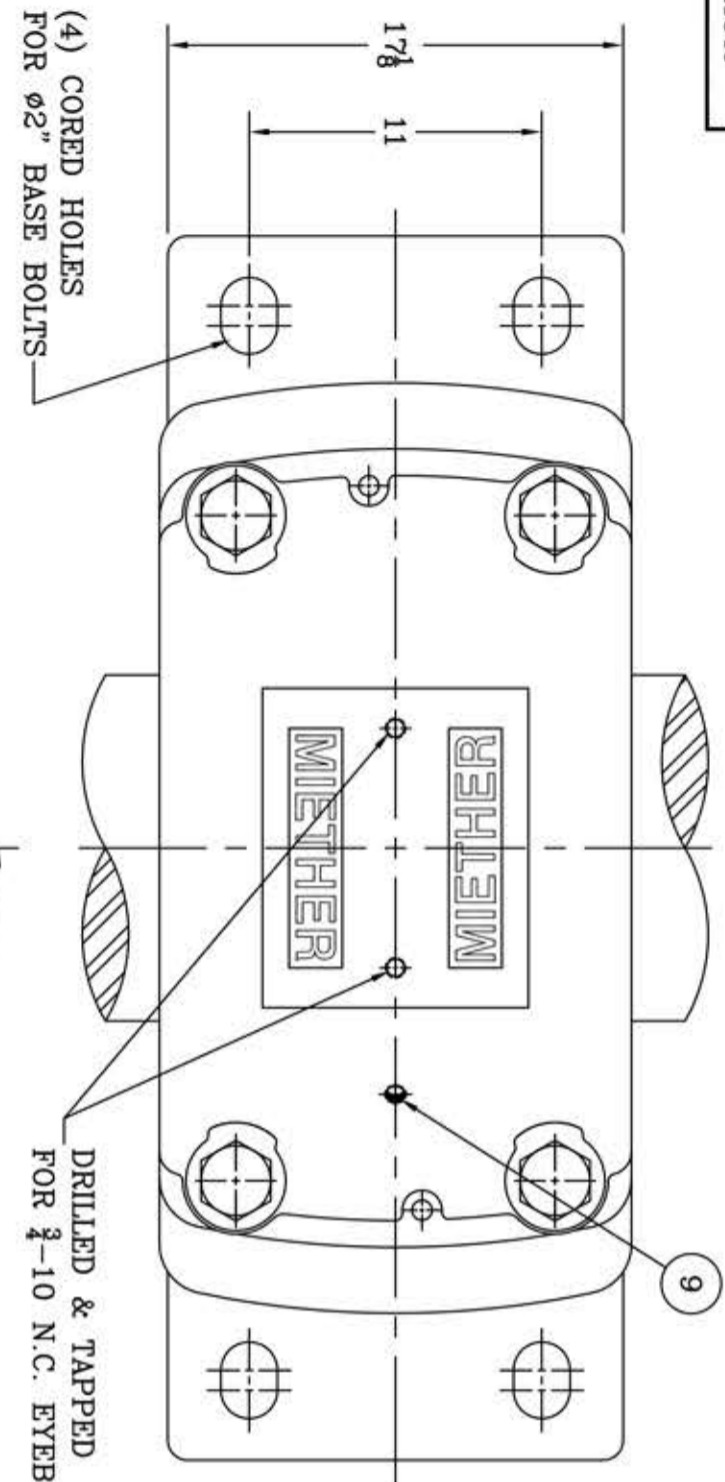
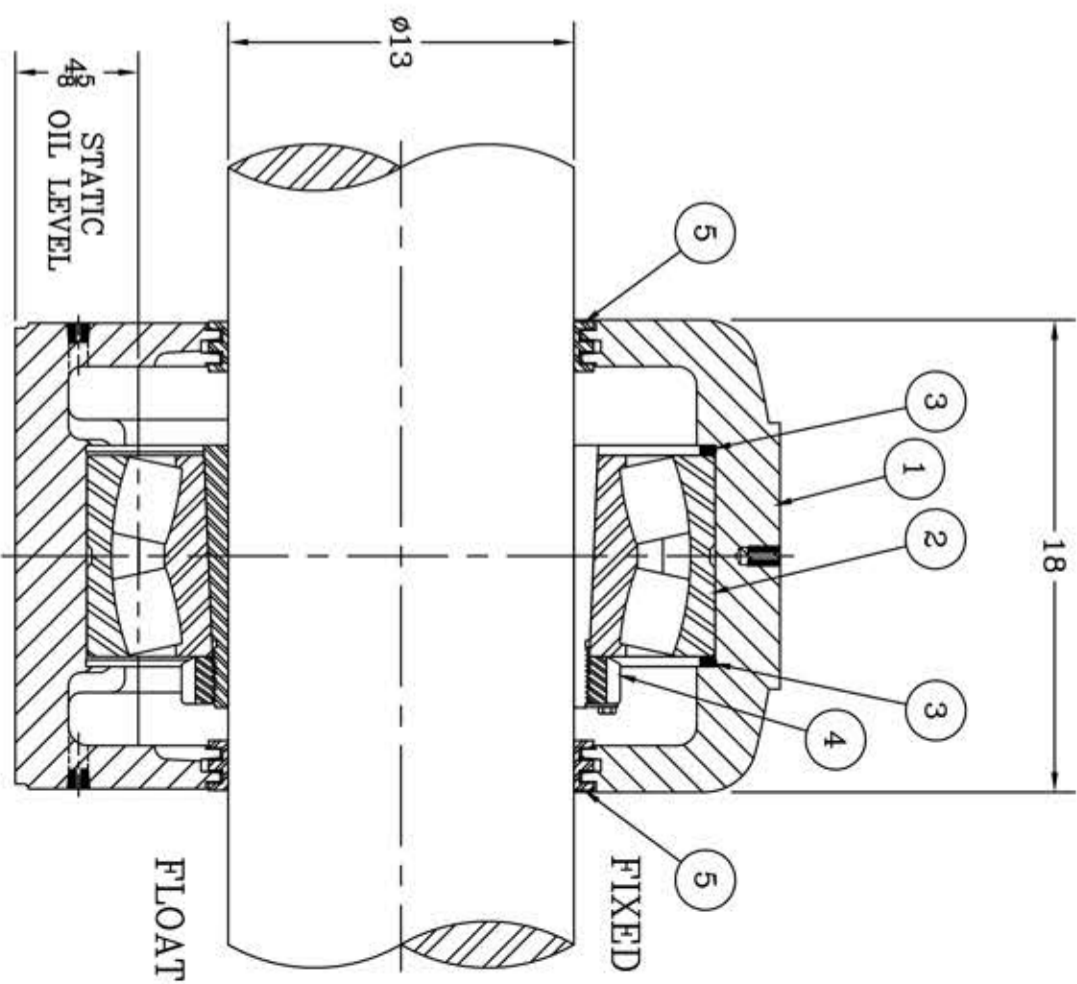


This drawing is the sole property of Miether Bearing Products and contains confidential and proprietary information. It is being provided to you for your use and may not be disclosed to any third party or used for any other purpose without Miether's prior written consent. The [materials] must be returned to the Company upon its demand. Your acceptance of these materials constitutes your acceptance of the foregoing terms.

C-21849



ITEM	DESCRIPTION	DETAIL	REQUIRED
1	HOUSING SDAF 3172 K 13-00	C-21820-R	1 1
2	SPHERICAL ROLLER BEARING	23172K/W-33	1 1
3	STABILIZING RING A8974	A-19945	2 0
4	ADAPTER SNP-3172 13-00	24305	1 1
5	TRIPLE SEAL RING ER-846	A-11637	2 2
6	DOWEL	$\phi 3/4$ x 1" LONG	2 2
7	CAP BOLT HEX. HEAD	1 1/2-5 NC x 13" LONG	4 4
8	LOCKWASHER	1 1/2 SPLIT MED.	4 4
9	PIPE PLUG	1/2-14 NPT	5 5



REDRAWN FOR CONFORMITY
RWB per KAB
2-7-05

REVISIONS

SYMBOL	DESCRIPTION	DATE	BY
C	REVISION	16	32
D	REVISION	63	125
E	REVISION	125	250
F	REVISION	250	500
G	REVISION	500	1000

AN ALCO INDUSTRIES COMPANY
BEARING PRODUCTS
ODESSA, TX. USA

SDAF 23172 K 13-00	ASSEMBLY DRAWING
SCALE 1 = 5	ASSEMBLY NO.
DRAWN BAB	DRAWING NO.
DATE 6/7/93	CHK: C-21849

TOLERANCE: UNLESS OTHERWISE SPECIFIED
FRACTIONS $\pm 1/32$ "
DECIMALS $\pm .005$
CASTING $\pm 1/16$ "
ANGLES $\pm .30^\circ$
WELD $\pm 1/16$ "