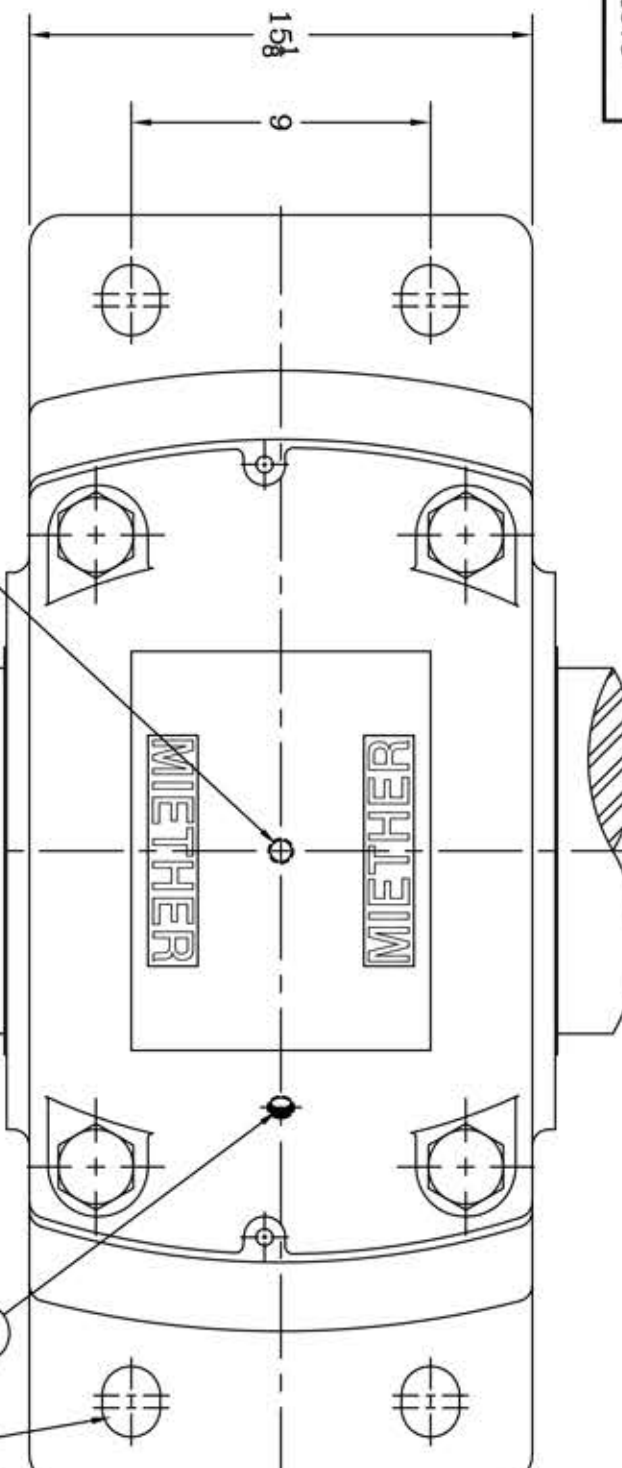


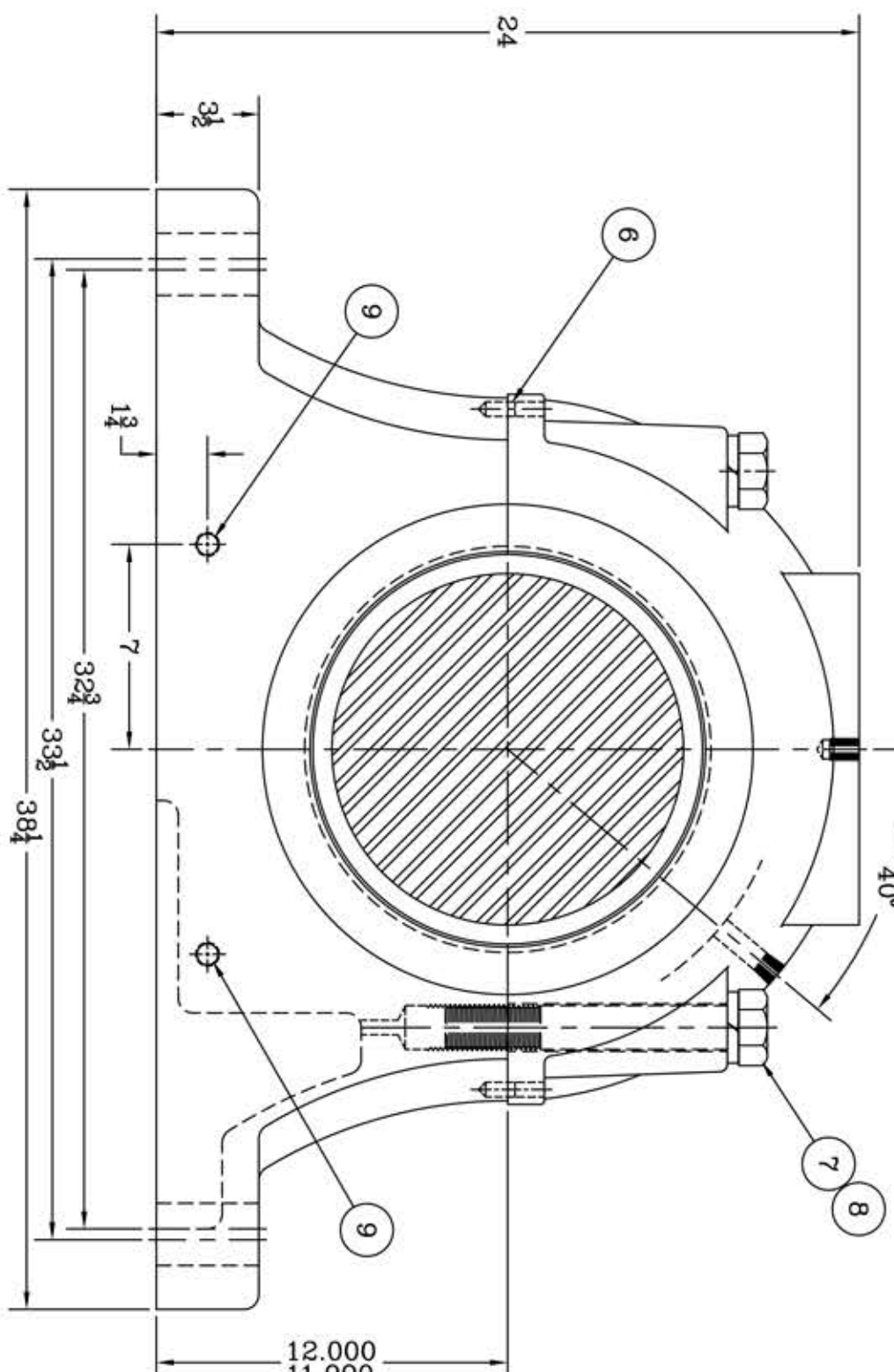
This drawing is the sole property of Miether Bearing Products and contains confidential and proprietary information. It is being provided to you for your use and may not be disclosed to any third party or used for any other purpose without Miether's prior written consent. The [materials] must be returned to the Company upon its demand. Your acceptance of these materials constitutes your acceptance of the foregoing terms.

C-21573

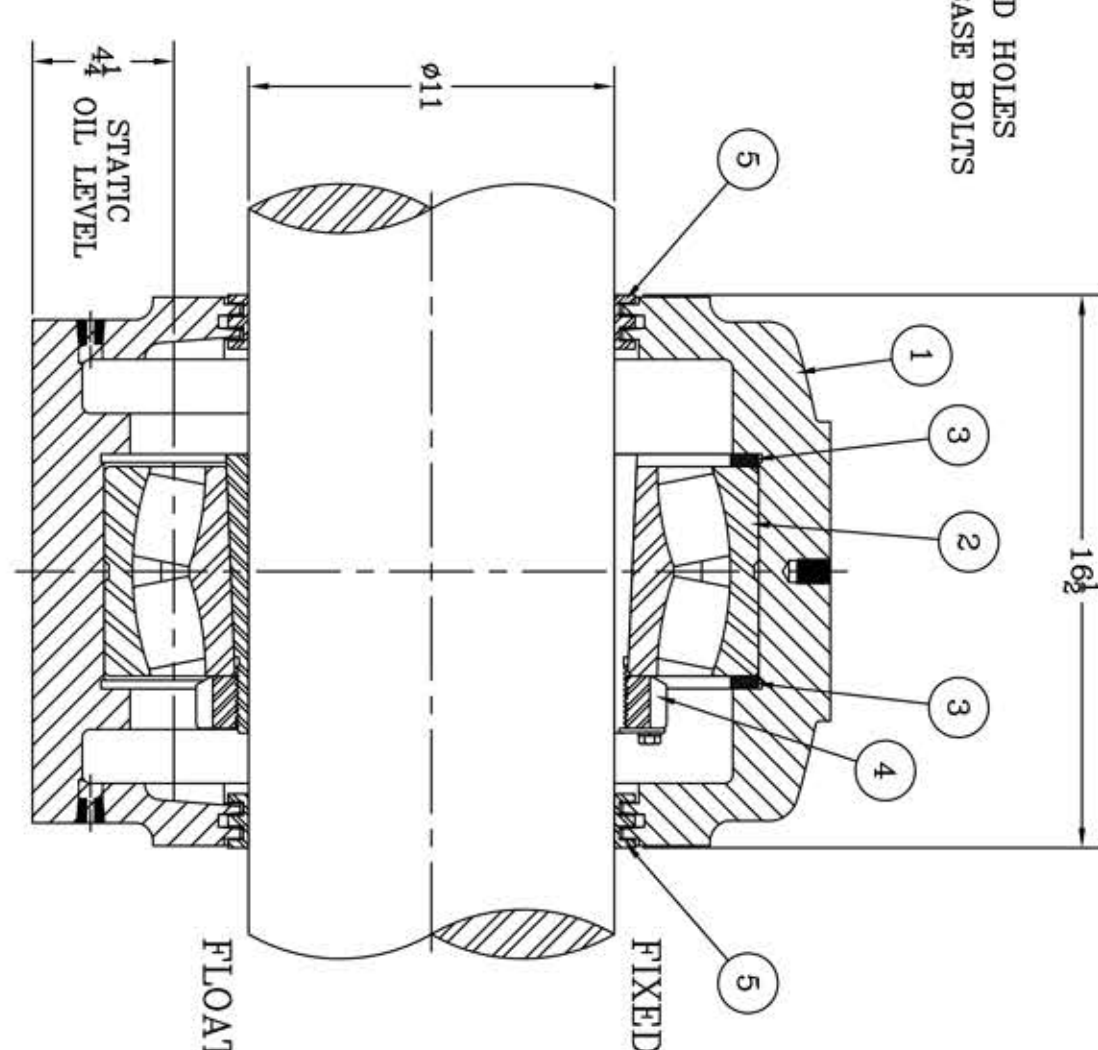


DRILLED & TAPPED FOR 3/4-10 N.C. EYEBOLT

(4) CORED HOLES FOR 1/8" BASE BOLTS



ITEM	DESCRIPTION	DETAIL	REQUIRED
1	HOUSING SDAF 3160K 11-00	C-25036	1 1
2	SPHERICAL ROLLER BEARING	23160K/W33	1 1
3	STABILIZING RING A-8975	A-12809	2 0
4	ADAPTER SNP-3160 11-00	24301	1 1
5	TRIPLE SEAL RING ER-825	A-11230	2 2
6	DOWEL	1/2 x 1" LONG	2 2
7	CAP BOLT HEX. HEAD	1 1/2-6 NC x 10" LONG	4 4
8	LOCKWASHER	1 1/2 SPLIT MED.	4 4
9	PIPE PLUG	3/4-14 NPT	5 5



REDRAWN FOR CONFORMITY
RWB per KAB
9-15-04
REDRAWN TO SCALE OMI
1-3-00

REVISIONS

SYMBOL	DESCRIPTION
C	16
D	32
E	63
F	125
G	250
J	500
K	1000

AN ALCO INDUSTRIES COMPANY
ODDESSA, TX. USA

SDAF 23160 K 11-00	ASSEMBLY DRAWING
SCALE 1 = 4	ASSEMBLY NO.
DRAWN OMI	DRAWING NO.
DATE 9/1/92	CHK: C-21573