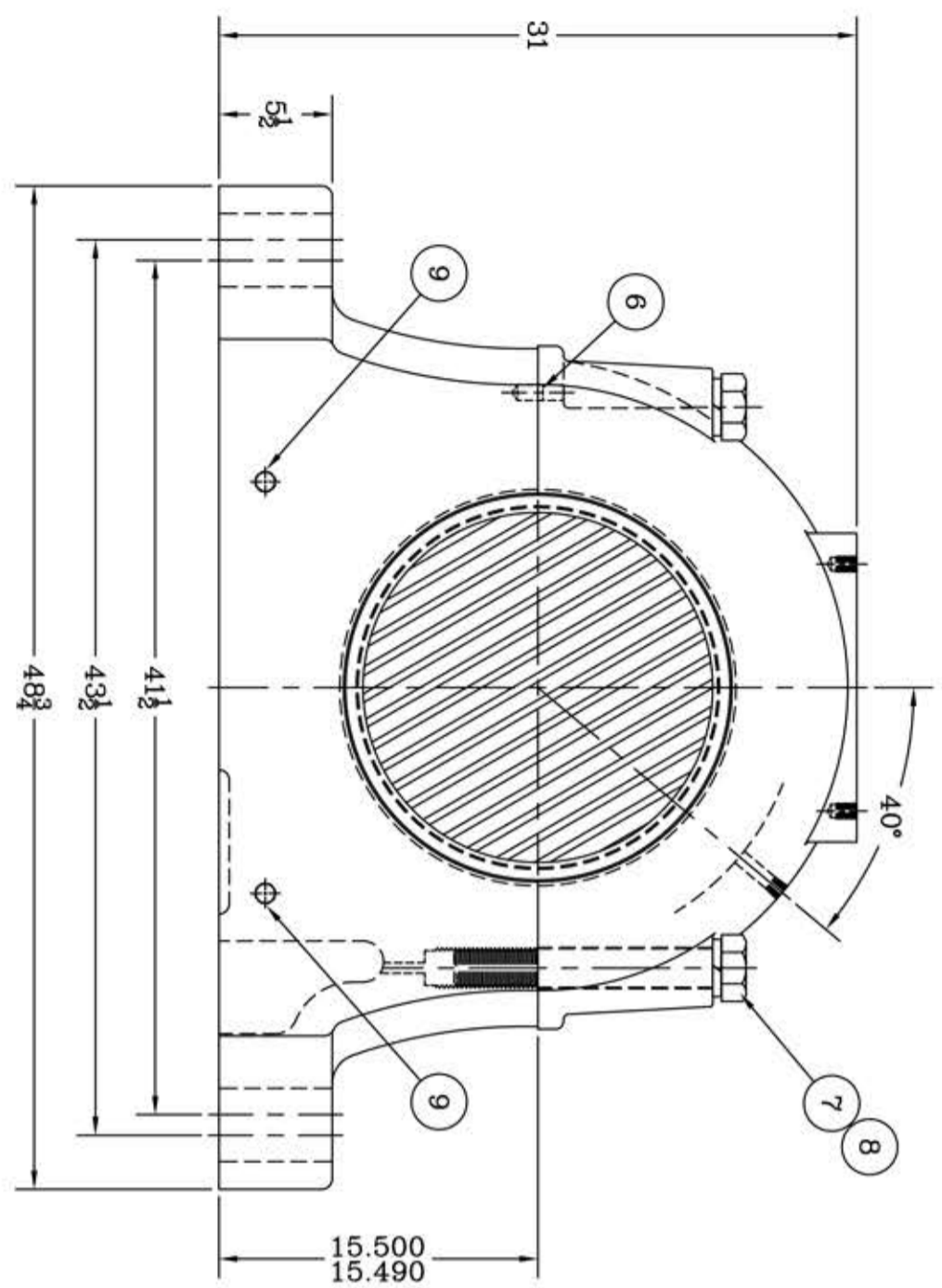
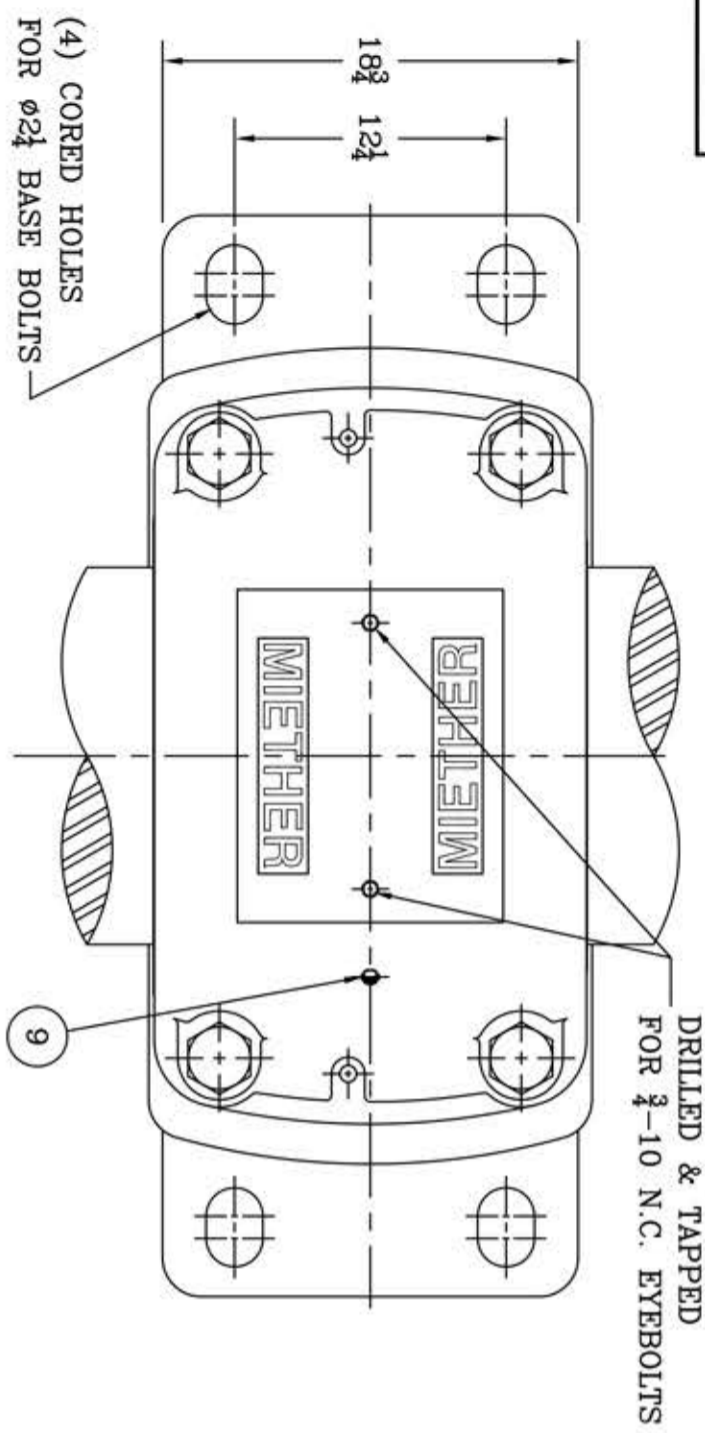
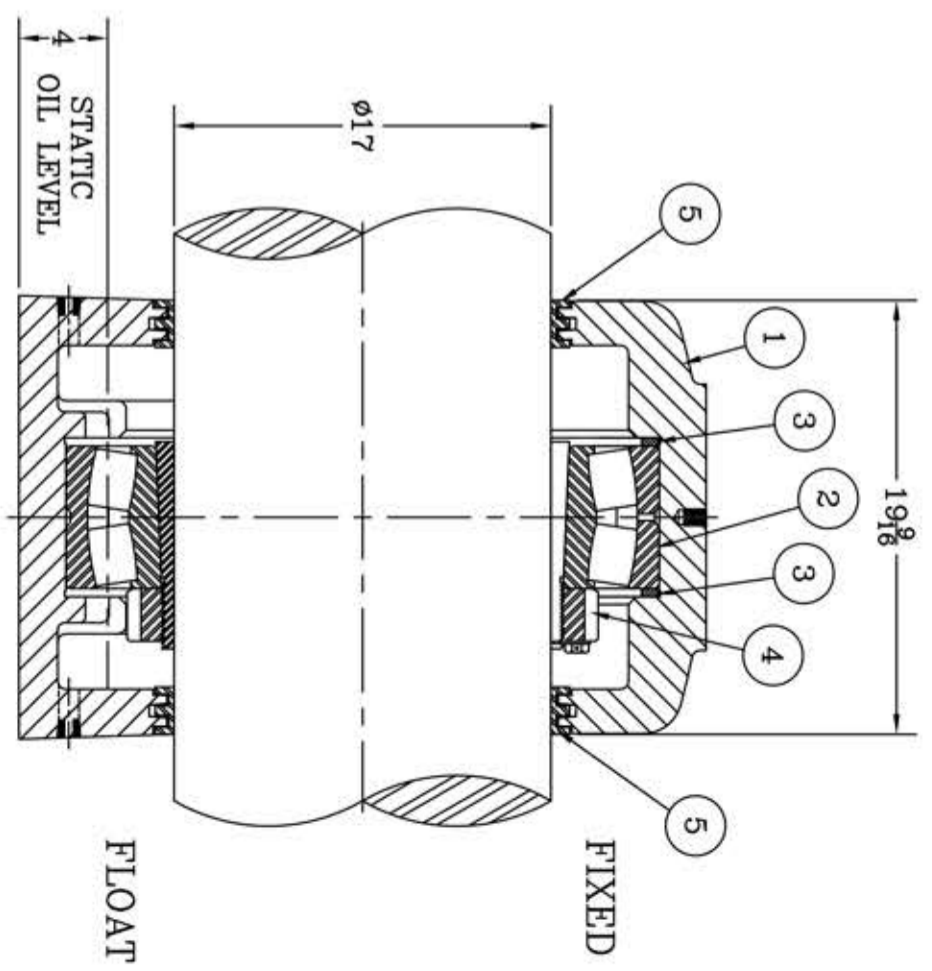


This drawing is the sole property of Miether Bearing Products and contains confidential and proprietary information. It is being provided to you for your use and may not be disclosed to any third party or used for any other purpose without Miether's prior written consent. The [materials] must be returned to the Company upon its demand. Your acceptance of these materials constitutes your acceptance of the foregoing terms.

C-32914



ITEM	DESCRIPTION	DETAIL	REQUIRED
1	HOUSING SDAF 092 K 17-00		1 1
2	SPHERICAL ROLLER BEARING	23092 K/W-33	1 1
3	STABILIZING RING A-8980	A-19975	2 0
4	ADAPTER SNP 3092 17-00		1 1
5	TRIPLE SEAL RING ER-838	A-20159	2 2
6	DOWEL	Ø 3/4 x 1 LONG	2 2
7	CAP BOLT HEX. HEAD	1 1/2-5 NC x 13" LONG	4 4
8	LOCKWASHER	1 1/2 SPLIT MED.	4 4
9	PIPE PLUG	1/2-14 NPT	5 5



REVISIONS

SYMBOL	DESCRIPTION	DATE	BY
C		16	
D		32	
E		63	
F		125	
G		250	
J		500	
K		1000	

TOLERANCE: UNLESS OTHERWISE SPECIFIED
 FRACTIONS ± 1/32" ANGLES ± 0° 30'
 DECIMALS ± .005" WELD ± 1/16"
 CASTING ± 1/16"

A.I.S.I. STANDARD FINISHES

AN ALCO INDUSTRIES COMPANY
 BEARING PRODUCTS
 ODESSA, TX, USA

SDAF 23092 K 17-00	ASSEMBLY NO.
ASSEMBLY DRAWING	
SCALE 1 = 6	ASSEMBLY NO.
DRAWN KAB	
DATE 12/15/06	DRAWING NO.
CHK:	C-32914