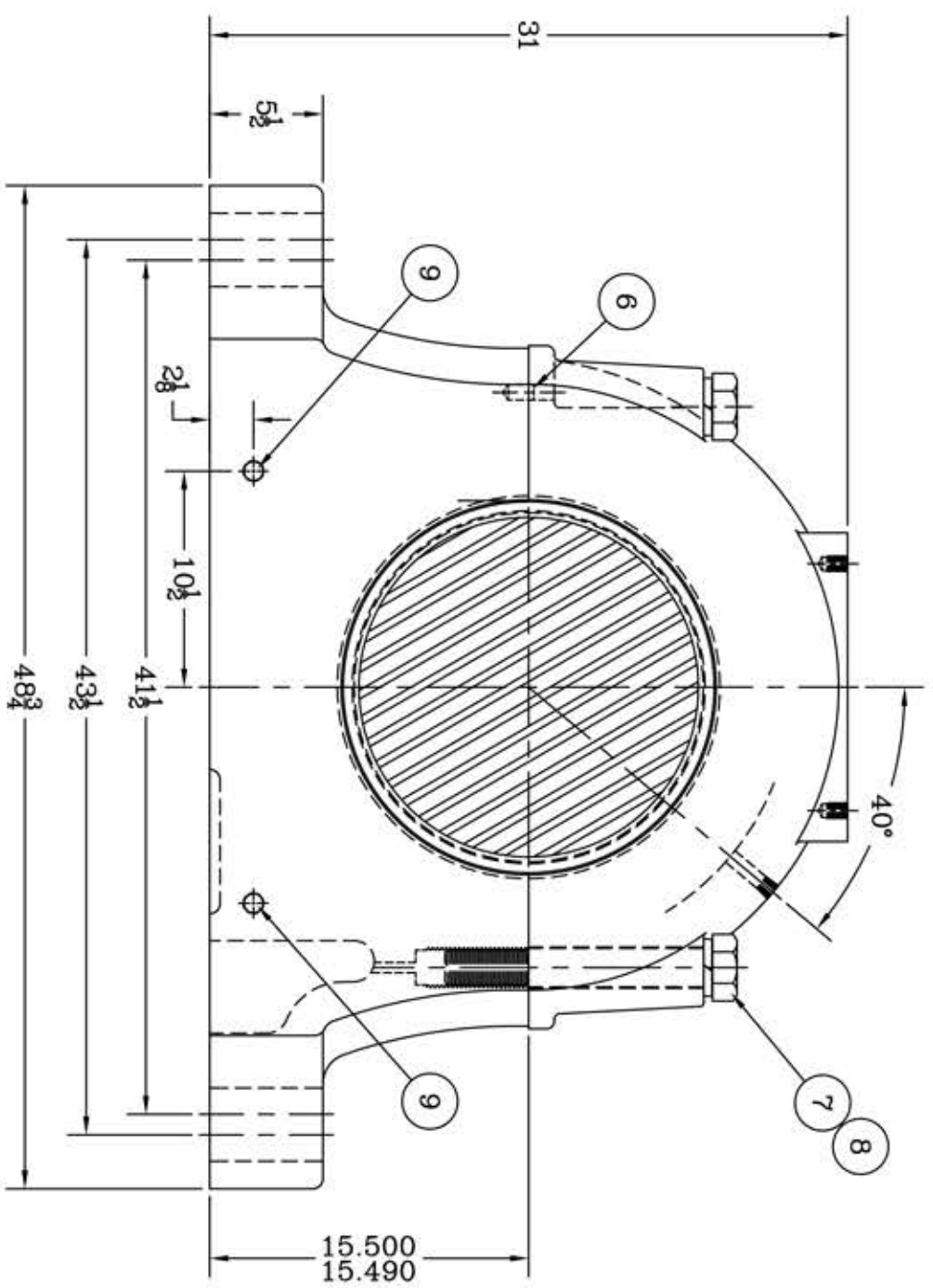
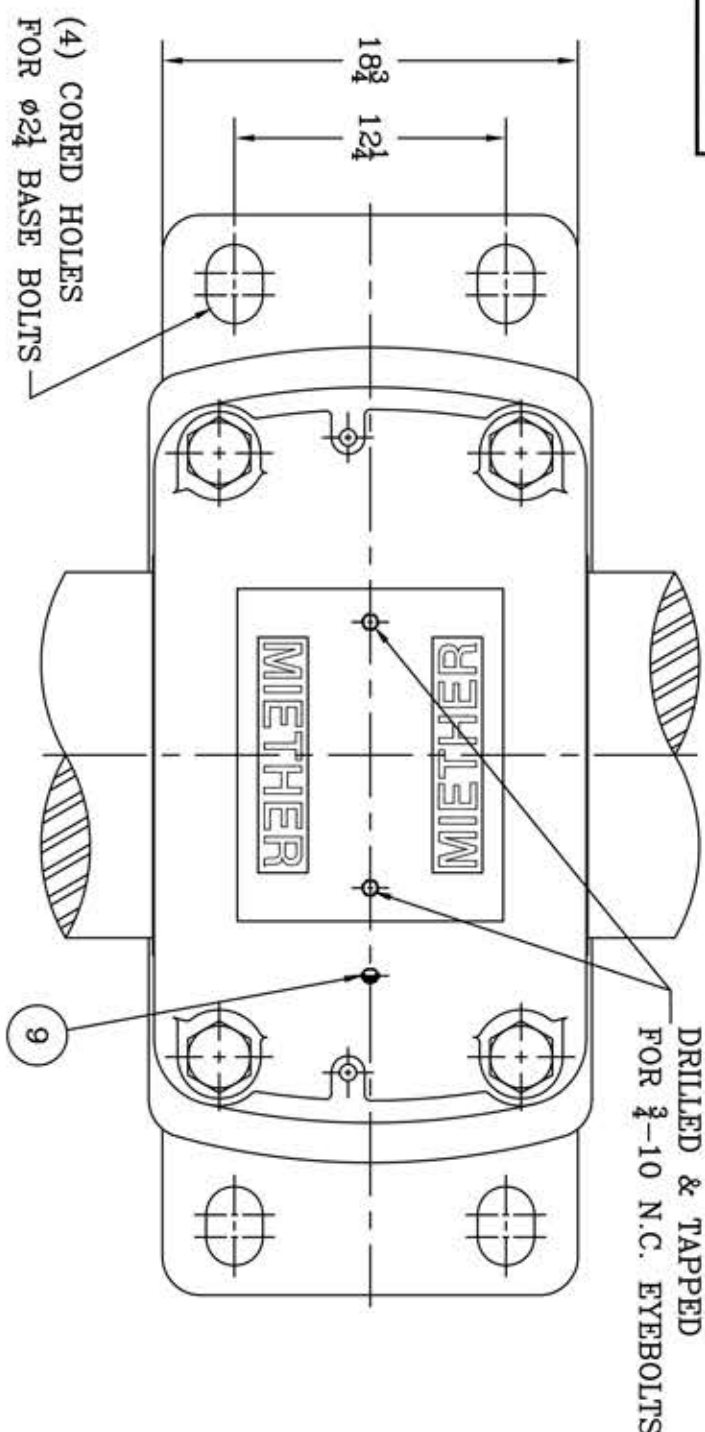
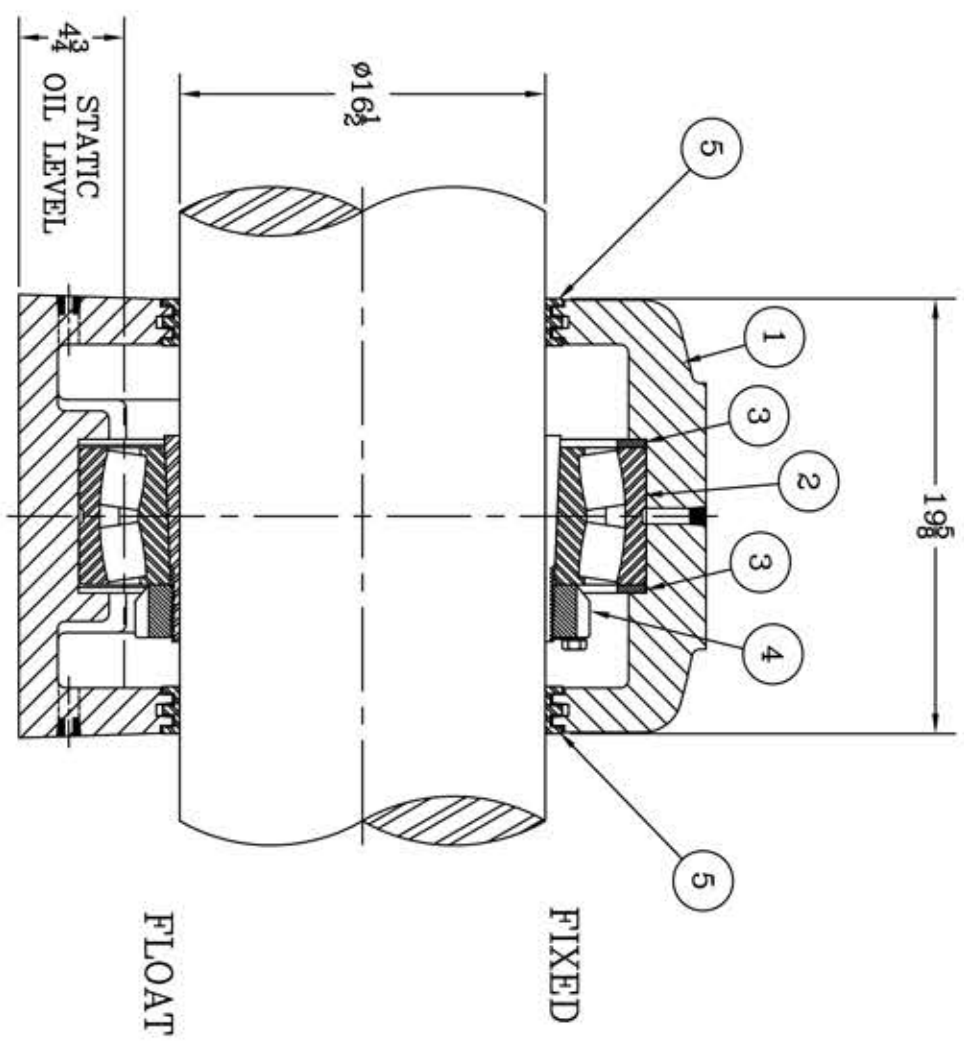


This drawing is the sole property of Miether Bearing Products and contains confidential and proprietary information. It is being provided to you for your use and may not be disclosed to any third party or used for any other purpose without Miether's prior written consent. The [materials] must be returned to the Company upon its demand. Your acceptance of these materials constitutes your acceptance of the foregoing terms.

C-32983



ITEM	DESCRIPTION	DETAIL	REQUIRED
1	HOUSING SDAF 088 K 16-08	C-33022	1 1
2	SPHERICAL ROLLER BEARING	23088K/W-33	1 1
3	STABILIZING RING A-8979	A-20213	2 0
4	ADAPTER SNP 3088 x 16-08	A-32797	1 1
5	TRIPLE SEAL RING ER 958 S	$\phi 2 1/2$ x 1 LONG	2 2
6	DOWEL	$1 1/8$ -5 NC x 13" LONG	2 2
7	CAP BOLT HEX. HEAD	$1 1/8$ SPLIT MED.	4 4
8	LOCKWASHER	$1 1/8$ -14 NPT	4 4
9	PIPE PLUG		5 5
10			



REVISIONS	
SYMBOL	DESCRIPTION
16	
32	
63	
125	
250	
500	
1000	

TOLERANCE: UNLESS OTHERWISE SPECIFIED	
FRACTIONS	$\pm 1/32$
DECIMALS	$\pm .005$
CASTING	$\pm 1/16$
ANGLES	$\pm 0^\circ 30'$
WELD	$\pm 1/16$

A.S.I. STANDARD FINISHES

SYMBOL	FINISH
C	AS RECEIVED
D	DRILLING
E	EMERY
F	FLAME
G	GRINDING
J	JET
K	KNIFE

AN ALCO INDUSTRIES COMPANY
BEARING PRODUCTS
ODESSA, TX. USA

SCALE	ASSEMBLY NO.
1 = 6	

DATE	DRAWING NO.
2/13/07	C-32983