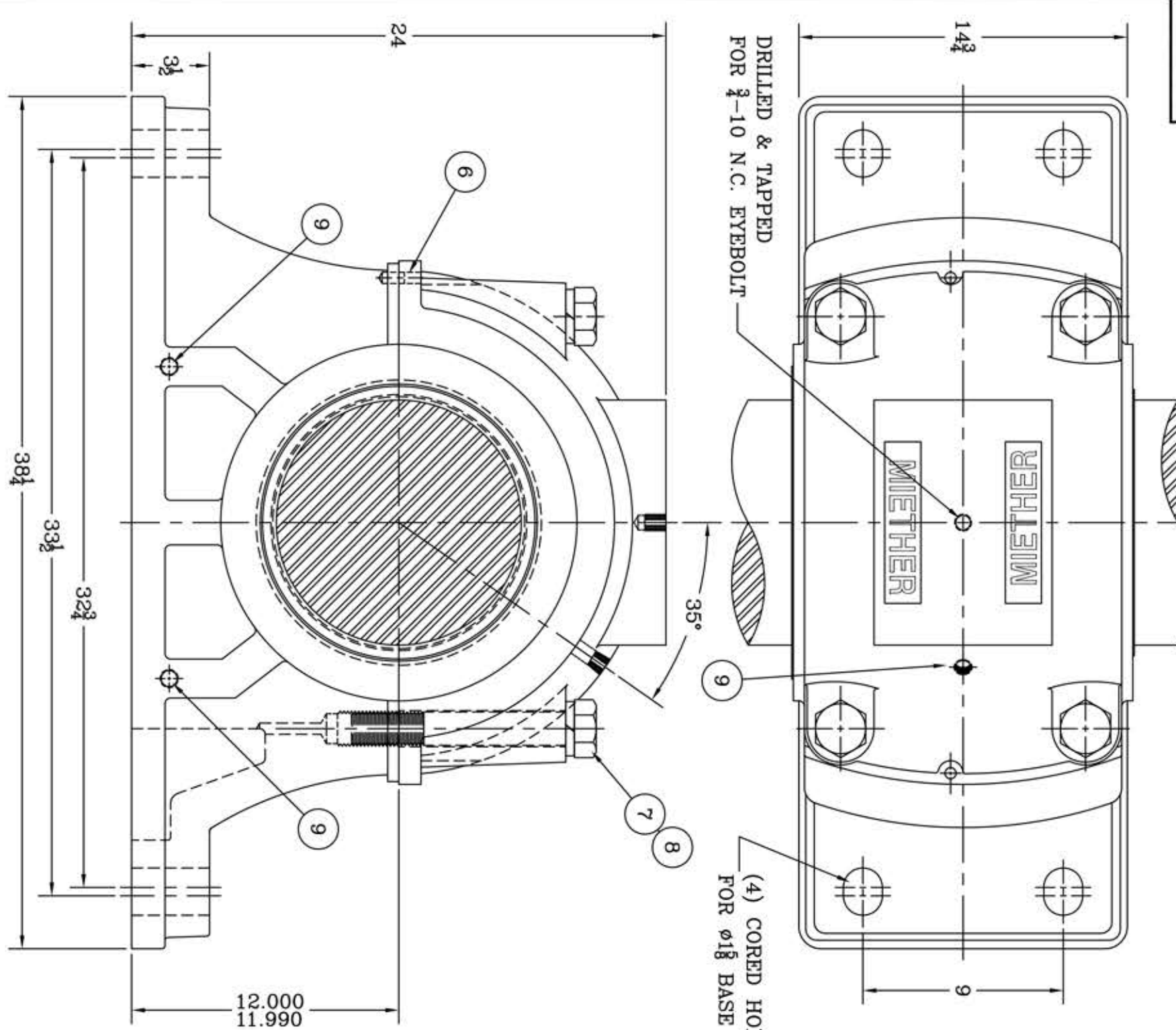


This drawing is the sole property of Miether Bearing Products and contains confidential and proprietary information. It is being provided to you for your use and may not be disclosed to any third party or used for any other purpose without Miether's prior written consent. The [materials] must be returned to the Company upon its demand. Your acceptance of these materials constitutes your acceptance of the foregoing terms.

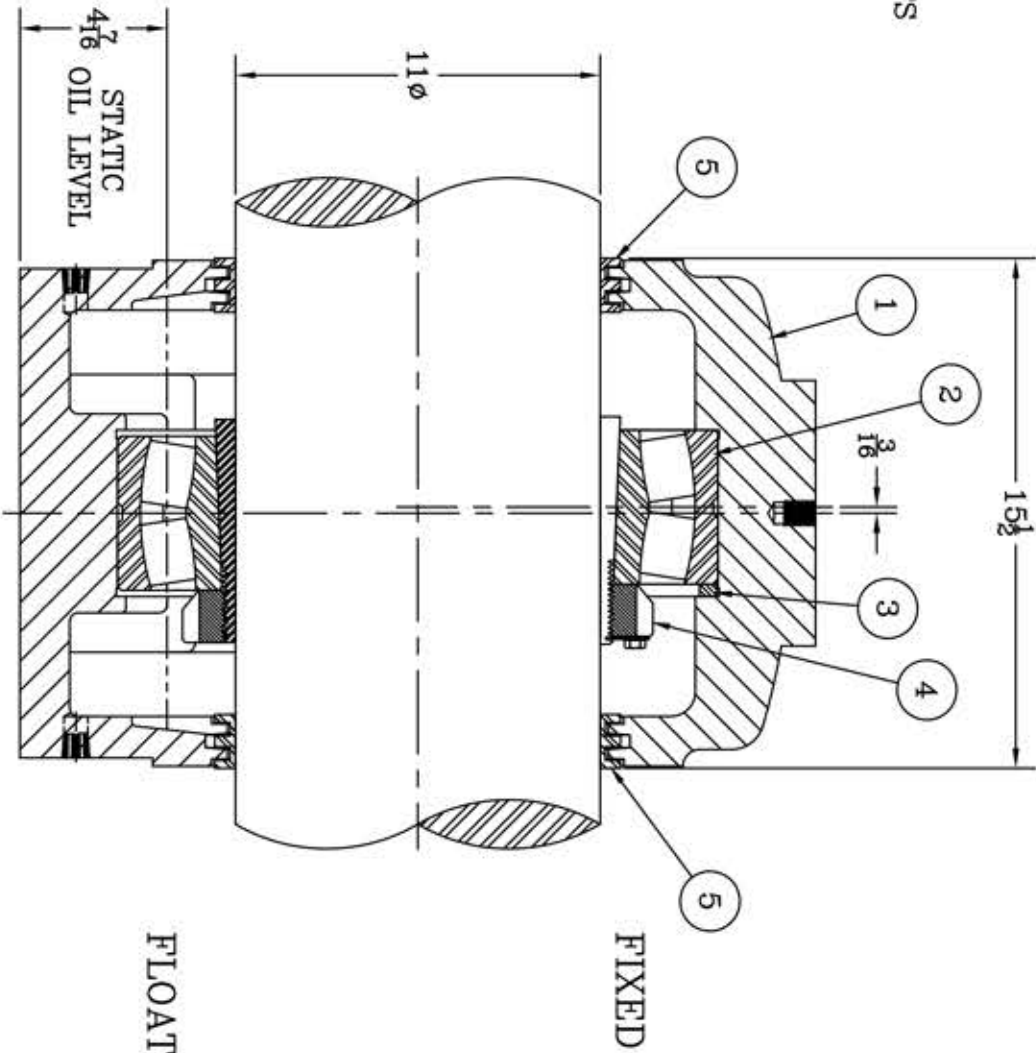
C-14636



DRILLED & TAPPED FOR 3/4-10 N.C. EYEBOLT

(4) CORED HOLES FOR Ø1 1/8" BASE BOLTS

ITEM	DESCRIPTION	DETAIL	REQUIRED
1	HOUSING SDAF-060	C-15270	1 1
2	SPHERICAL ROLLER BEARING	23060K/W33	1 1
3	STABILIZING RING A8967	A-10549	1 0
4	ADAPTER SNP-3060 x 11-00	24276	1 1
5	TRIPLE SEAL RING ER-825	A-11230	2 2
6	DOWEL	Ø 1/2 x 1" LONG	2 2
7	CAP BOLT HEX. HEAD	1 1/2-6 NC x 10" LONG	4 4
8	LOCKWASHER	1 1/2 SPLIT MED.	4 4
9	PIPE PLUG	1/2-14 NPT	5 5



REVISIONS

REDRAWN ON COMPUTER
AR per KAB
3-23-04

TOLERANCE: UNLESS OTHERWISE SPECIFIED	
FRACTIONS ± 1/32"	ANGLES ± 0° 30'
DECIMALS ± .005	WELD ± 1/16"
A.I.S.I. STANDARD FINISHES	
SYMBOL	VALUE
✓C	16
✓D	32
✓E	63
✓F	125
✓G	250
✓J	500
✓K	1000

AN ALCO INDUSTRIES COMPANY
BEARING PRODUCTS
ODESSA, TX. USA

SDAF 23060 K 11-00	ASSEMBLY DRAWING
SCALE 1 = 4	ASSEMBLY NO.
DATE 7/23/98	DRAWING NO. C-14636