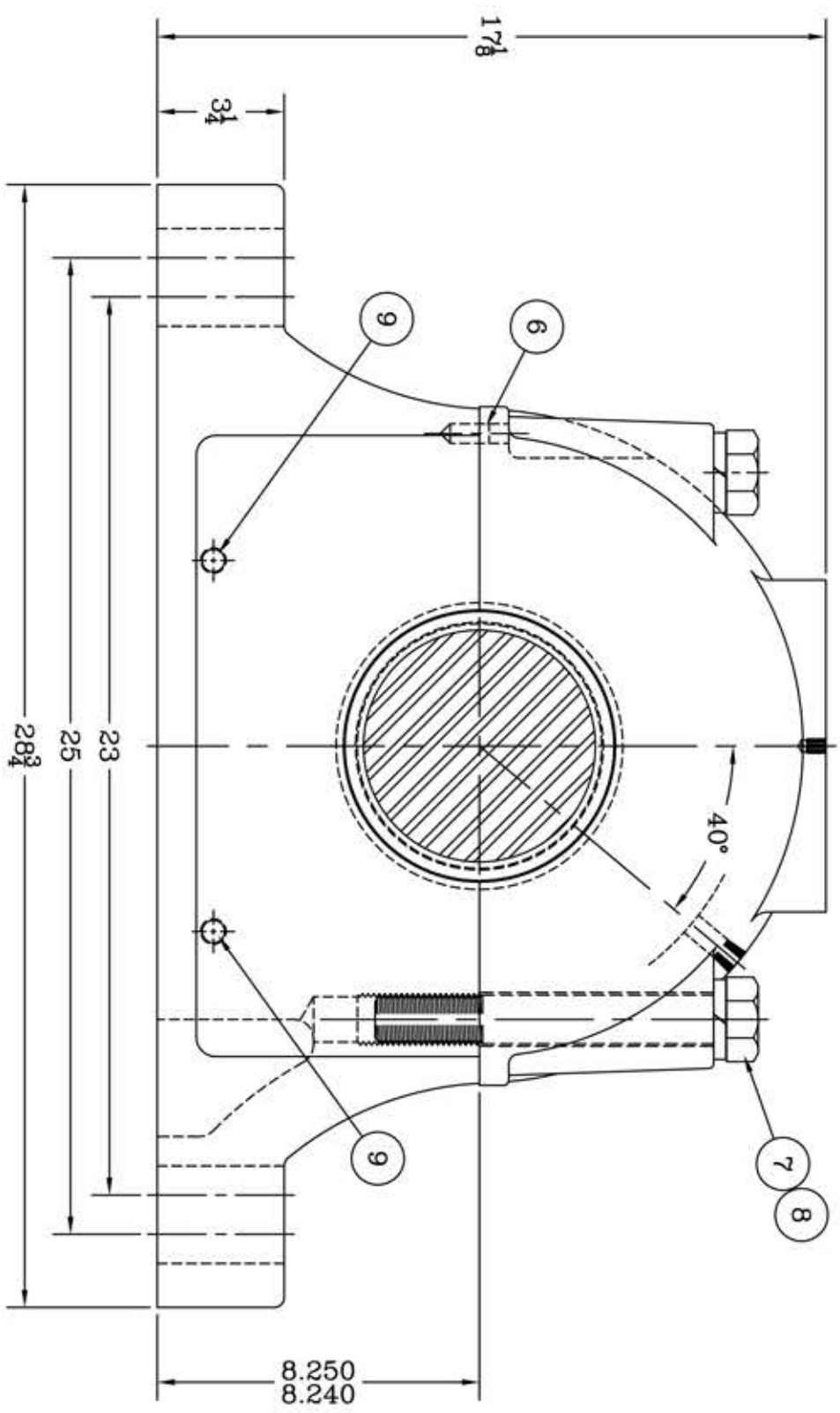
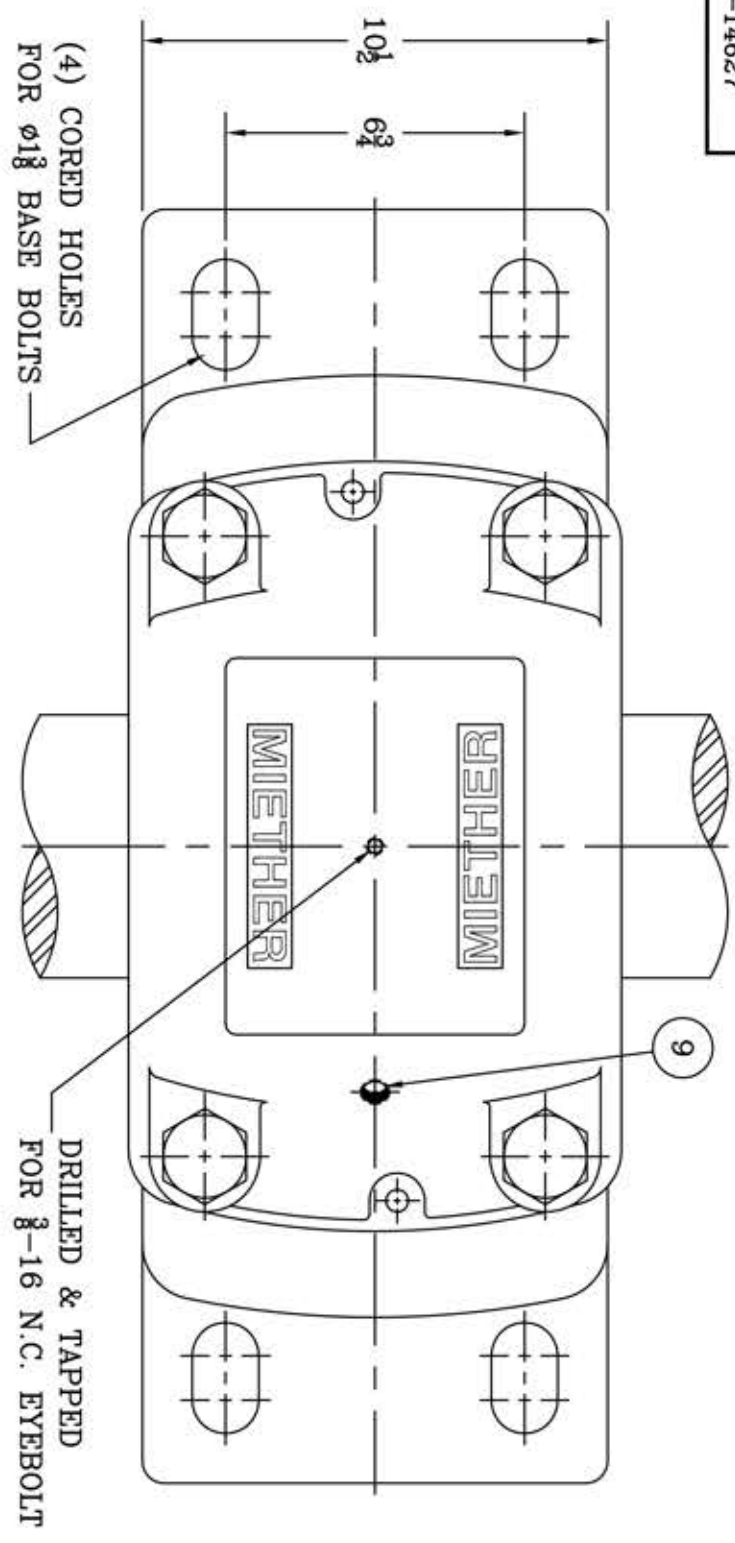
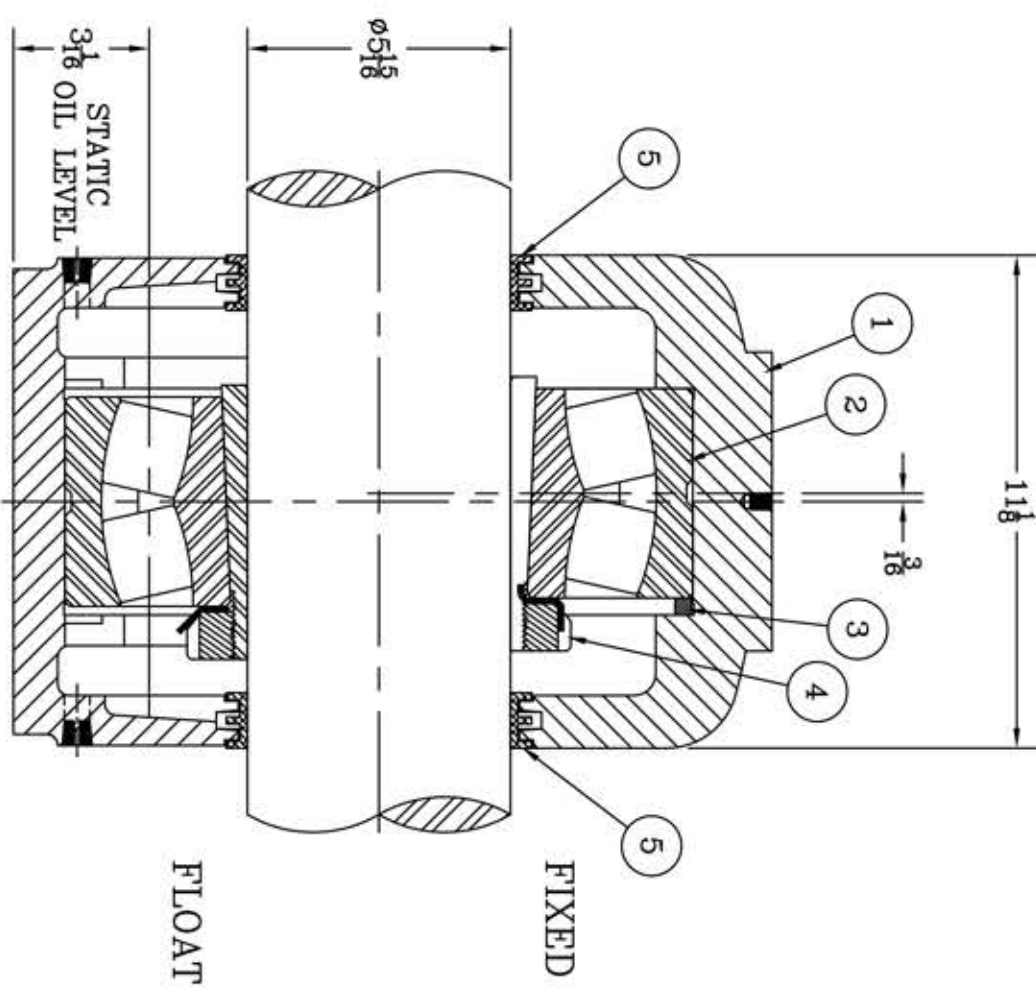


This drawing is the sole property of Miether Bearing Products and contains confidential and proprietary information. It is being provided to you for your use and may not be disclosed to any third party or used for any other purpose without Miether's prior written consent. The [materials] must be returned to the Company upon its demand. Your acceptance of these materials constitutes your acceptance of the foregoing terms.

C-14627



ITEM	DESCRIPTION	DETAIL	REQUIRED
1	HOUSING SDAF 634	C-15261	1 1
2	SPHERICAL ROLLER BEARING	22334K/W-33	1 1
3	STABILIZING RING SR-40-34	A-10611	1 0
4	ADAPTER SNW-34		1 1
5	TRIPLE SEAL RING LER-215	A-16872	2 2
6	DOWEL	$\phi 1/2$ x 1" LONG	2 2
7	CAP BOLT HEX. HEAD	1 1/4-7 NC x 9" LONG	4 4
8	LOCKWASHER	1 1/4 SPLIT MED.	4 4
9	PIPE PLUG	3/8-18 NPT	5 5



REDRAWN ON COMPUTER
AR per KAB
8-26-04

REVISIONS

SYMBOL	MICRO-INCH VALUE	DESCRIPTION
C	16	REVISIONS
D	32	
E	63	
F	125	
G	250	
J	500	
K	1000	

TOLERANCE: UNLESS OTHERWISE SPECIFIED
FRACTIONS $\pm 1/32$ "
DECIMALS $\pm .005$ "
CASTING $\pm 1/16$ "
WELD $\pm 1/16$ "
ANGLES $\pm 0^\circ 30'$

A.I.S.I. STANDARD FINISHES

SDAF 22634 05-15
ASSEMBLY DRAWING

SCALE 1 = 3
DRAWN CJ
DATE 3/30/72
CHK:

ASSEMBLY NO.
DRAWING NO. C-14627

