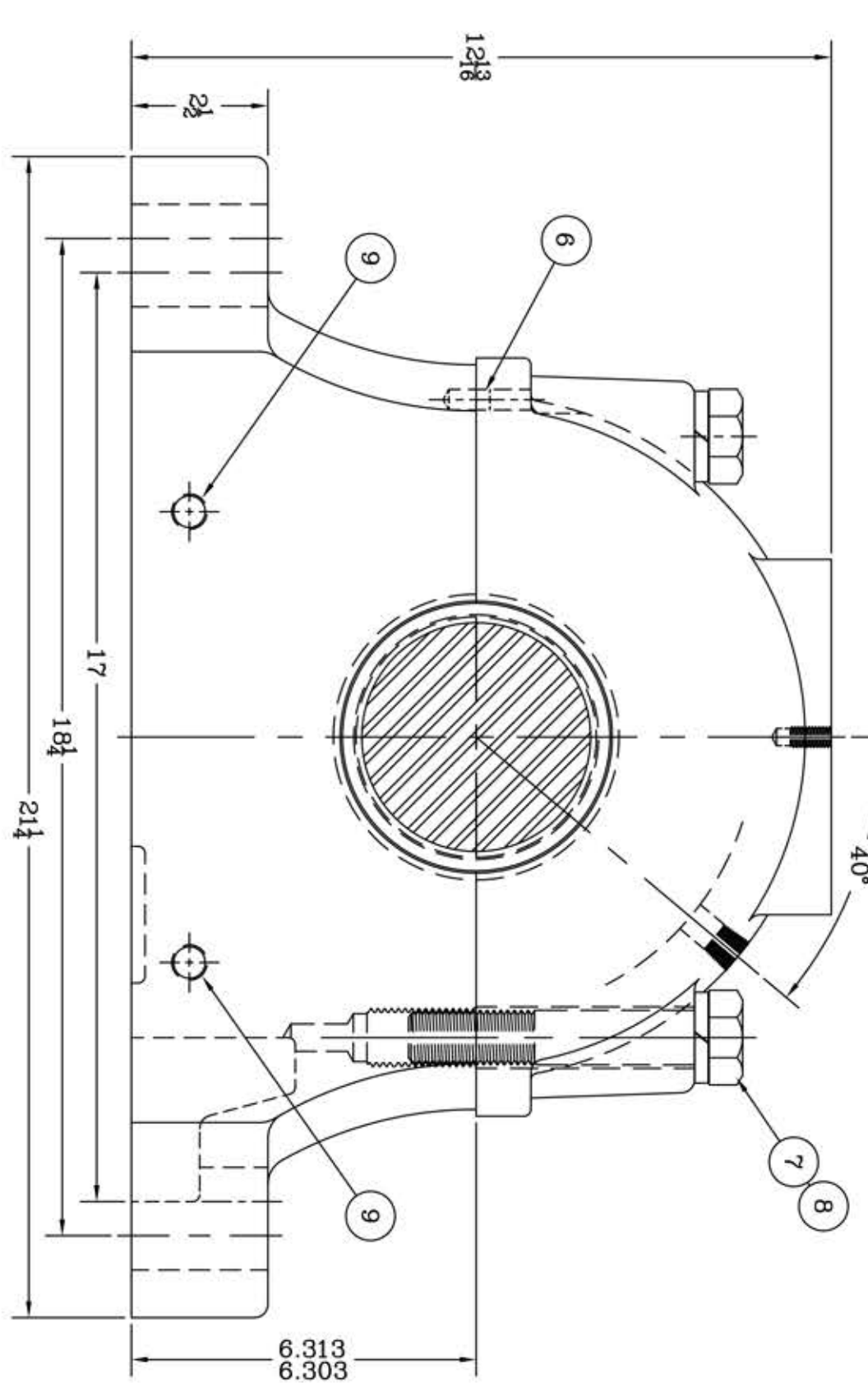
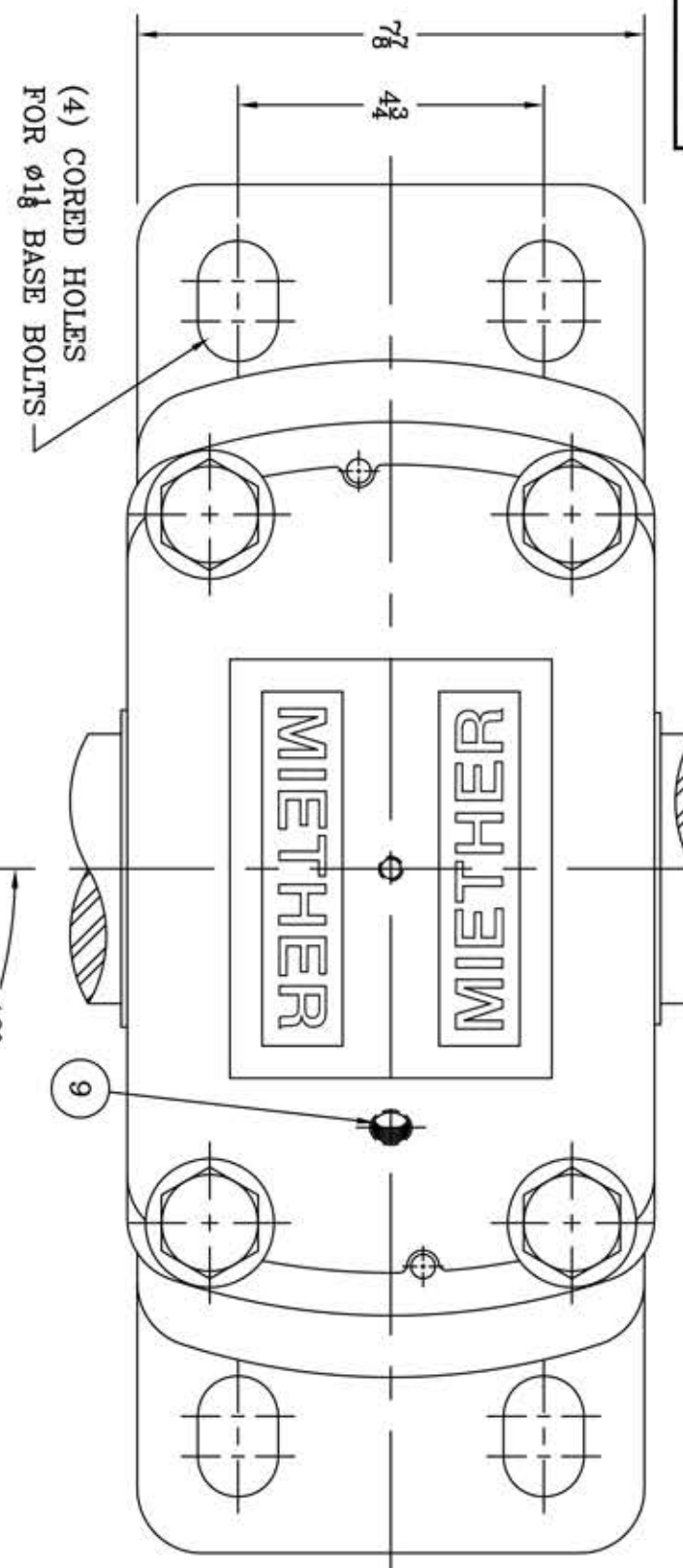
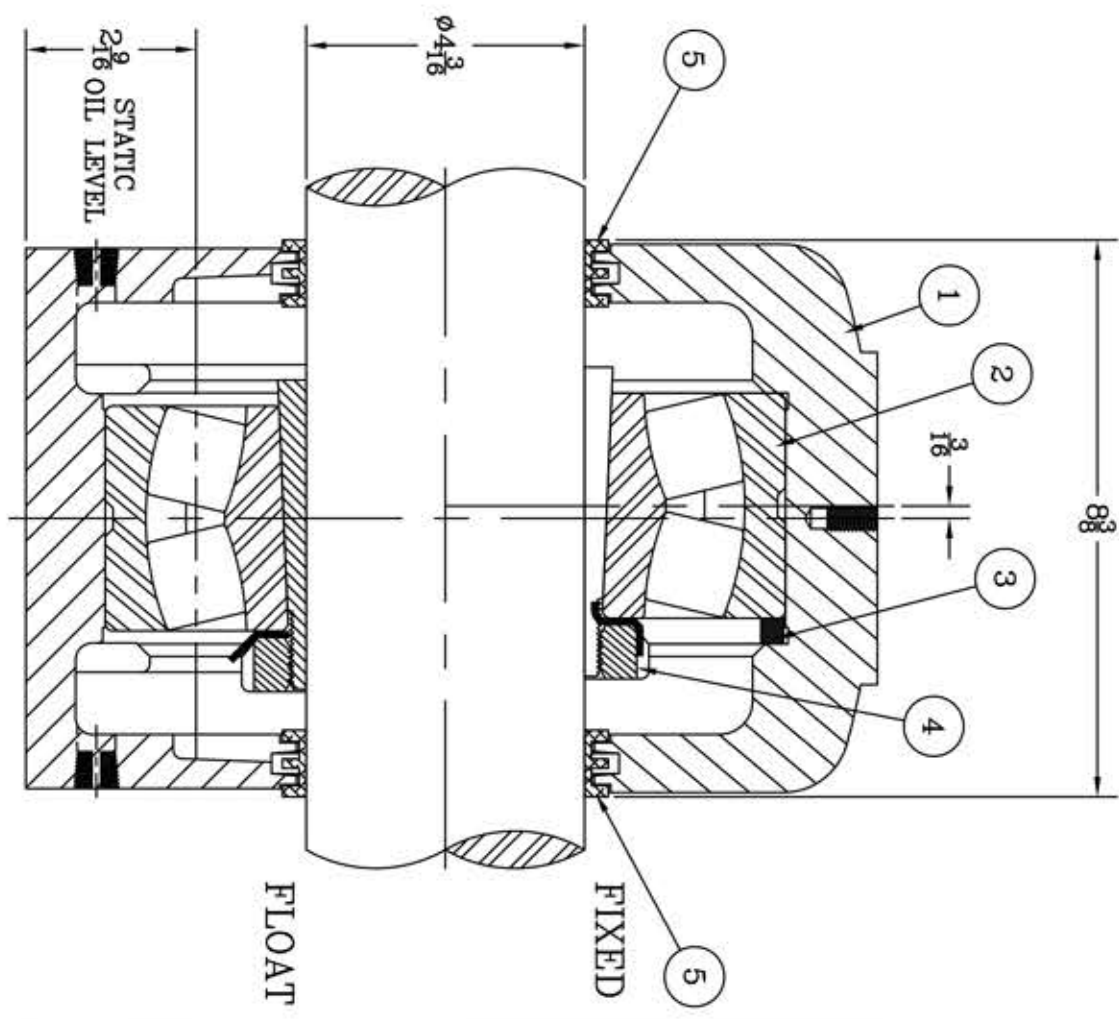


This drawing is the sole property of Miether Bearing Products and contains confidential and proprietary information. It is being provided to you for your use and may not be disclosed to any third party or used for any other purpose without Miether's prior written consent. The [materials] must be returned to the Company upon its demand. Your acceptance of these materials constitutes your acceptance of the foregoing terms.

C-14622



ITEM	DESCRIPTION	DETAIL	REQUIRED
			FWD. FLT.
1	HOUSING SDAF 624	C-15256-R	1 1
2	SPHERICAL ROLLER BEARING	22324K/W-33	1 1
3	STABILIZING RING SR-0-24	A-15124	1 0
4	ADAPTER SNW-24	24426	1 1
5	TRIPLE SEAL RING IER-113	A-10579	2 2
6	DOWEL	ø 8 x 3/4 LONG	2 2
7	CAP BOLT HEX. HEAD	1-8 NC x 5 1/2 LONG	4 4
8	LOCKWASHER	1" SPLIT MED.	4 4
9	PIPE PLUG	3/8-18 NPT	5 5



REDRAWN FOR CONFORMITY by RWB 8-17-04
 REDRAWN ON COMPUTER by RWB 6-26-03

REVISIONS

SYMBOL	DESCRIPTION
✓	REVISION 1
∇	REVISION 2
∇	REVISION 3
∇	REVISION 4
∇	REVISION 5
∇	REVISION 6
∇	REVISION 7
∇	REVISION 8
∇	REVISION 9

TOLERANCE: UNLESS OTHERWISE SPECIFIED
 FRACTIONS ± 1/32"
 DECIMALS ± .005"
 CASTING ± 1/16"
 ANGLES ± 0° 30'
 WELD ± 1/16"
 A.I.S.I. STANDARD FINISHES

AN ALCO INDUSTRIES COMPANY
 BEARING PRODUCTS
 ODESSA, TX. USA

SDAF 22624	04-03
ASSEMBLY DRAWING	
SCALE HALF	ASSEMBLY NO.
DRAWN CJ	
DATE 12/29/71	DRAWING NO.
CHK:	C-14622