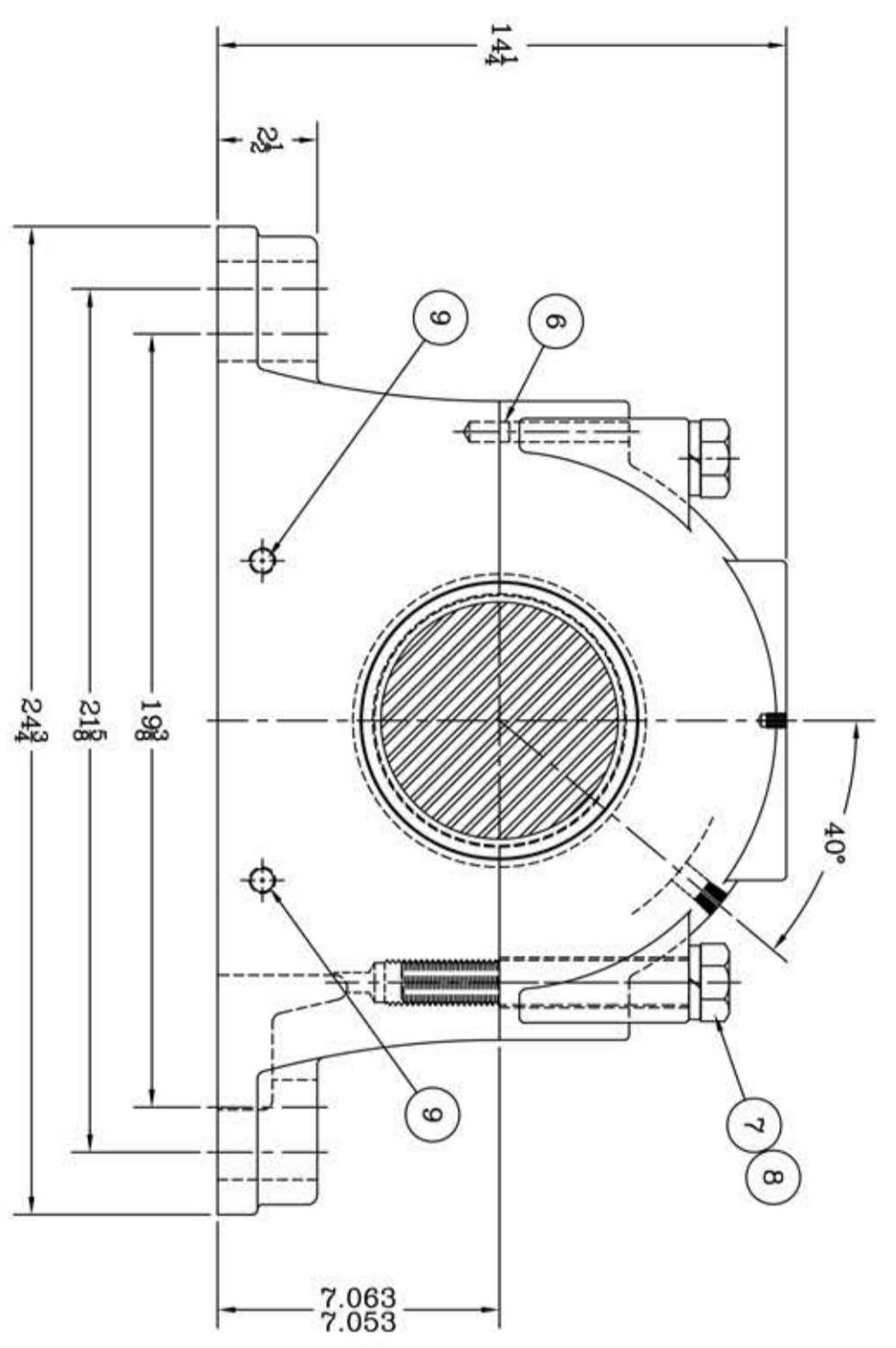
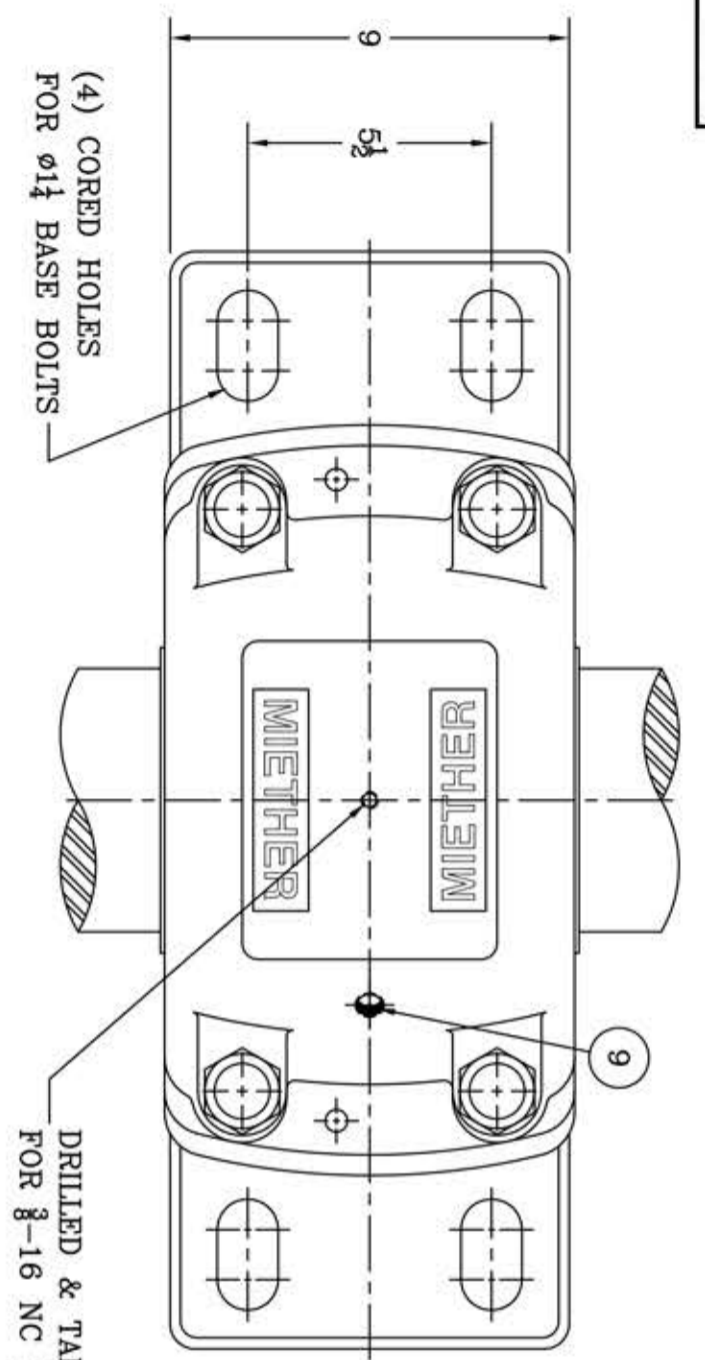
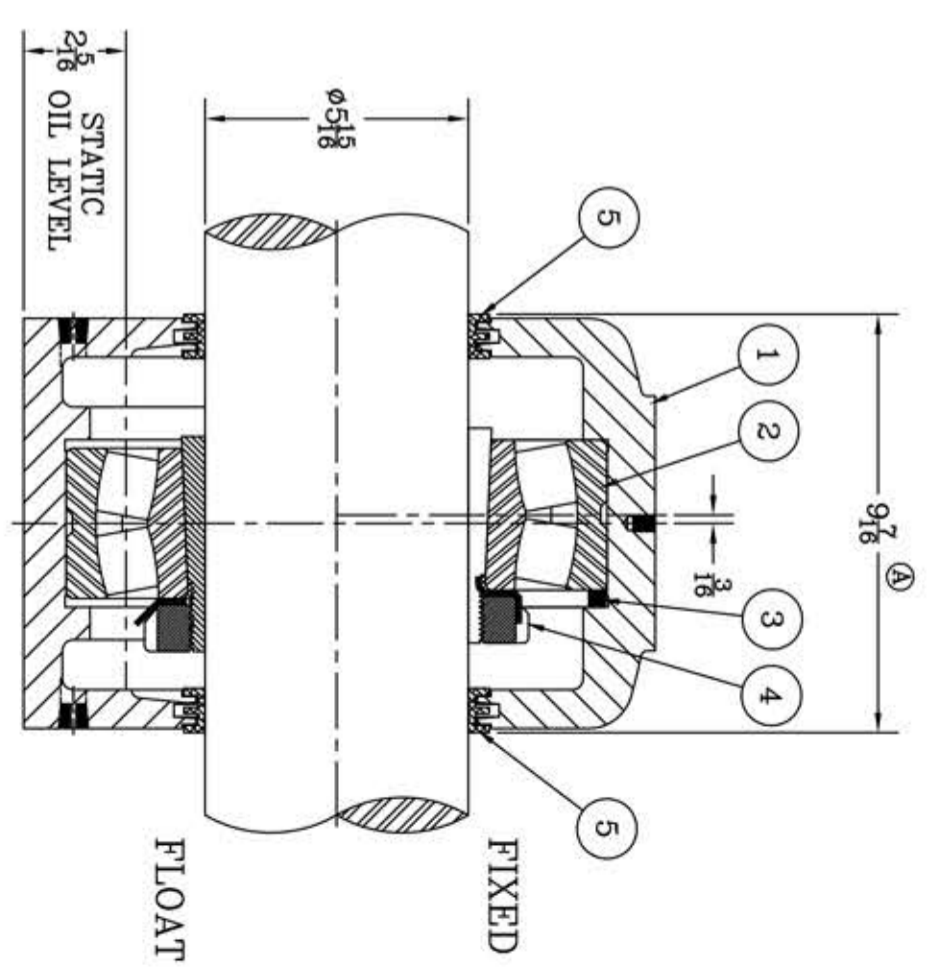


This drawing is the sole property of Miether Bearing Products and contains confidential and proprietary information. It is being provided to you for your use and may not be disclosed to any third party or used for any other purpose without Miether's prior written consent. The [materials] must be returned to the Company upon its demand. Your acceptance of these materials constitutes your acceptance of the foregoing terms.

C-14608



ITEM	DESCRIPTION	DETAIL	REQUIRED
1	HOUSING SDAF 534 05-15	C-15695-R	1 1
2	SPHERICAL ROLLER BEARING	22234K/W-33	1 1
3	STABILIZING RING SR-34-0	A-10609	1 0
4	ADAPTER SNW-34 05-15	24449	1 1
5	TRIPLE SEAL RING LER-140	A-10584	2 2
6	DOWEL	$\phi \frac{1}{2}$ x 1" LONG	2 2
7	CAP BOLT HEX. HEAD	1 1/8-7 NC x 7/8" LONG	4 4
8	LOCKWASHER	1 1/8 SPLIT MED.	4 4
9	PIPE PLUG	3/8-18 NPT	5 5



WIDTH WAS $\frac{9}{16}$ RWB per KAB 7-30-04

REDRAWN FOR CONFORMITY RWB per KAB 7-26-04

REVISIONS

SYMBOL	DESCRIPTION
C	WIDTH WAS $\frac{9}{16}$ RWB per KAB 7-30-04
D	REDRAWN FOR CONFORMITY RWB per KAB 7-26-04

TOLERANCE: UNLESS OTHERWISE SPECIFIED

FRACTIONS $\pm 1/32$ "

DECIMALS $\pm .005$

CASTING $\pm 1/16$ "

WELD $\pm 1/16$ "

ANGLES $\pm 0^\circ 30'$

A.I.S.I. STANDARD FINISHES

AN ALCO INDUSTRIES COMPANY

BEARING PRODUCTS

ODESSA, TX. USA

SDAF 22534 05-15	ASSEMBLY DRAWING
SCALE 1 = 3	ASSEMBLY NO.
DRAWN CJ	DRAWING NO.
DATE 9/19/73	C-14608
CHK:	