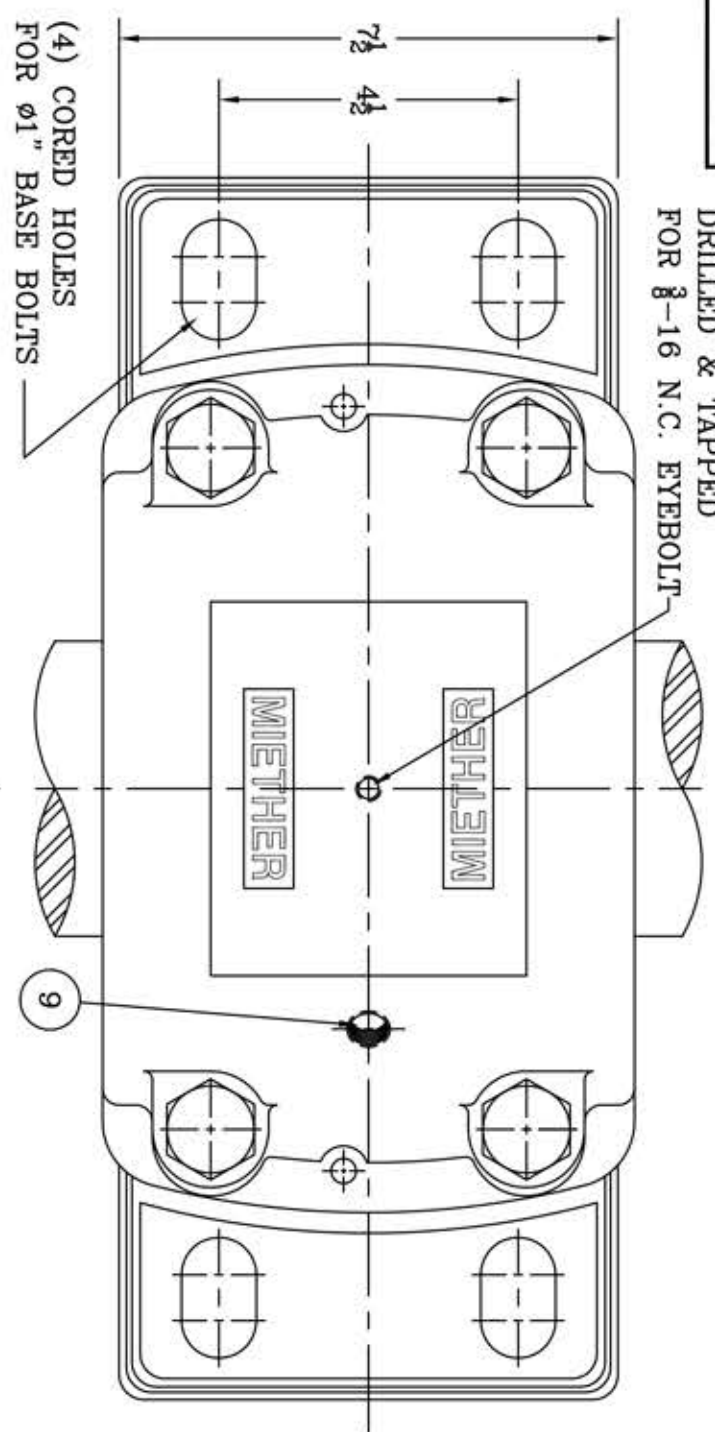


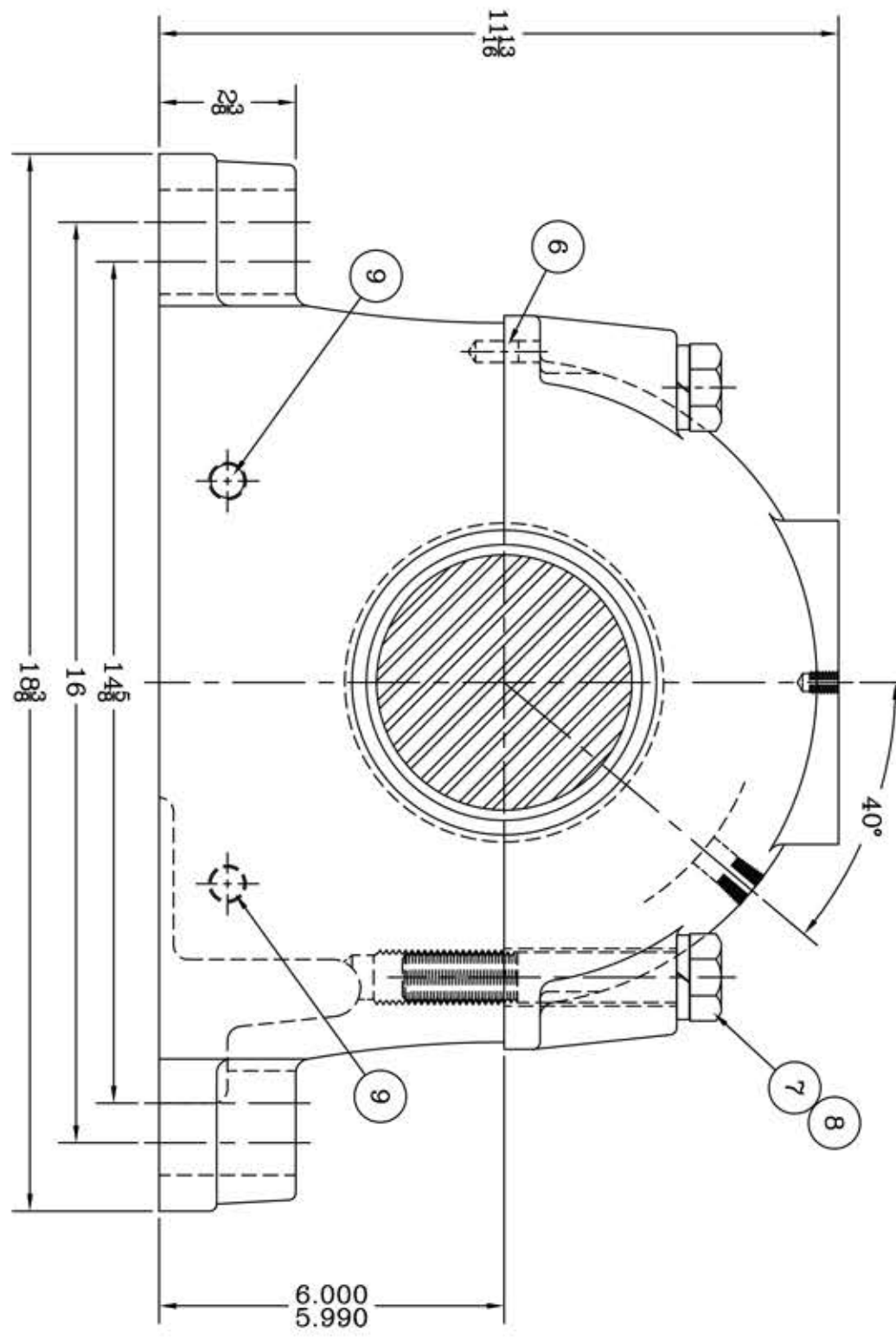
This drawing is the sole property of Miether Bearing Products and contains confidential and proprietary information. It is being provided to you for your use and may not be disclosed to any third party or used for any other purpose without Miether's prior written consent. The [materials] must be returned to the Company upon its demand. Your acceptance of these materials constitutes your acceptance of the foregoing terms.

C-14604

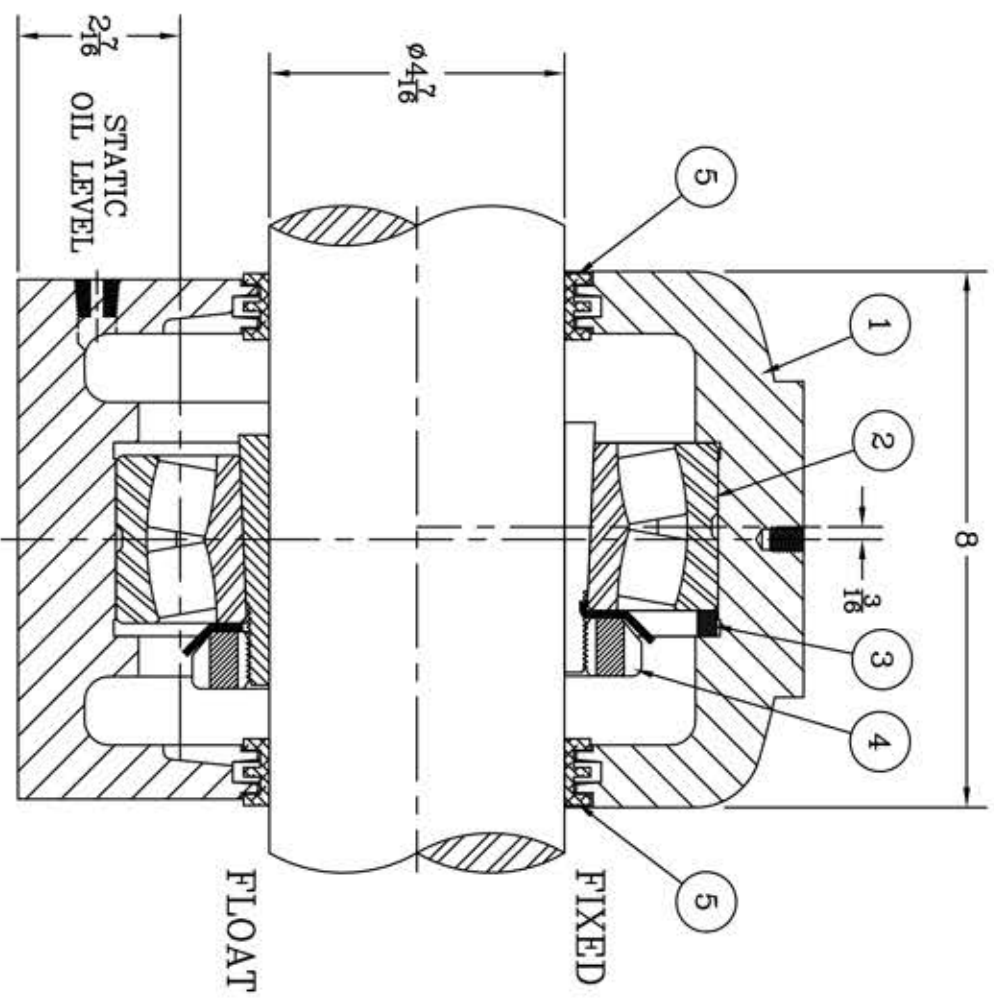
DRILLED & TAPPED  
FOR 3/16 N.C. EYEBOLT



(4) CORED HOLES  
FOR Ø1" BASE BOLTS



ITEM	DESCRIPTION	DETAIL	REQUIRED
1	HOUSING SDAF 526	C-15238	1 1
2	SPHERICAL ROLLER BEARING	22226K/W-33	1 1
3	STABILIZING RING SR-26-0	A-10605	1 0
4	ADAPTER SNW-26 04-07	24429	1 1
5	TRIPLE SEAL RING LER-117	A-10497	2 2
6	DOWEL	Ø8 x 3/4 LONG	2 2
7	CAP BOLT HEX. HEAD	7-10 NC x 5" LONG	4 4
8	LOCKWASHER	7 SPLIT MED.	4 4
9	PIPE PLUG	3/8-18 NPT	3 3



REDRAWN FOR  
CONFORMITY  
RWB per KAB  
7-20-04

REVISIONS

SYMBOL	DESCRIPTION
✓	16
✓	32
✓	63
✓	125
✓	250
✓	500
✓	1000

AN ALCO INDUSTRIES COMPANY  
BEARING PRODUCTS  
ODESSA, TX. USA

SDAF 22526	04-07
ASSEMBLY DRAWING	
SCALE HALF	ASSEMBLY NO.
DRAWN BAB	
DATE 5/29/86	DRAWING NO.
CHK:	C-14604

TOLERANCE: UNLESS OTHERWISE SPECIFIED  
FRACTIONS ± 1/32"  
DECIMALS ± .005"  
CASTING ± 1/16"  
WELD ± 1/16"  
ANGLES ± .30°  
A.I.S.I. STANDARD FINISHES