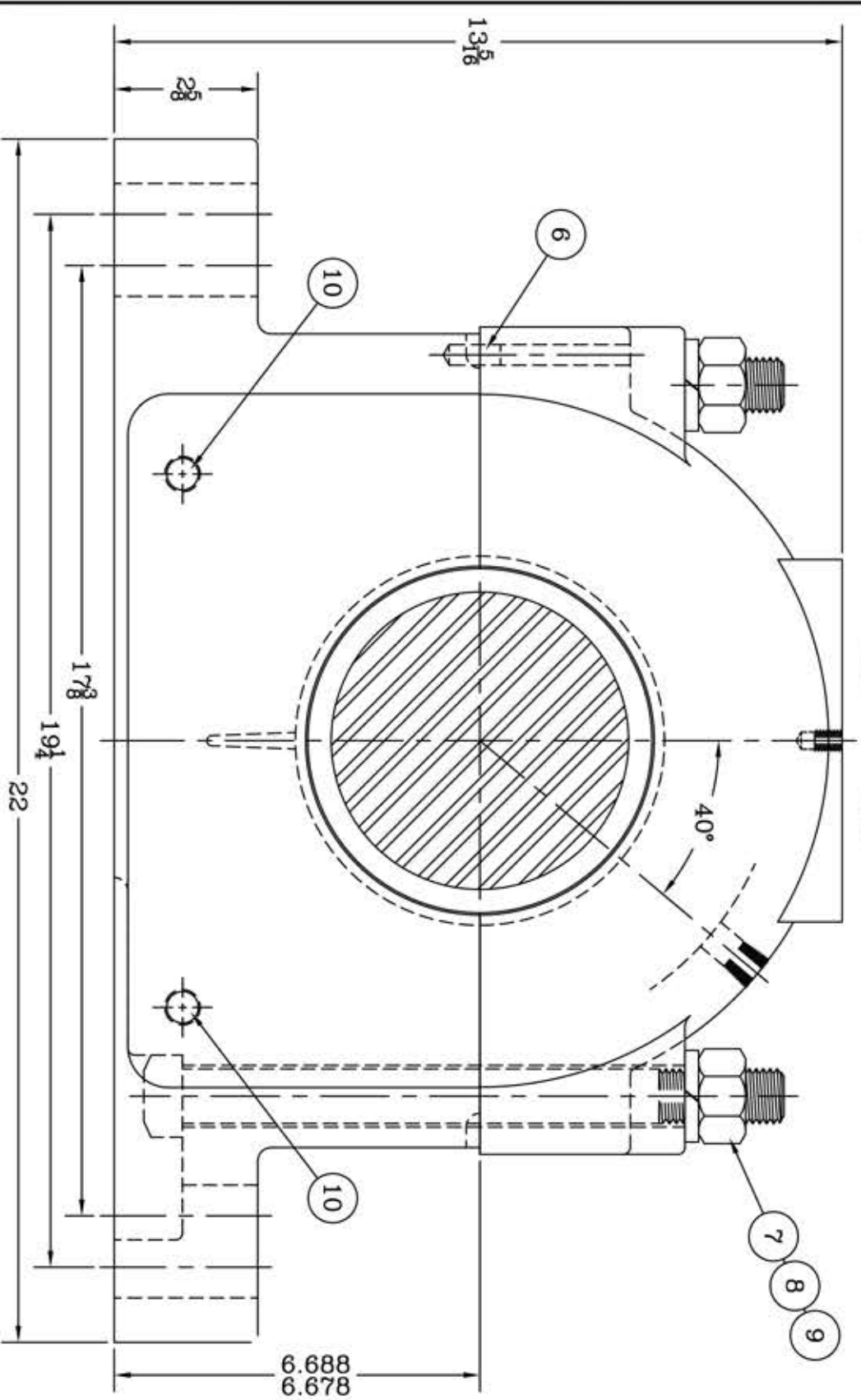
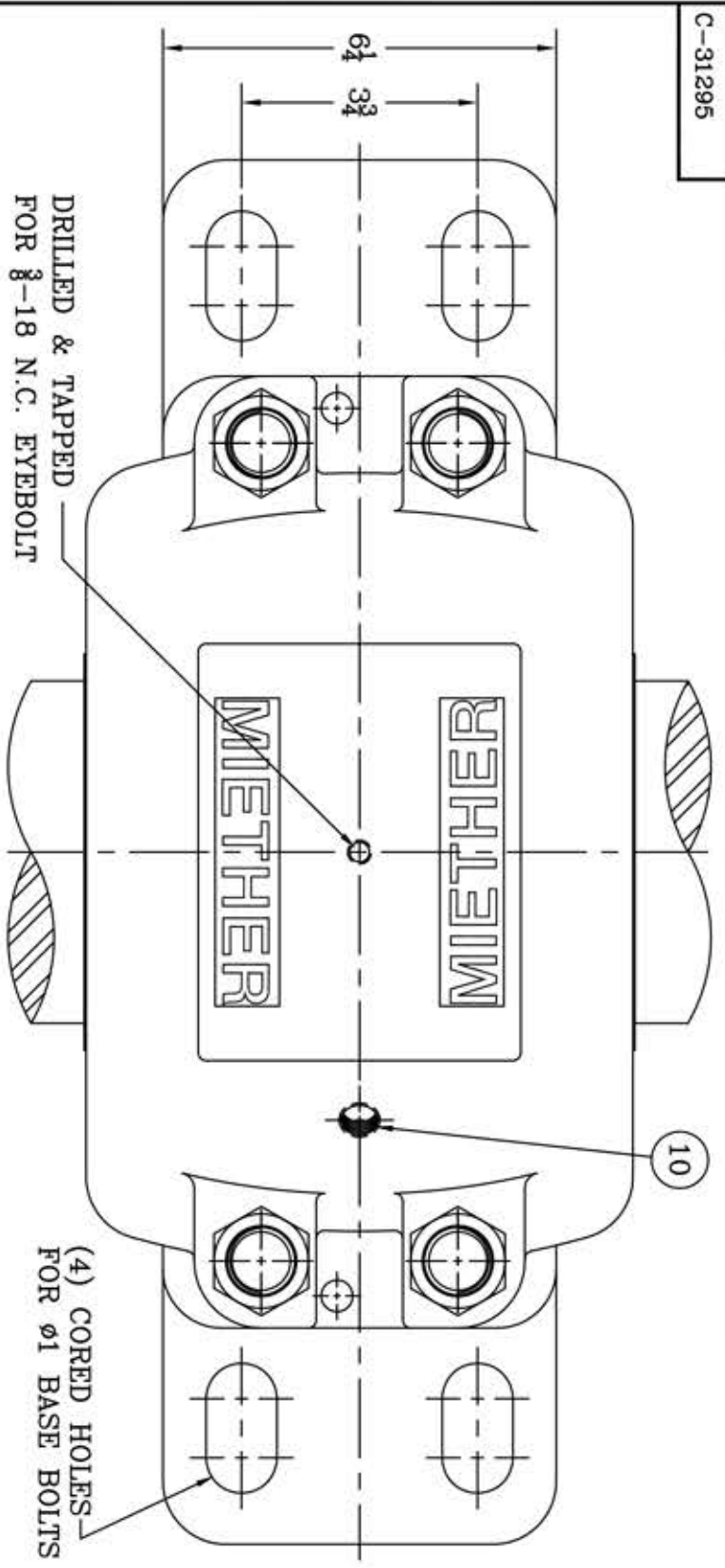
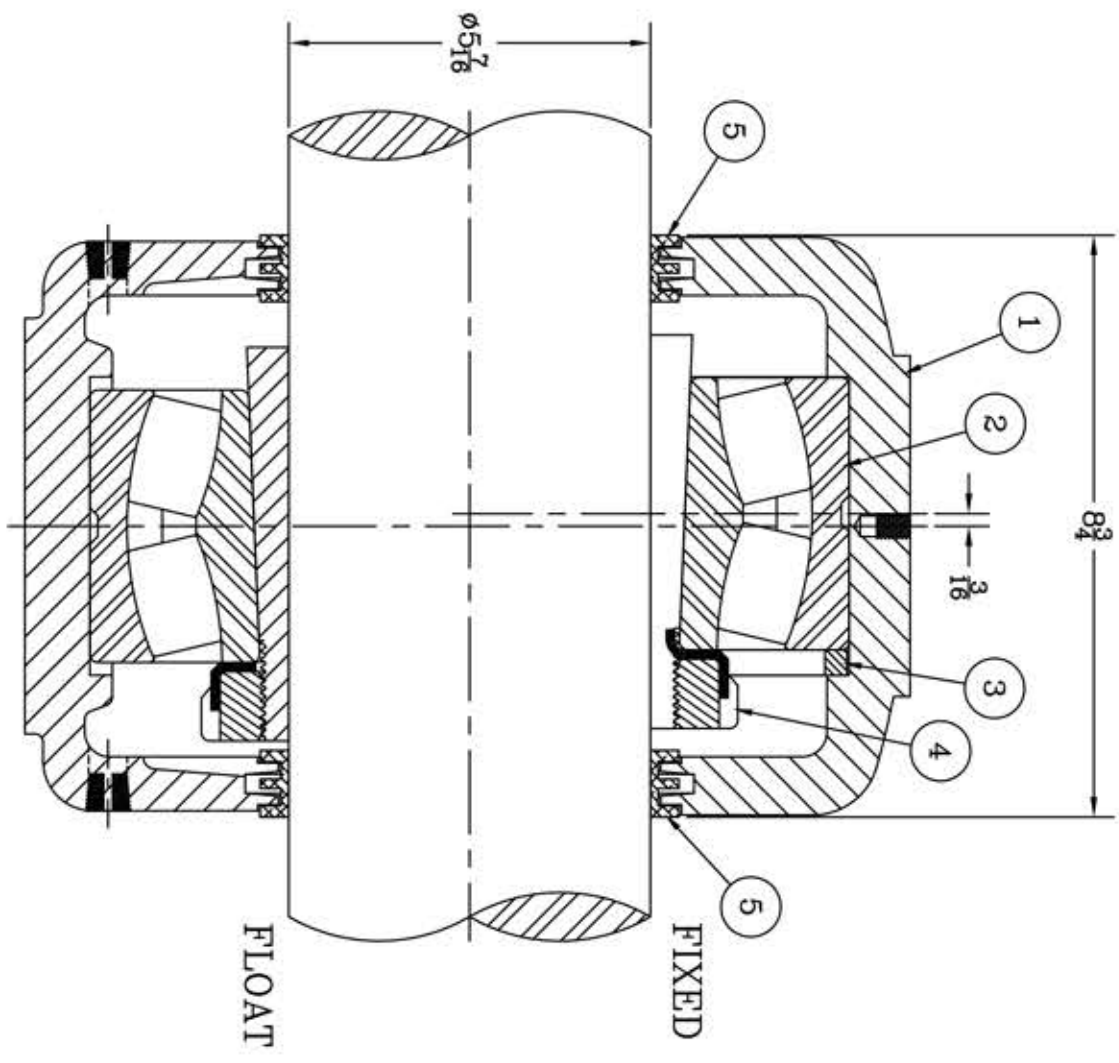


This drawing is the sole property of Miether Bearing Products and contains confidential and proprietary information. It is being provided to you for your use and may not be disclosed to any third party or used for any other purpose without Miether's prior written consent. The [materials] must be returned to the Company upon its demand. Your acceptance of these materials constitutes your acceptance of the foregoing terms.

C-31295



ITEM	DESCRIPTION	DETAIL	REQUIRED
1	HOUSING SAW 532	C-10964-R	1 1
2	SPHERICAL ROLLER BEARING	23232K/W-33	1 1
3	STABILIZING RING SR-32-0	A-10608	1 0
4	ADAPTER SNW 132 05-07	B-10869	1 1
5	TRIPLE SEAL RING LER-130	A-10582	2 2
6	DOWEL	Ø 1/2 x 3/4 LONG	2 2
7	CAP BOLT SQUARE HEAD	1"-8 NC x 11" LONG	4 4
8	CAP BOLT HEX. NUT	1"-8 NC	4 4
9	LOCKWASHER	1" SPLIT MED.	4 4
10	PIPE PLUG	3/8-18 NPT	5 5



REVISIONS

SYMBOL	DESCRIPTION	MICRO-INCH VALUE
✓		16
✓		32
✓		63
✓		125
✓		250
✓		500
✓		1000

TOLERANCE: UNLESS OTHERWISE SPECIFIED
 FRACTIONS ± 1/32" ANGLES ± 0° 30'
 DECIMALS ± .005" WELD ± 1/16"
 CASTING ± 1/16"

A.I.S.I. STANDARD FINISHES

AN ALCO INDUSTRIES COMPANY
 BEARING PRODUCTS
 ODESSA, TX. USA

SAW 23532 05-07
 ASSEMBLY DRAWING

SCALE HALF
 DRAWN A.R.
 DATE 5/31/06
 CHK.

ASSEMBLY NO.
 DRAWING NO. C-31295