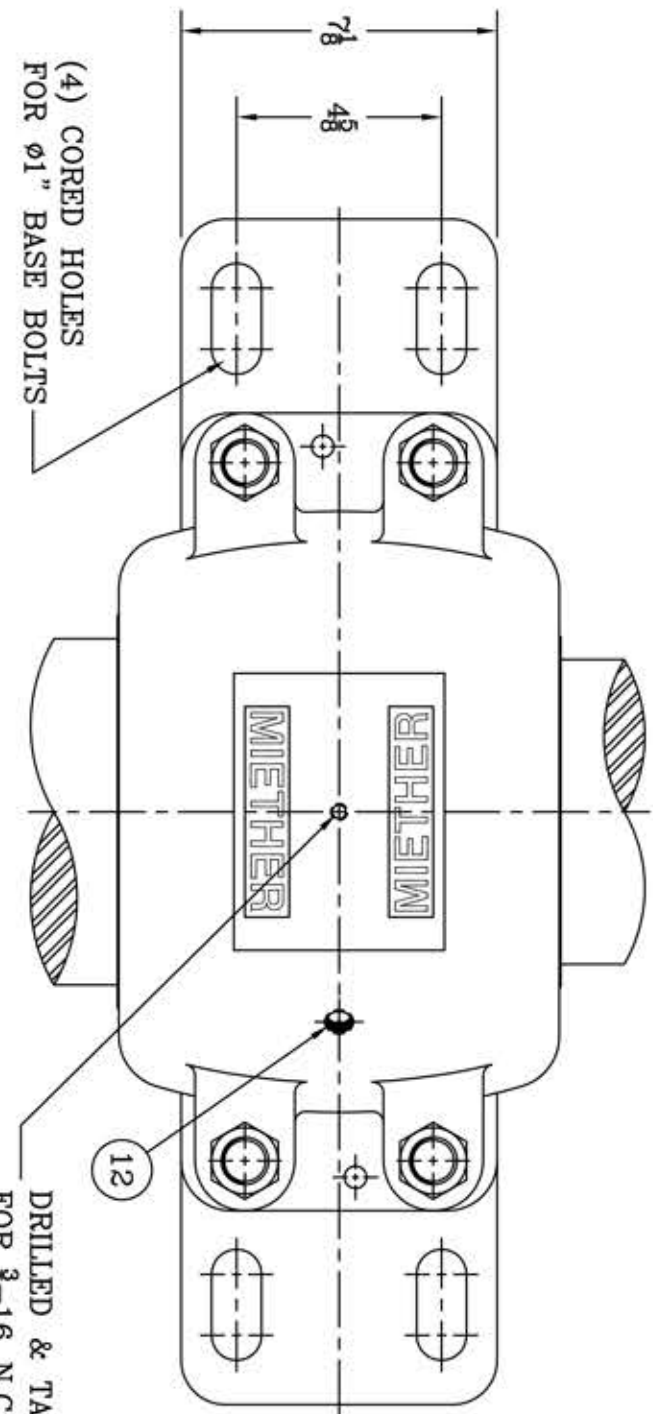


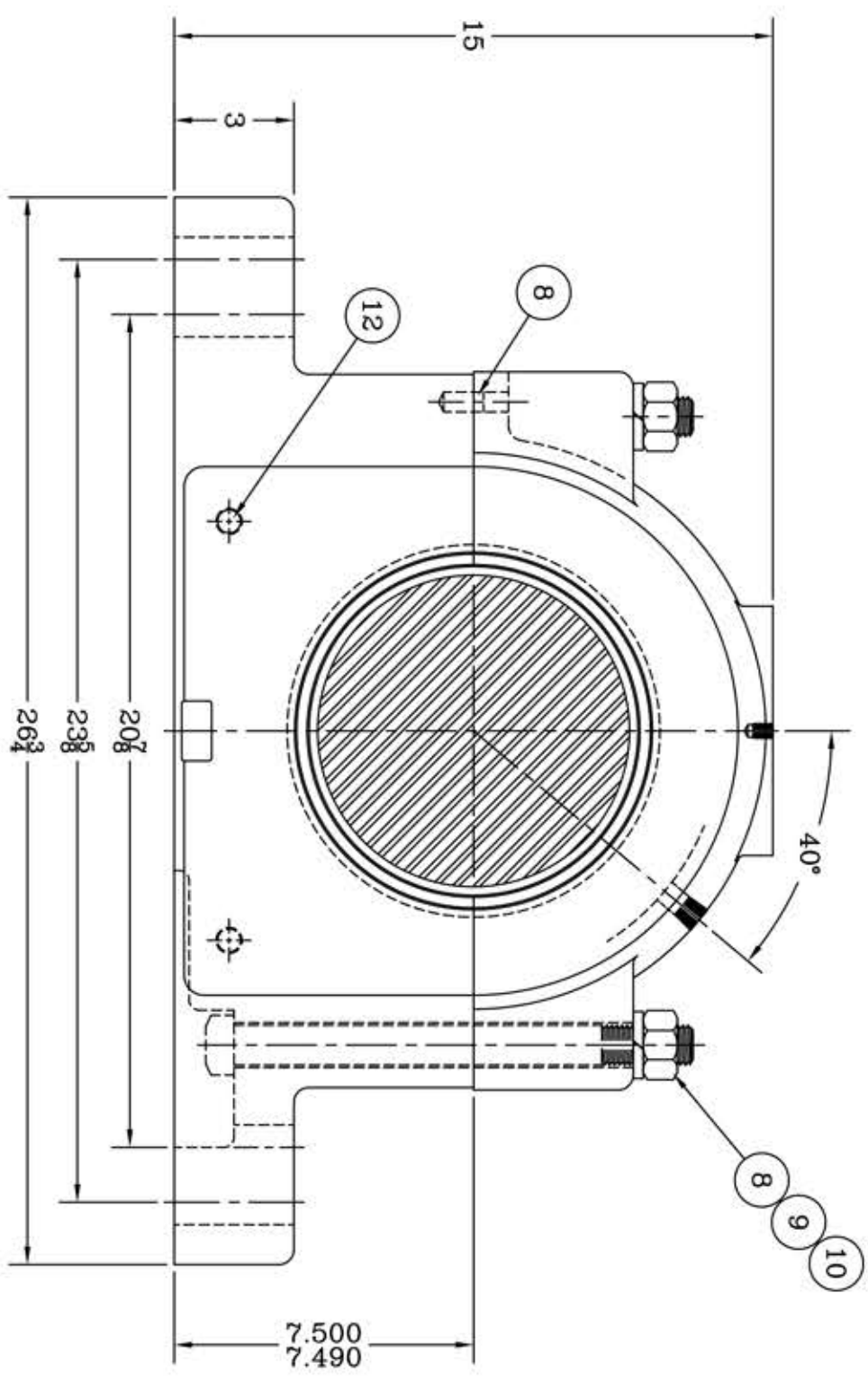
This drawing is the sole property of Miether Bearing Products and contains confidential and proprietary information. It is being provided to you for your use and may not be disclosed to any third party or used for any other purpose without Miether's prior written consent. The [materials] must be returned to the Company upon its demand. Your acceptance of these materials constitutes your acceptance of the foregoing terms.

C-28197

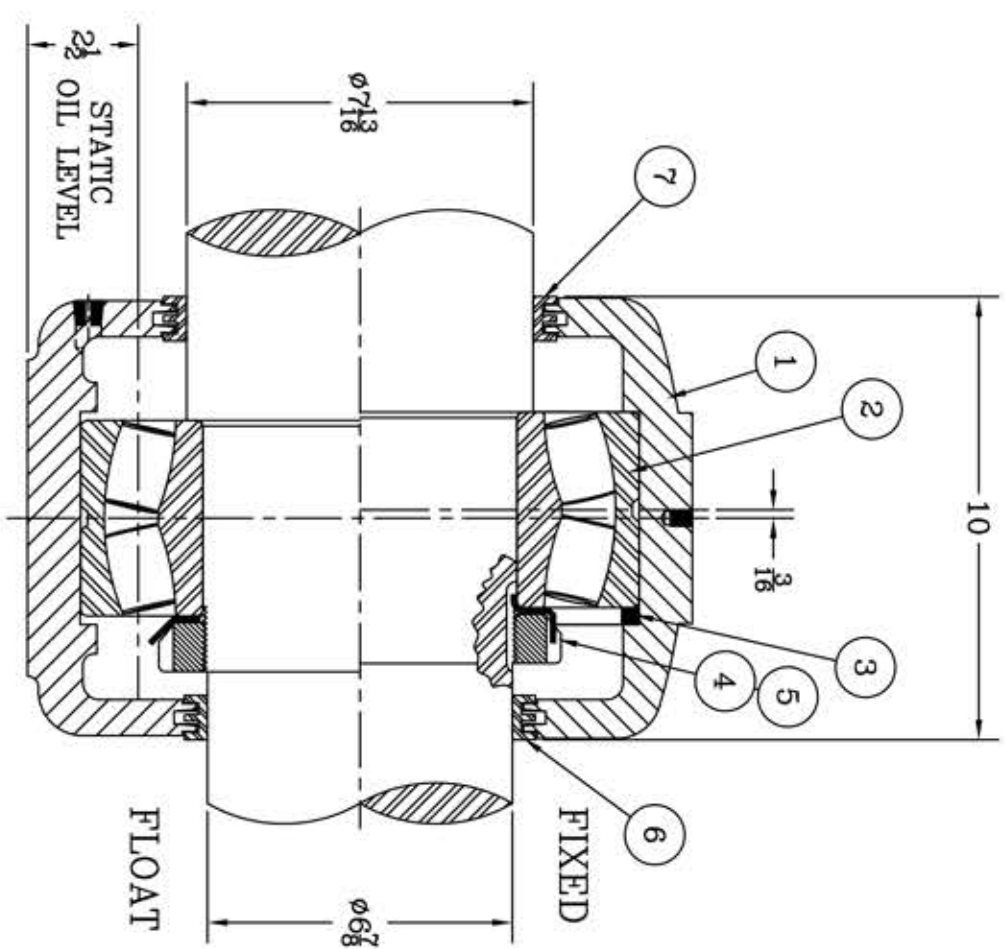


(4) CORED HOLES FOR $\phi 1$ " BASE BOLTS

DRILLED & TAPPED FOR $\frac{3}{8}$ -16 N.C. EYEBOLT



ITEM	DESCRIPTION	DETAIL	REQUIRED
1	HOUSING SAW-236	C-18344-R	1 1
2	SPHERICAL ROLLER BEARING	23236/W-33	1 1
3	STABILIZING RING SR-36-30	A-10610	1 0
4	LOCKNUT AN-36	B-10422	1 1
5	LOCKWASHER W-36	00252	1 1
6	TRIPLE SEAL RING LER-154	A-10672	1 1
7	TRIPLE SEAL RING LER-165	A-10675	1 1
8	DOWEL	$\phi \frac{1}{2}$ x 1" LONG	2 2
9	CAP BOLT SQUARE HEAD	1-8 NC x 1 1/2" LONG	4 4
10	CAP BOLT HEX. NUT	1-8 NC	4 4
11	LOCKWASHER	1" SPLIT MED.	4 4
12	PIPE PLUG	$\frac{3}{8}$ -18 NPT	3 3



REDRAWN FOR CONFORMITY
RWB per KAB
11-10-04

REVISIONS

SYMBOL	DESCRIPTION
C	16
D	32
E	63
F	125
G	250
J	500
K	1000

AN ALCO INDUSTRIES COMPANY
BEARING PRODUCTS
ODESSA, TX. USA

SAW 23236	07-13 x 06-14
ASSEMBLY DRAWING	
SCALE 1 = 3	ASSEMBLY NO.
DRAWN OMI	
DATE 9/22/97	DRAWING NO.
CHK:	C-28197

TOLERANCE: UNLESS OTHERWISE SPECIFIED
FRACTIONS $\pm 1/32$ " ANGLES $\pm 0^\circ 30'$
DECIMALS ± 0.005 WELD $\pm 1/16$ "
CASTING $\pm 1/16$ "