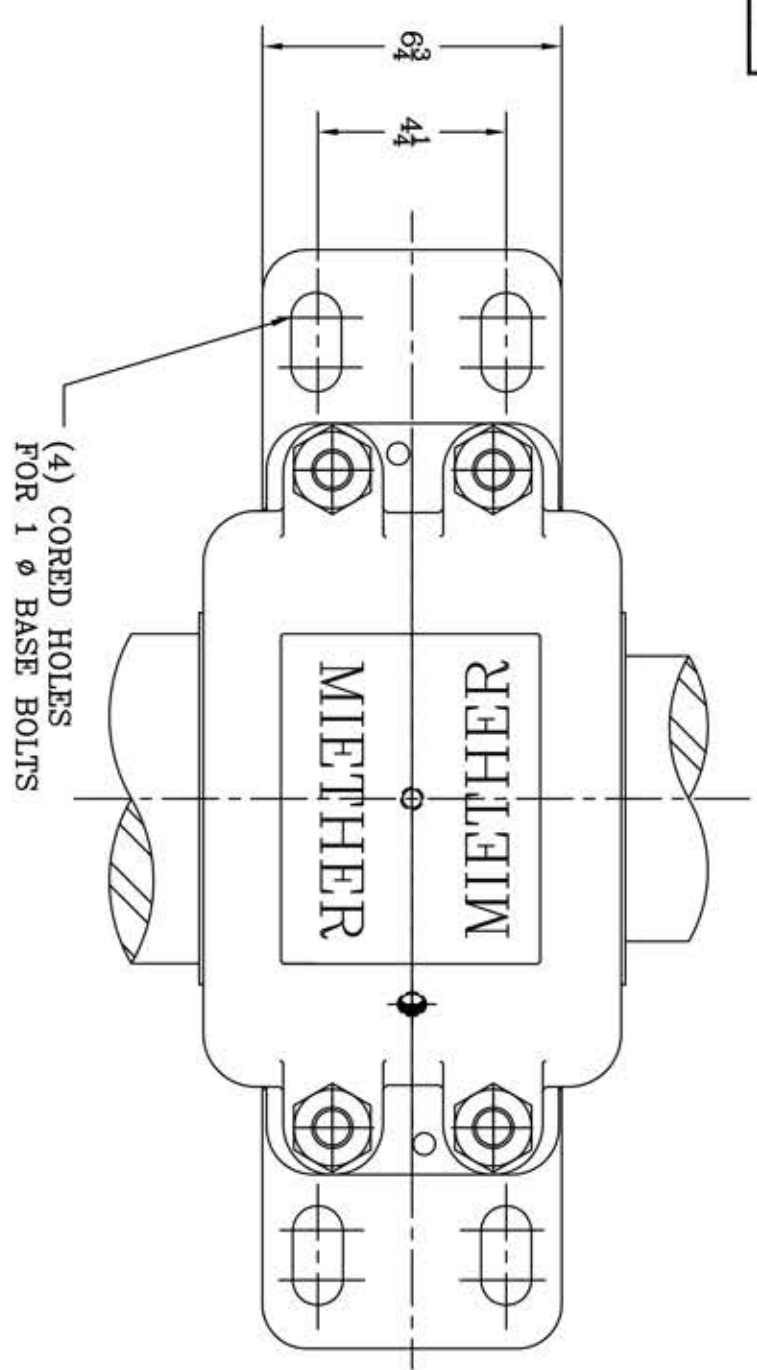
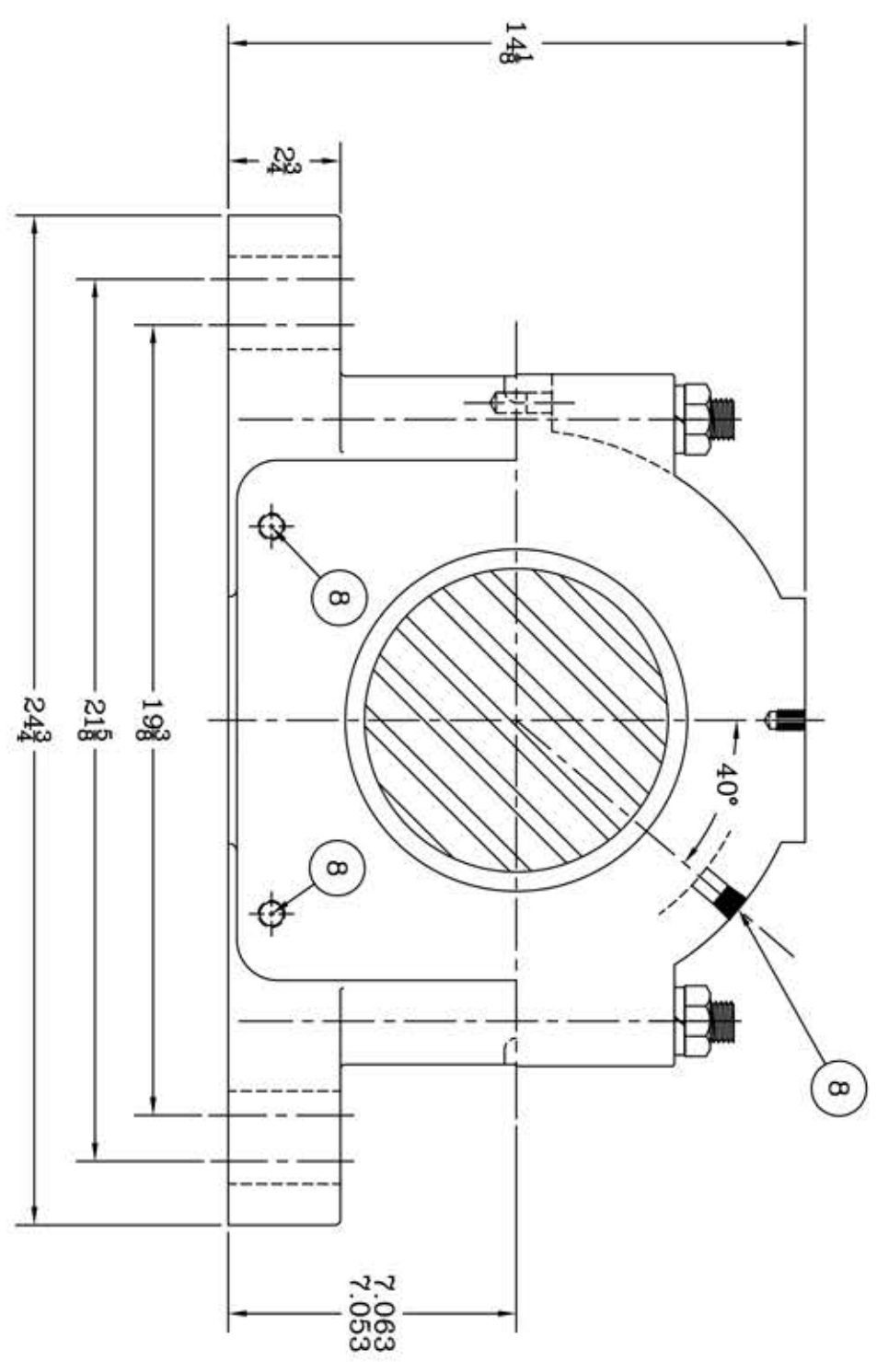


This drawing is the sole property of Miether Bearing Products and contains confidential and proprietary information. It is being provided to you for your use and may not be disclosed to any third party or used for any other purpose without Miether's prior written consent. The [materials] must be returned to the Company upon its demand. Your acceptance of these materials constitutes your acceptance of the foregoing terms.

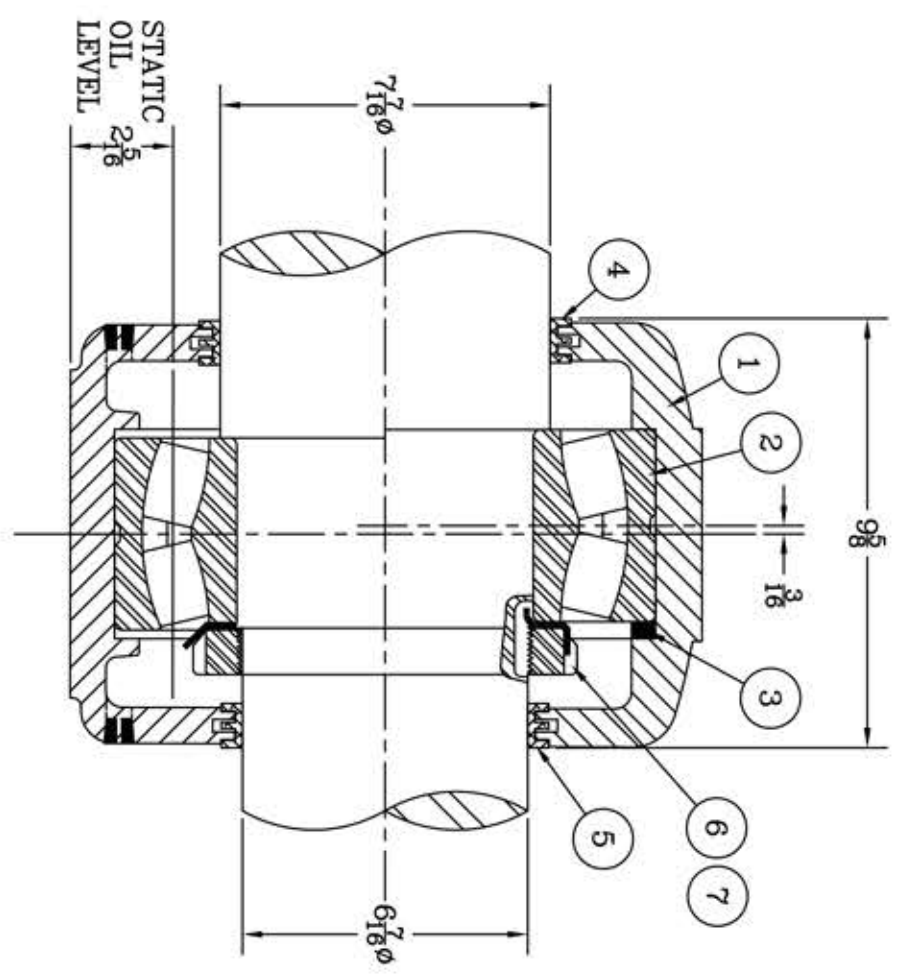
C-29424



(4) CORED HOLES  
FOR 1" Ø BASE BOLTS



ITEM	DESCRIPTION	DETAIL	QTY
1	HOUSING SAW 234	C-17446	1
2	SPHERICAL ROLLER BEARING	23234	1
3	STABILIZING RING SR-34-0	A-10609	1
4	TRIPLE SEAL RING LER 161	A-10673	1
5	TRIPLE SEAL RING LER 148	A-10586	1
6	LOCKNUT AN 34	B-10421	1
7	LOCKWASHER W 34		1
8	PIPE PLUG	3/8-18 NPT	3
9			



REVISIONS	
SYMBOL	VALUE
✓	16
✓	32
✓	63
✓	125
✓	250
✓	500
✓	1000

TOLERANCE: UNLESS OTHERWISE SPECIFIED  
 FRACTIONS  $\pm 1/32"$  ANGLES  $\pm 0^\circ 30'$   
 DECIMALS  $\pm .005"$  WELD  $\pm 1/16"$   
 CASTING  $\pm 1/16"$

A.I.S.I. STANDARD FINISHES

AN ALCO INDUSTRIES COMPANY  
 BEARING PRODUCTS  
 ODESSA, TX. USA

SAW 23234 07-07 x 06-07  
 ASSEMBLY DRAWING

SCALE 1 = 3  
 DRAWN OMI  
 DATE 8/18/99  
 CHK.

ASSEMBLY NO.  
 DRAWING NO.  
 C-29424