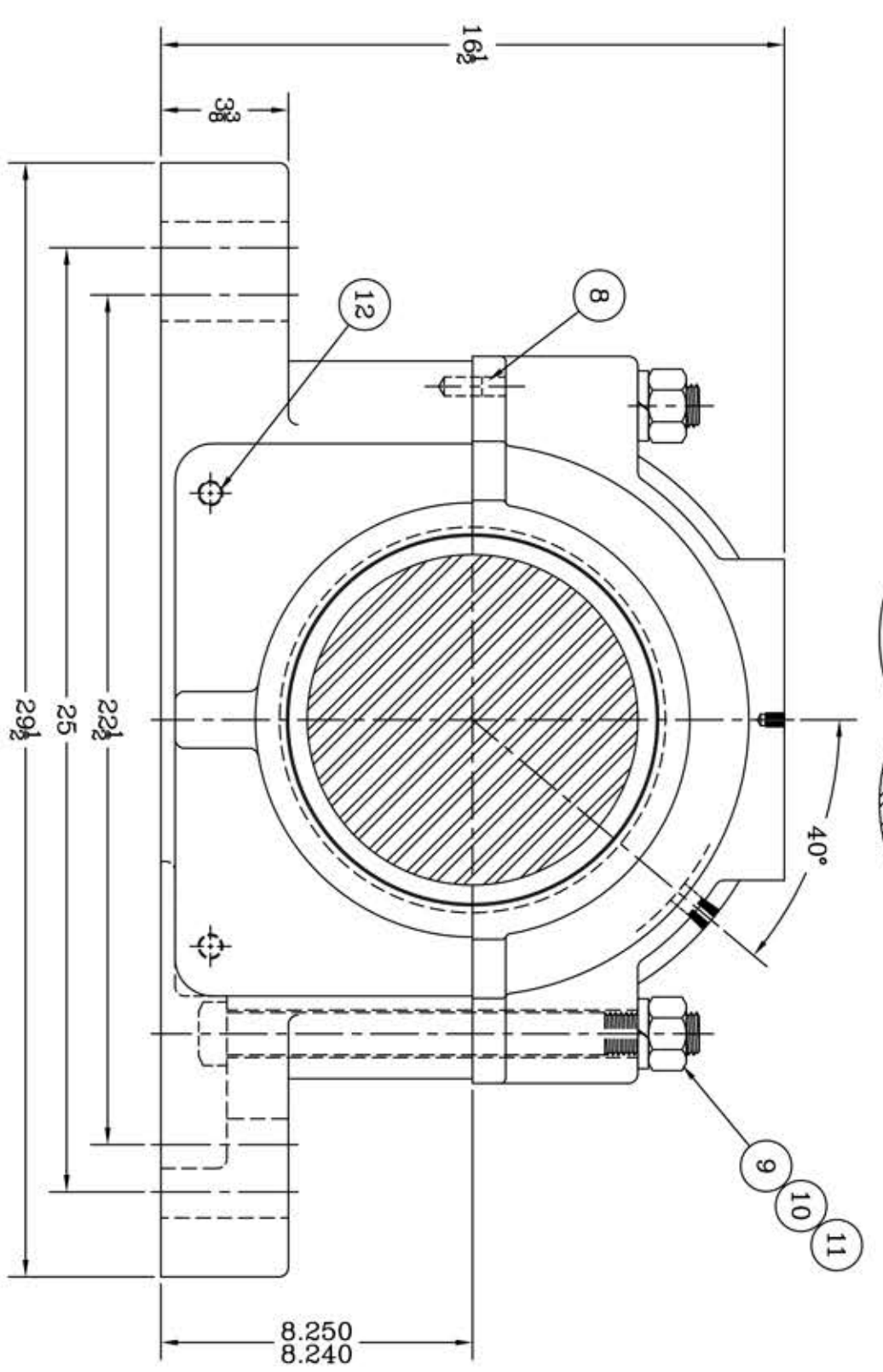
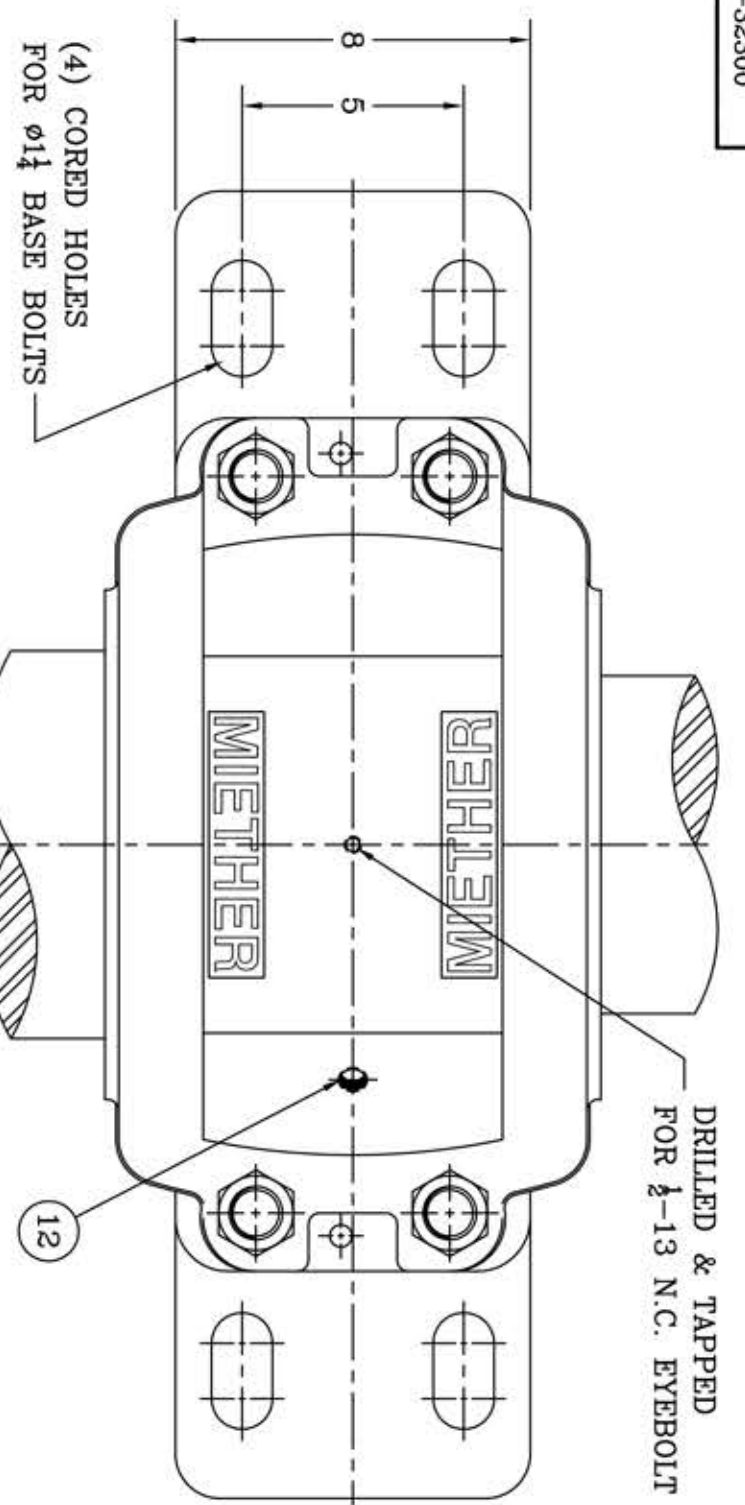
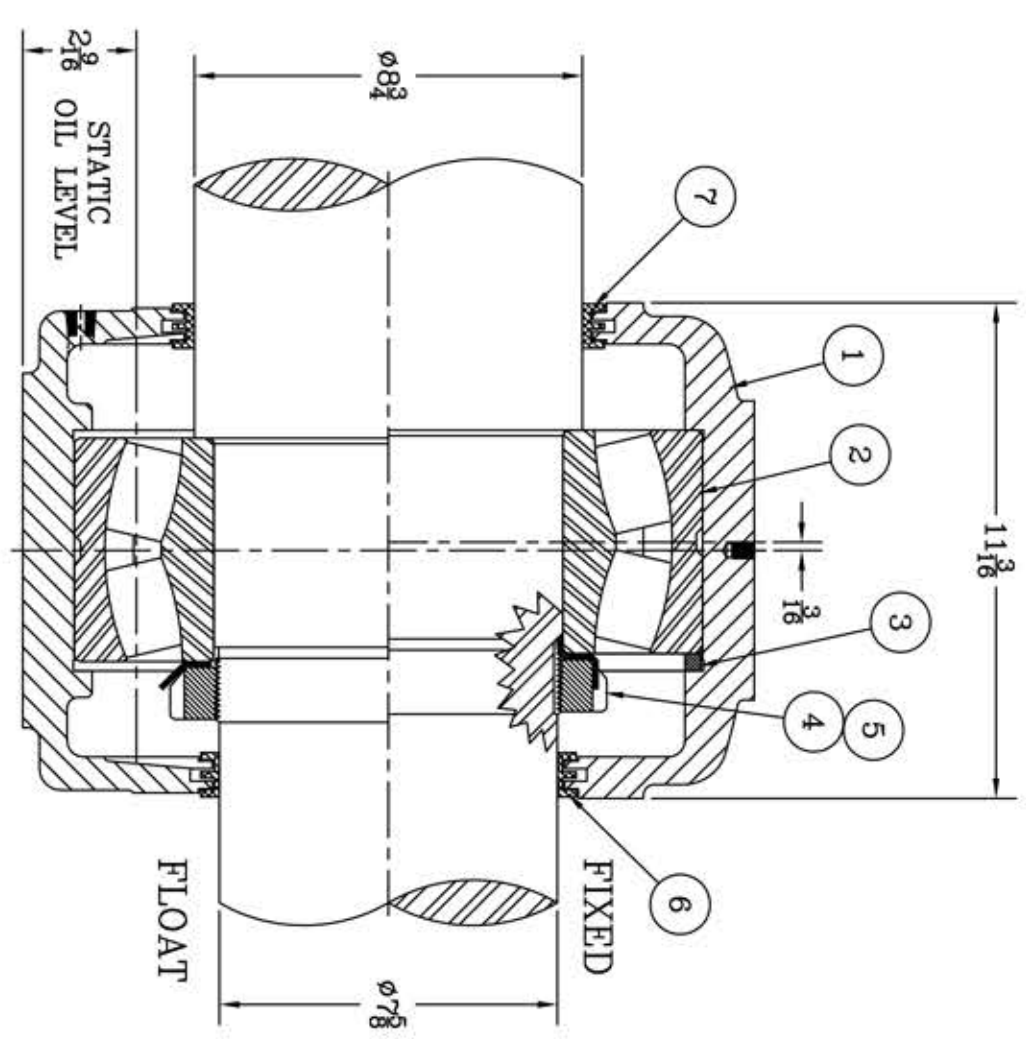


This drawing is the sole property of Miether Bearing Products and contains confidential and proprietary information. It is being provided to you for your use and may not be disclosed to any third party or used for any other purpose without Miether's prior written consent. The [materials] must be returned to the Company upon its demand. Your acceptance of these materials constitutes your acceptance of the foregoing terms.

C-32300



ITEM	DESCRIPTION	DETAIL	REQUIRED
1	HOUSING SAWD 240	C-27139	1 1
2	SPHERICAL ROLLER BEARING	23240/W-33	1 1
3	STABILIZING RING SR-40-34	A-10611	1 0
4	LOCKNUT AN-40	B-10424	1 1
5	LOCKWASHER W-40	00235	1 1
6	TRIPLE SEAL RING LER-164	A-10674	1 1
7	TRIPLE SEAL RING LER-175	A-10677	1 1
8	DOWEL Ø½ x 1" LONG		2 2
9	CAP BOLT SQUARE HEAD GR. 8	1½-7 NC x 12½ LONG	4 4
10	CAP BOLT HEX. NUT GR. 8	1½-7 NC	4 4
11	LOCKWASHER	1½ SPLIT MED.	4 4
12	PIPE PLUG	¾-18 NPT	3 3



REVISIONS

SYMBOL	DESCRIPTION
✓	16
✓	32
✓	63
✓	125
✓	250
✓	500
✓	1000

TOLERANCE: UNLESS OTHERWISE SPECIFIED  
 FRACTIONS ± 1/32" ANGLES ± 0° 30'  
 DECIMALS ± .005" WELD ± 1/16"  
 CASTING ± 1/16"

A.I.S.I. STANDARD FINISHES  
 MICRO-INCH VALUE

AN ALCO INDUSTRIES COMPANY  
 BEARING PRODUCTS  
 ODESSA, TX. USA

HSG. MATERIAL- DUCTILE IRON  
 ASTM A536 65-45-12

SAWD 23240 08-12x07-10  
 ASSEMBLY DRAWING

SCALE 1 = 3  
 DRAWN AR  
 DATE 6/9/05  
 CHK:

ASSEMBLY NO.  
 DRAWING NO. C-32300