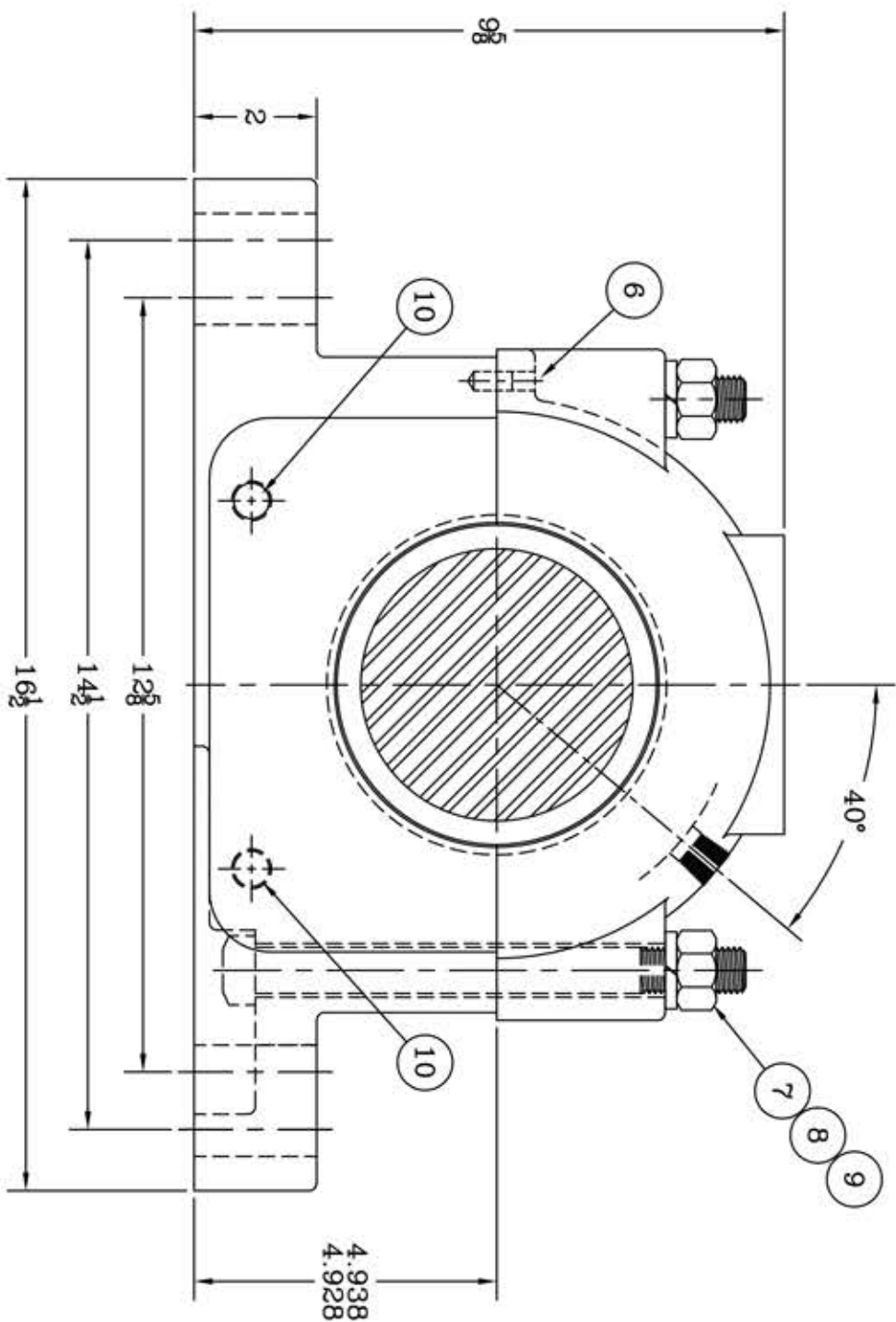
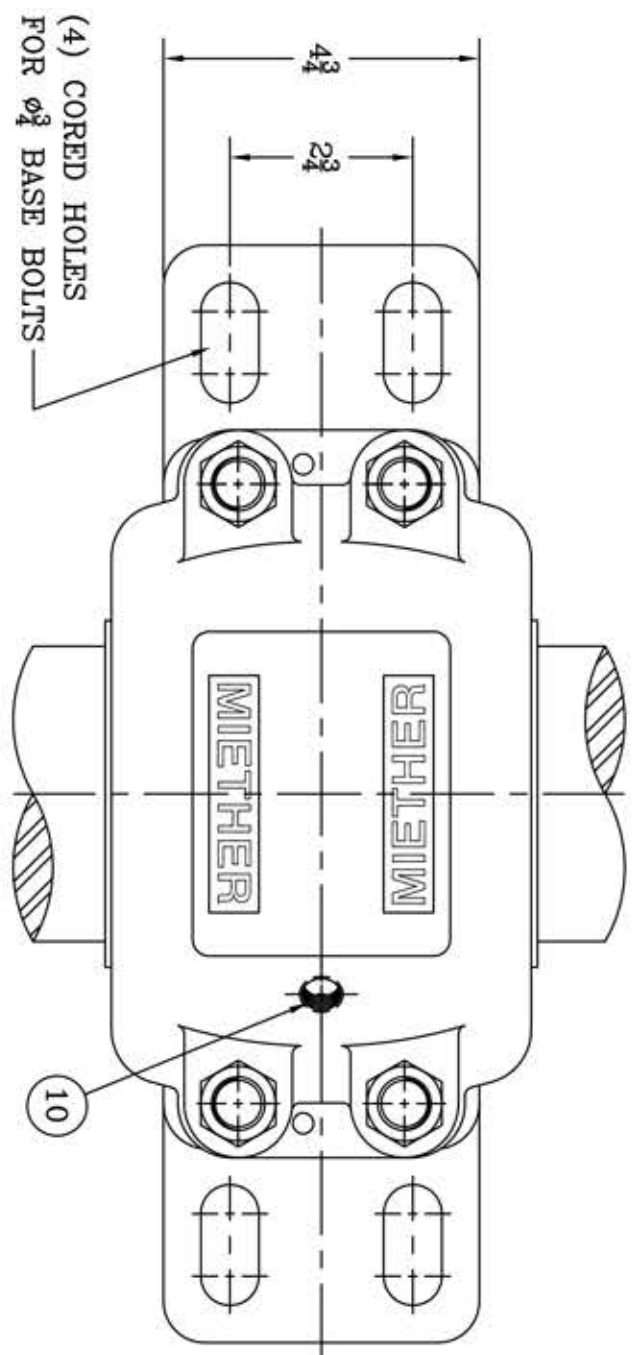
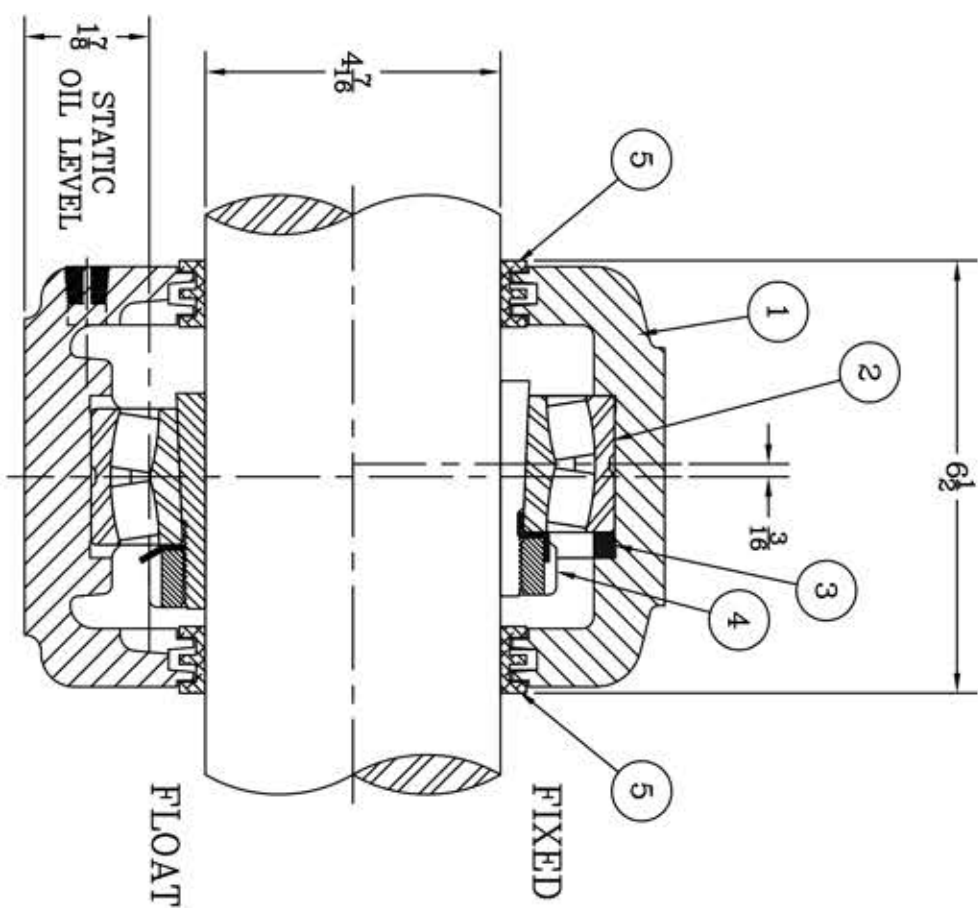


This drawing is the sole property of Miether Bearing Products and contains confidential and proprietary information. It is being provided to you for your use and may not be disclosed to any third party or used for any other purpose without Miether's prior written consent. The [materials] must be returned to the Company upon its demand. Your acceptance of these materials constitutes your acceptance of the foregoing terms.

C-35241



| ITEM | DESCRIPTION               | DETAIL                  | REQUIRED |
|------|---------------------------|-------------------------|----------|
| 1    | HOUSING SAFD 026          | C-                      | 1 1      |
| 2    | SPHERICAL ROLLER BEARING  | 23026K/W-33             | 1 1      |
| 3    | STABILIZING RING SR-22-19 | A-10603                 | 1 0      |
| 4    | ADAPTER SNW-3026 04-07    | B-24483                 | 1 1      |
| 5    | TRIPLE SEAL RING LER-117  | A-10497                 | 2 2      |
| 6    | DOWEL                     | $\phi 1/8$ x $3/8$ LONG | 2 2      |
| 7    | CAP BOLT SQUARE HEAD GR.5 | $3/10$ NC x 8" LONG     | 4 4      |
| 8    | CAP BOLT HEX. NUT         | $3/10$ NC               | 4 4      |
| 9    | LOCKWASHER                | $3/16$ SPLIT MED.       | 4 4      |
| 10   | PIPE PLUG                 | $3/18$ NPT              | 3 3      |



REVISIONS

| SYMBOL | DESCRIPTION | DATE |
|--------|-------------|------|
| C      |             | 16   |
| D      |             | 32   |
| E      |             | 63   |
| F      |             | 125  |
| G      |             | 250  |
| J      |             | 500  |
| K      |             | 1000 |

TOLERANCE: UNLESS OTHERWISE SPECIFIED  
 FRACTIONS  $\pm 1/32$ " ANGLES  $\pm 0^\circ 30'$   
 DECIMALS  $\pm .005$ " WELD  $\pm 1/16$ "  
 CASTING  $\pm 1/16$ "

A.S.I. STANDARD FINISHES

AN ALCO INDUSTRIES COMPANY  
 BEARING PRODUCTS  
 ODESSA, TX. USA

SAFD 23026 K 04-07  
 ASSEMBLY DRAWING

SCALE HALF  
 DRAWN PCF  
 DATE 1/4/13  
 CHECK:

ASSEMBLY NO.  
 DRAWING NO.  
 C-35241