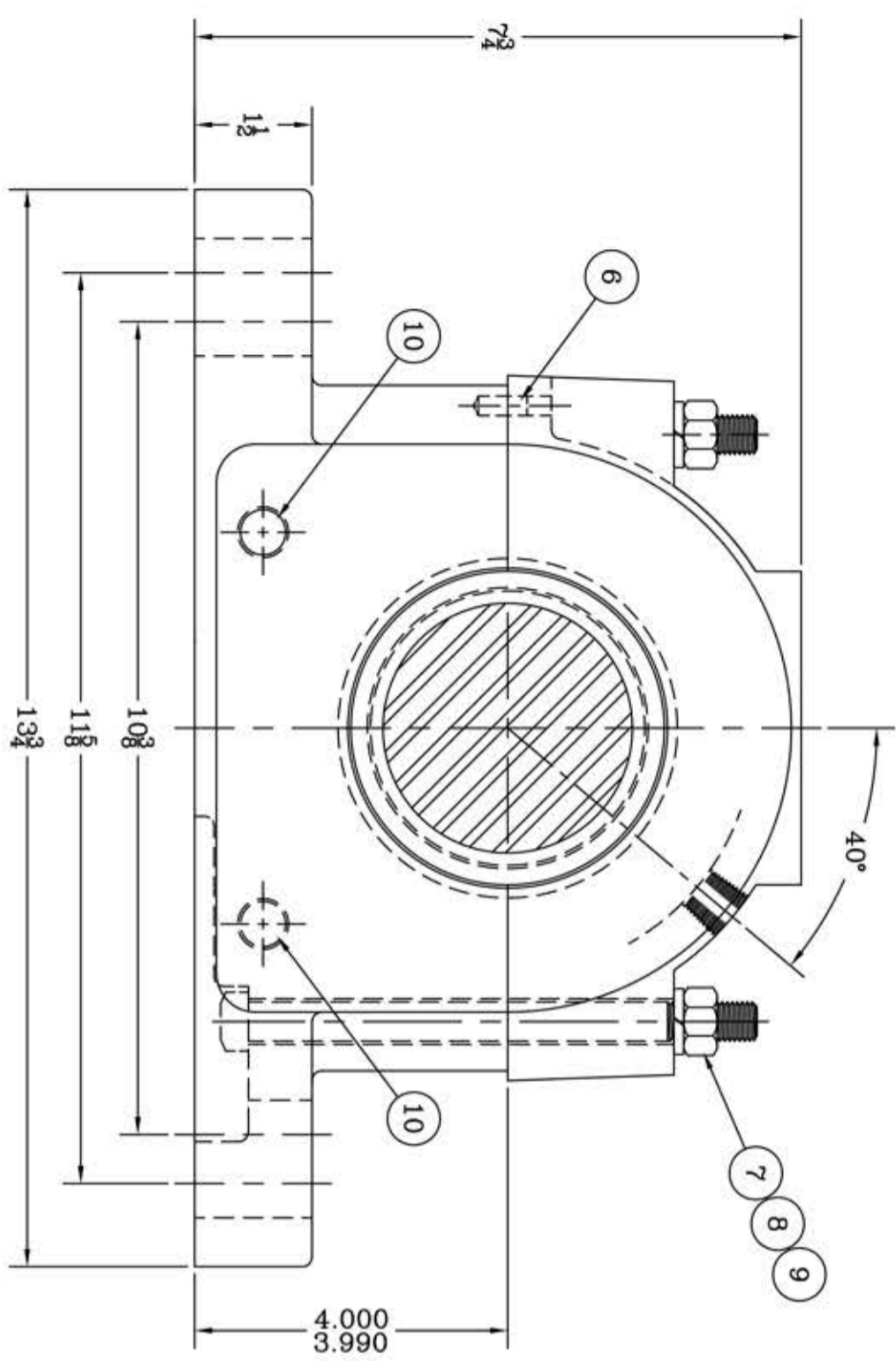
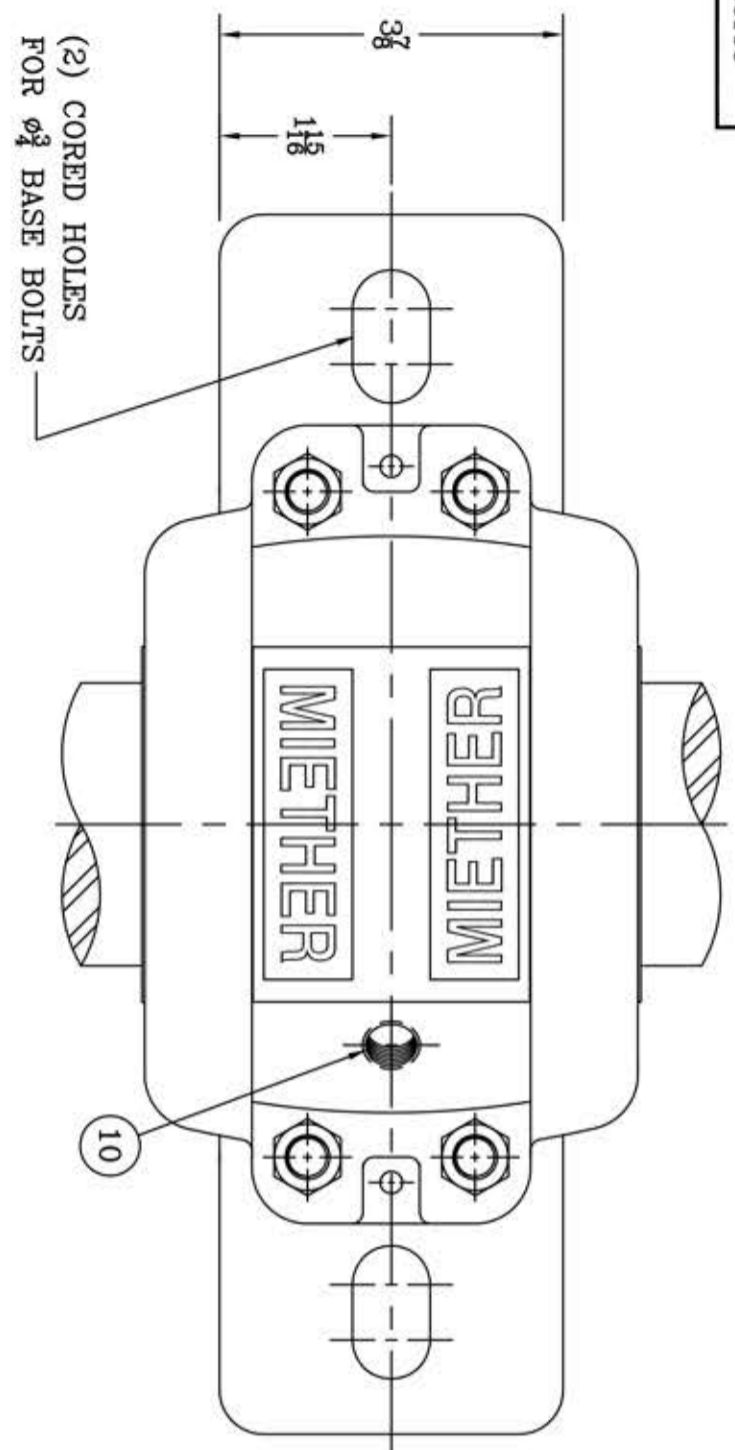
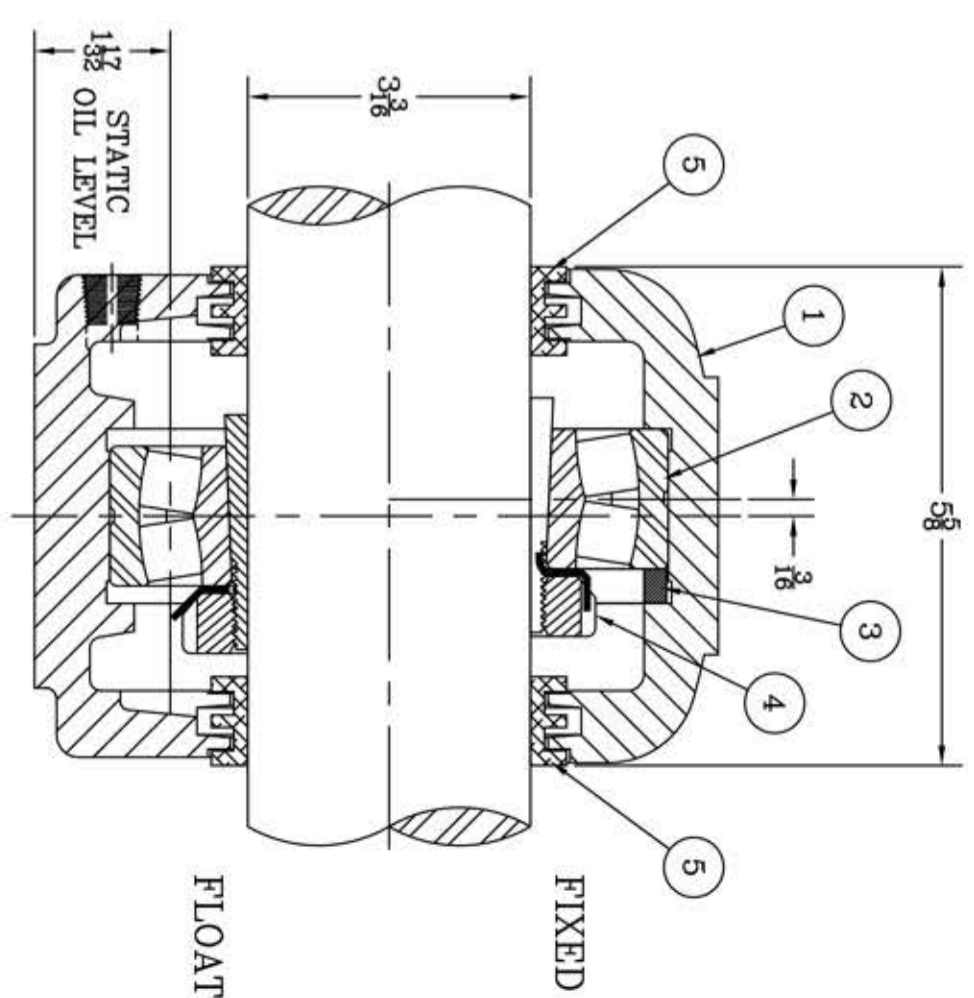


This drawing is the sole property of Miether Bearing Products and contains confidential and proprietary information. It is being provided to you for your use and may not be disclosed to any third party or used for any other purpose without Miether's prior written consent. The [materials] must be returned to the Company upon its demand. Your acceptance of these materials constitutes your acceptance of the foregoing terms.

C-35138



ITEM	DESCRIPTION	DETAIL	REQUIRED
1	HOUSING SAFD 518	C-	1 1
2	SPHERICAL ROLLER BEARING	22218K/W-33	1 1
3	STABILIZING RING SR-18-15	A-10601	1 0
4	ADAPTER SNW-18 03-03	B-24413	1 1
5	TRIPLE SEAL RING LER-188	A-11797	2 2
6	DOWEL	Ø1/4 x 3/8 LONG	2 2
7	CAP BOLT SQUARE HEAD Gr.5	1/2-13 NC x 6 1/2" LONG	4 4
8	CAP BOLT HEX. NUT	1/2-13 NC	4 4
9	LOCKWASHER	1/2 SPLIT MED.	4 4
10	PIPE PLUG	3/8-18 NPT	3 3



REVISIONS

SYMBOL	DESCRIPTION	MICRO-INCH VALUE
C		16
D		32
E		63
F		125
G		250
J		500
K		1000

TOLERANCE: UNLESS OTHERWISE SPECIFIED
 FRACTIONS ± 1/32" ANGLES ± 0°-30'
 DECIMALS ± .005" WELD ± 1/16"
 CASTING ± 1/16"

A.I.S.I. STANDARD FINISHES

AN ALCO INDUSTRIES COMPANY
 BEARING PRODUCTS
 ODESSA, TX. USA

SAFD 22518 03-03
 ASSEMBLY DRAWING

SCALE 1 = 1.5
 DRAWN PCF
 DATE 11/9/12
 CHK:

ASSEMBLY NO.
 DRAWING NO.
 C-35138