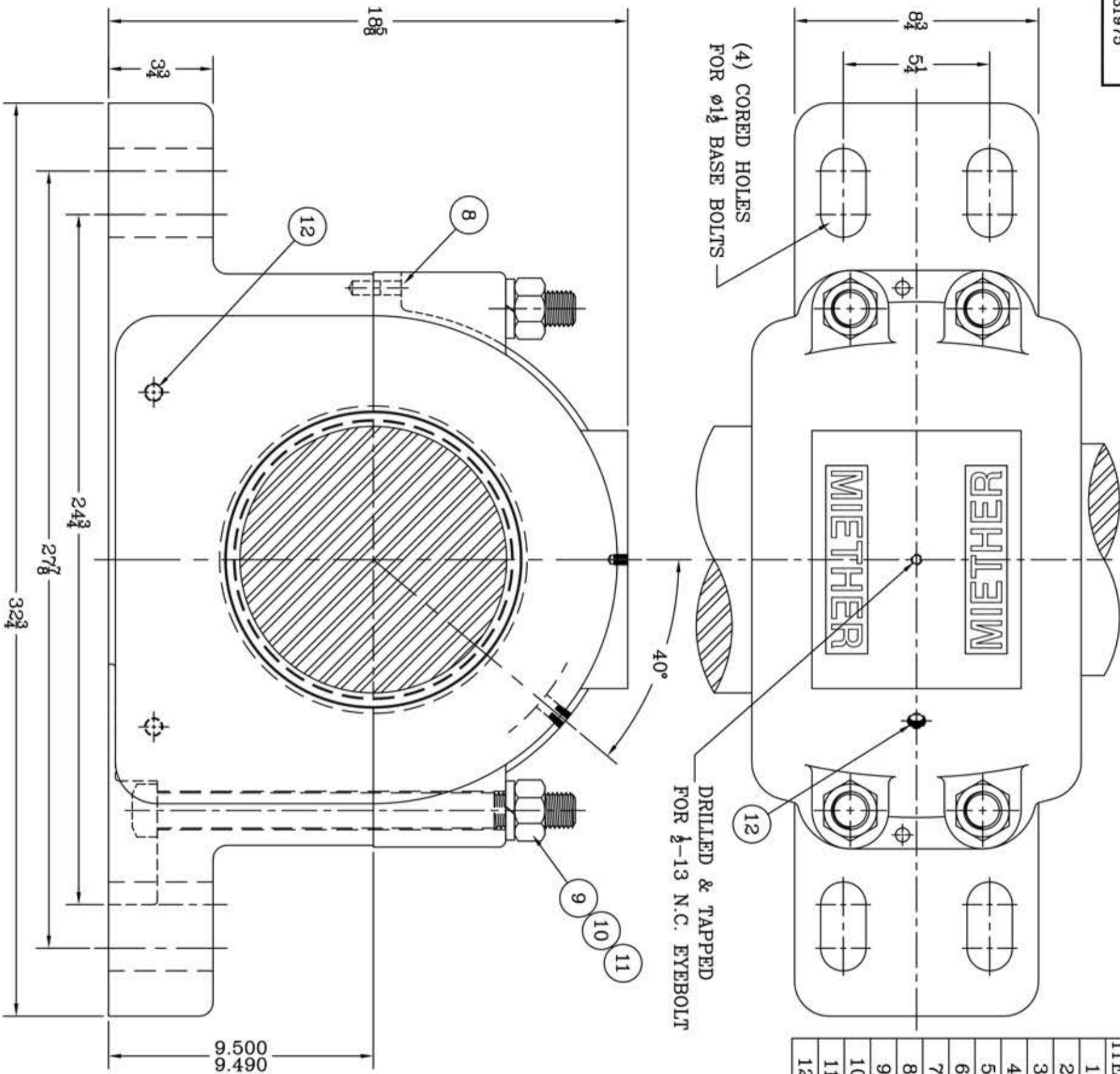
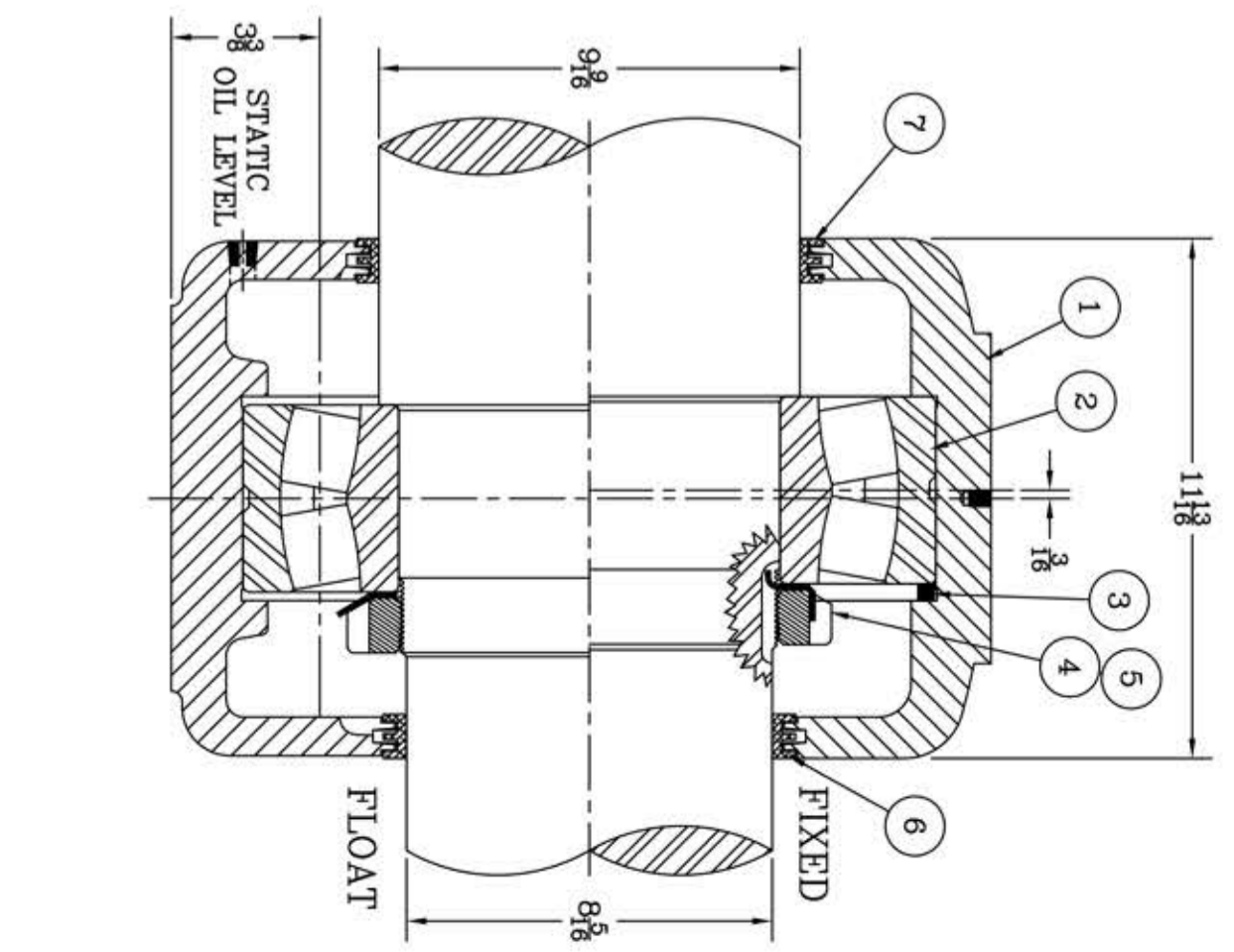


This drawing is the sole property of Miether Bearing Products and contains confidential and proprietary information. It is being provided to you for your use and may not be disclosed to any third party or used for any other purpose without Miether's prior written consent. The [materials] must be returned to the Company upon its demand. Your acceptance of these materials constitutes your acceptance of the foregoing terms.

C-31975



ITEM	DESCRIPTION	DETAIL	REQUIRED
1	HOUSING SAFD 244	C-13146-R	1 1
2	SPHERICAL ROLLER BEARING	22244	1 1
3	STABILIZING RING SR-44-38	A-10612	1 0
4	LOCKNUT N-44	B-10425	1 1
5	LOCKWASHER W-44	00255	1 1
6	TRIPLE SEAL RING LER-170	A-10676	1 1
7	TRIPLE SEAL RING LER-179	A-10678	1 1
8	DOWEL	Ø 1/2 x 1" LONG	2 2
9	CAP BOLT SQUARE HEAD	1 1/4-7 NC x 15" LONG	4 4
10	CAP BOLT HEX NUT	1 1/4-7 NC	4 4
11	LOCKWASHER	1 1/4 SPLIT MED.	4 4
12	PIPE PLUG	3/8-18 NPT	3 3



REVISIONS

SYMBOL	DATE	DESCRIPTION
C	16	
D	32	
E	63	
F	125	
G	250	
J	500	
K	1000	

TOLERANCE: UNLESS OTHERWISE SPECIFIED  
 FRACTIONS ± 1/32" ANGLES ± 0° 30'  
 DECIMALS ± .005" WELD ± 1/16"  
 CASTING ± 1/16"

A.I.S.I. STANDARD FINISHES

AN ALCO INDUSTRIES COMPANY  
 BEARING PRODUCTS  
 ODESSA, TX. USA

SAFD 22244 09-09 x 08-05  
 ASSEMBLY DRAWING

SCALE 1 = 3  
 DRAWN PCF  
 DATE 9/01/12  
 CHK:

ASSEMBLY NO.  
 DRAWING NO. C-31975