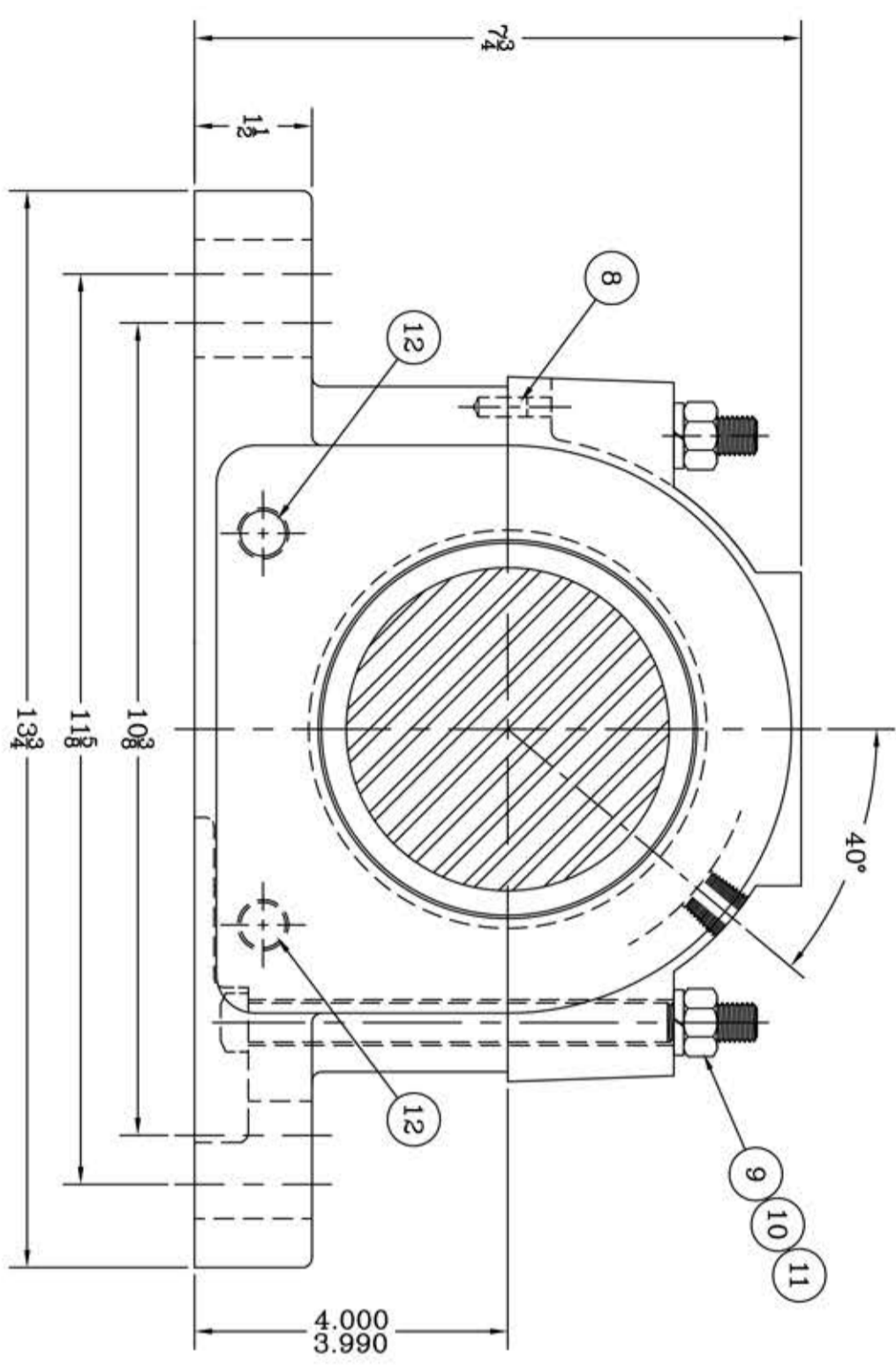
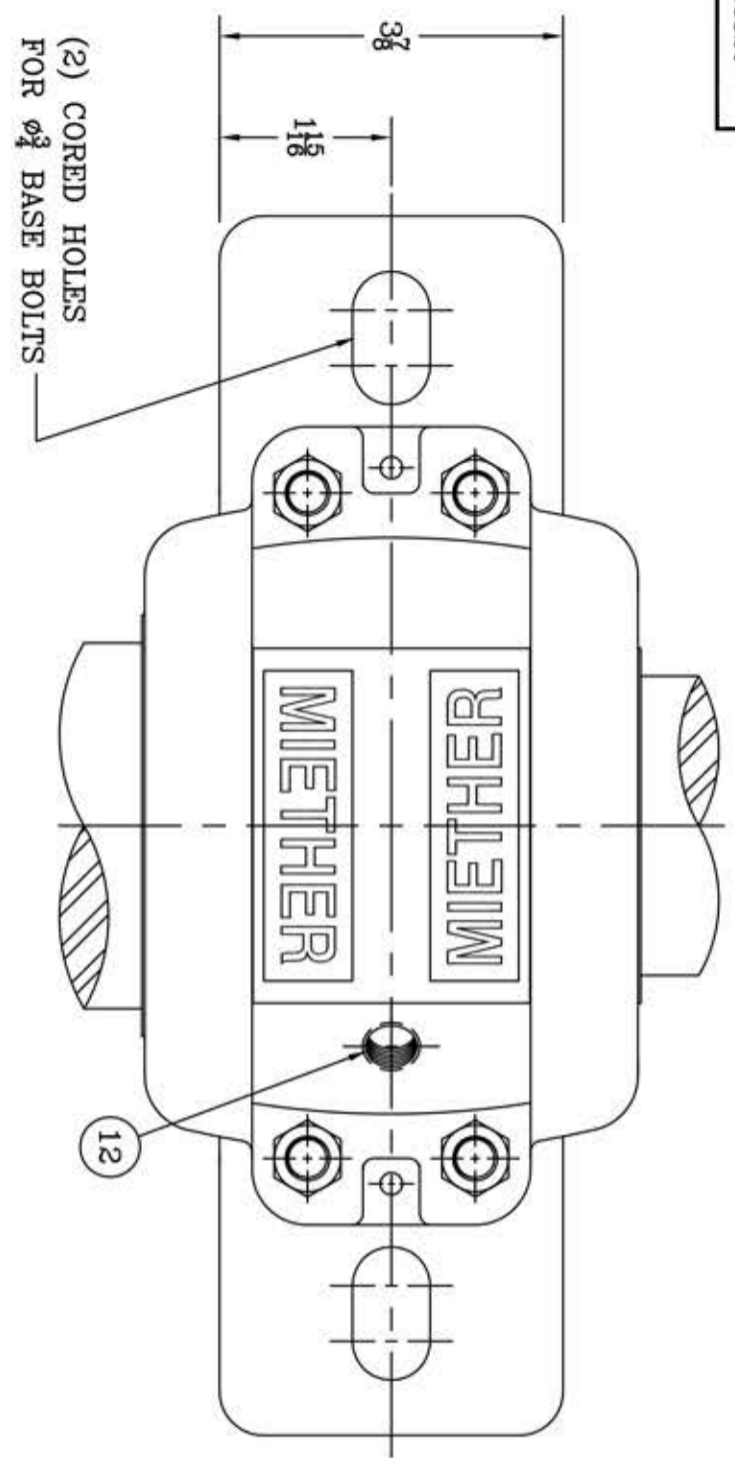
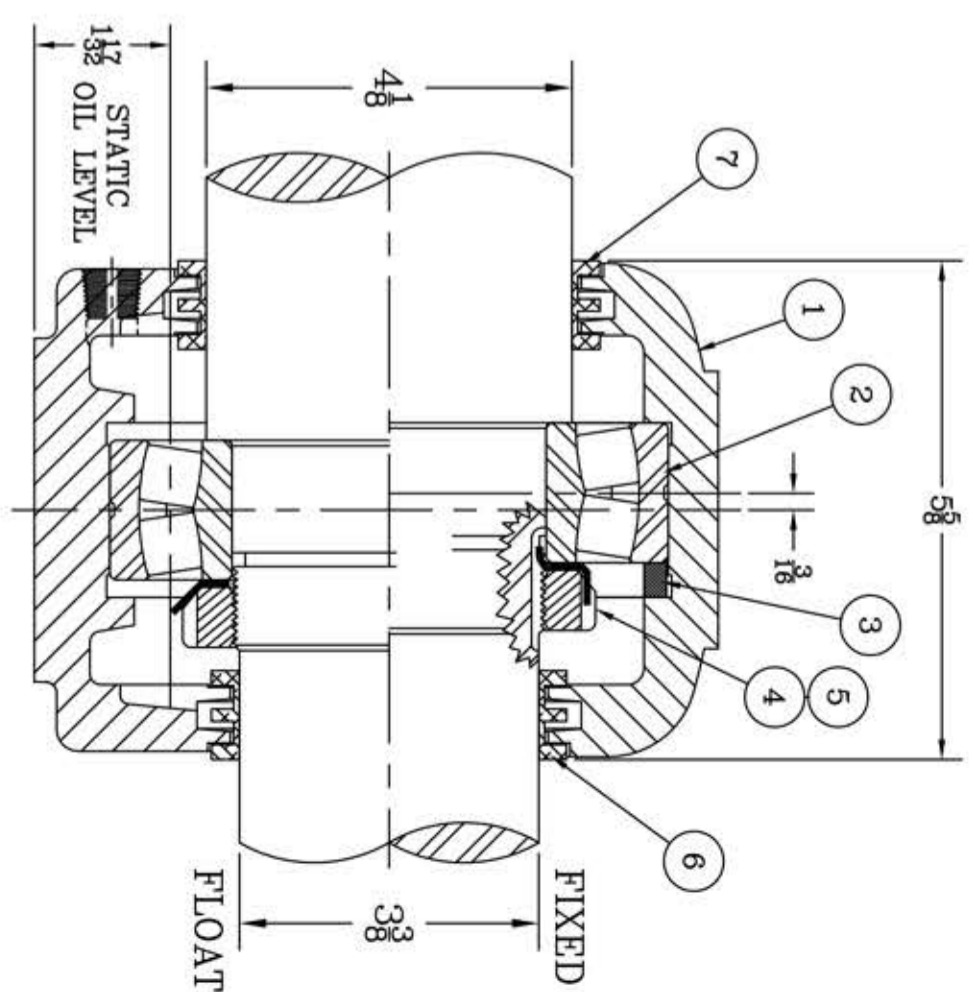


This drawing is the sole property of Miether Bearing Products and contains confidential and proprietary information. It is being provided to you for your use and may not be disclosed to any third party or used for any other purpose without Miether's prior written consent. The [materials] must be returned to the Company upon its demand. Your acceptance of these materials constitutes your acceptance of the foregoing terms.

C-35120



ITEM	DESCRIPTION	DETAIL	REQUIRED
1	HOUSING SAFD 218	C-	1 1
2	SPHERICAL ROLLER BEARING	22218/W-33	1 1
3	STABILIZING RING	SR-18-15	1 0
4	LOCKNUT	AN-18	1 1
5	LOCKWASHER	W-18	1 1
6	TRIPLE SEAL RING	LER-191	1 1
7	TRIPLE SEAL RING	LER-96	1 1
8	DOWEL	$\phi \frac{1}{8}$ x $\frac{3}{8}$ LONG	2 2
9	CAP BOLT SQUARE HEAD Gr 5	$\frac{1}{2}$ -13 NC x $6\frac{1}{2}$ " LONG	4 4
10	CAP BOLT HEX. NUT	$\frac{1}{2}$ -13 NC	4 4
11	LOCKWASHER	$\frac{1}{2}$ SPLT MED.	4 4
12	PIPE PLUG	$\frac{3}{8}$ -18 NPT	3 3



REVISIONS	
SYMBOL	VALUE
∇	16
∇	32
∇	63
∇	125
∇	250
∇	500
∇	1000

TOLERANCE: UNLESS OTHERWISE SPECIFIED
 FRACTIONS $\pm 1/32$ "
 DECIMALS $\pm .005$ "
 CASTING $\pm 1/16$ "
 ANGLES $\pm 0^\circ 30'$
 WELD $\pm 1/16$ "
 A.I.S.I. STANDARD FINISHES

AN ALCO INDUSTRIES COMPANY
 BEARING PRODUCTS
 ODESSA, TX. USA

SAFD 22218 04-02 x 03-06
 ASSEMBLY DRAWING
 SCALE 1 = 1.5
 DRAWN PCF
 DATE 11/9/12
 CHECK:
 ASSEMBLY NO.
 DRAWING NO.
 C-35120