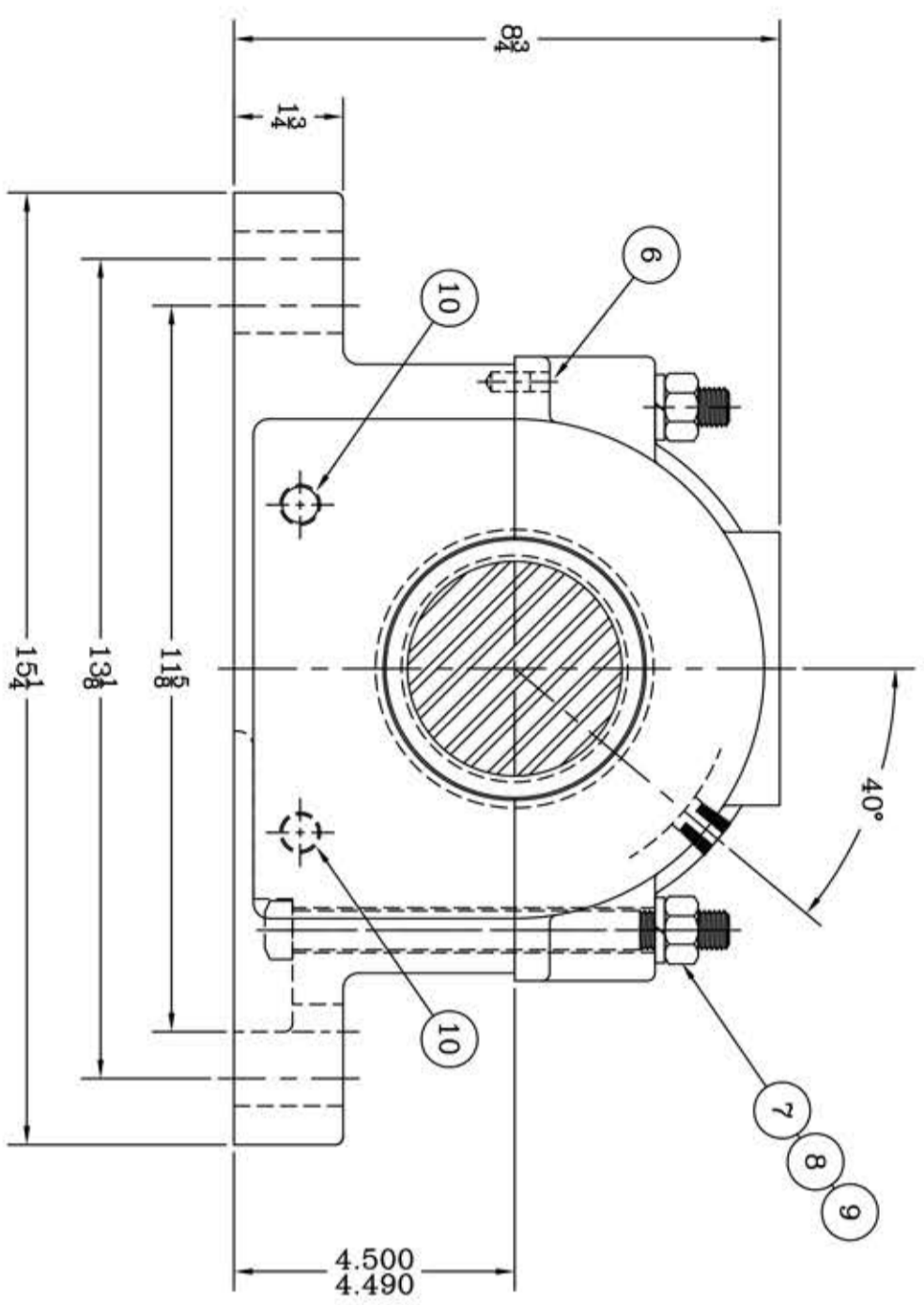
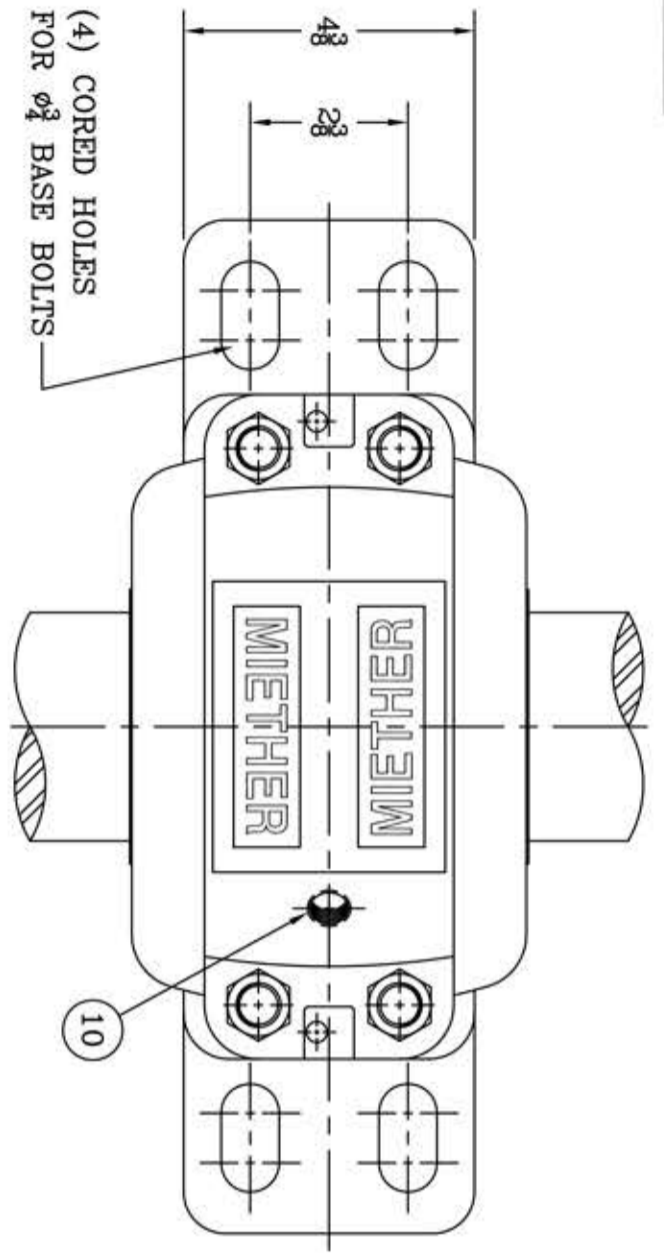
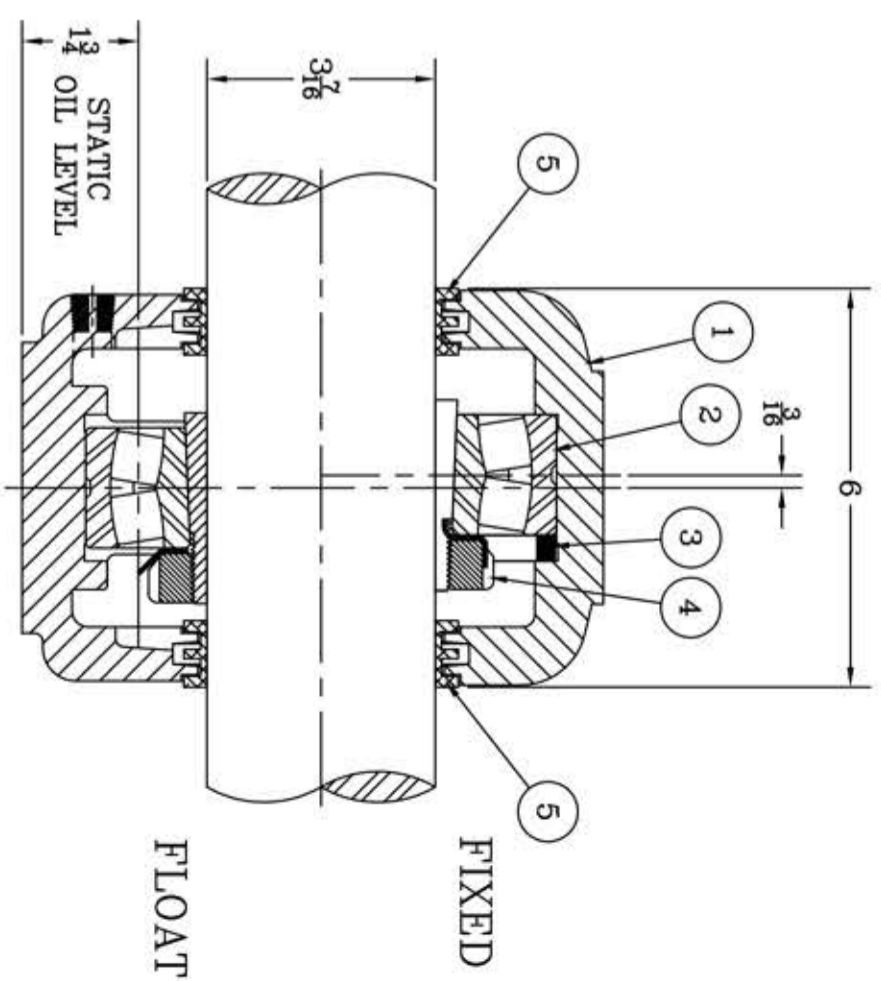


This drawing is the sole property of Miether Bearing Products and contains confidential and proprietary information. It is being provided to you for your use and may not be disclosed to any third party or used for any other purpose without Miether's prior written consent. The [materials] must be returned to the Company upon its demand. Your acceptance of these materials constitutes your acceptance of the foregoing terms.

C-34334



ITEM	DESCRIPTION	DETAIL	REQUIRED P.D.	PLT.
1	HOUSING FSAFD 520	C-13154-R	1	1
2	SPHERICAL ROLLER BEARING 22220K/W-33		1	1
3	STABILIZING RING SR-20-17	A-10602	1	0
4	ADAPTER SNW-20 03-07	B-24416	1	1
5	TRIPLE SEAL RING LER-102	A-10576	2	2
6	DOWEL $\phi 5/8$ x $3/8$ LONG		2	2
7	CAP BOLT SQUARE HEAD $3/8$ -11 NC x 7" LONG		4	4
8	CAP BOLT HEX. NUT $3/8$ -11 NC		4	4
9	LOCKWASHER $3/8$ SPLIT MED.		4	4
10	PIPE PLUG $3/8$ -18 NPT		3	3



REVISIONS

SYMBOL	DESCRIPTION	DATE
C		16
D		32
E		63
F		125
G		250
J		500
K		1000

TOLERANCE: UNLESS OTHERWISE SPECIFIED
 FRACTIONS $\pm 1/32$ "
 DECIMALS $\pm .005$ "
 CASTING $\pm 1/16$ "
 ANGLES $\pm 0^\circ 30'$
 WELD $\pm 1/16$ "

A.I.S.I. STANDARD FINISHES

AN ALCO INDUSTRIES COMPANY
 BEARING PRODUCTS
 ODESSA, TX. USA

FSAFD 22520 03-07	ASSEMBLY DRAWING
SCALE HALF	ASSEMBLY NO.
DRAWN PCF	DRAWING NO.
DATE 9/1/12	C-34334
CHK:	