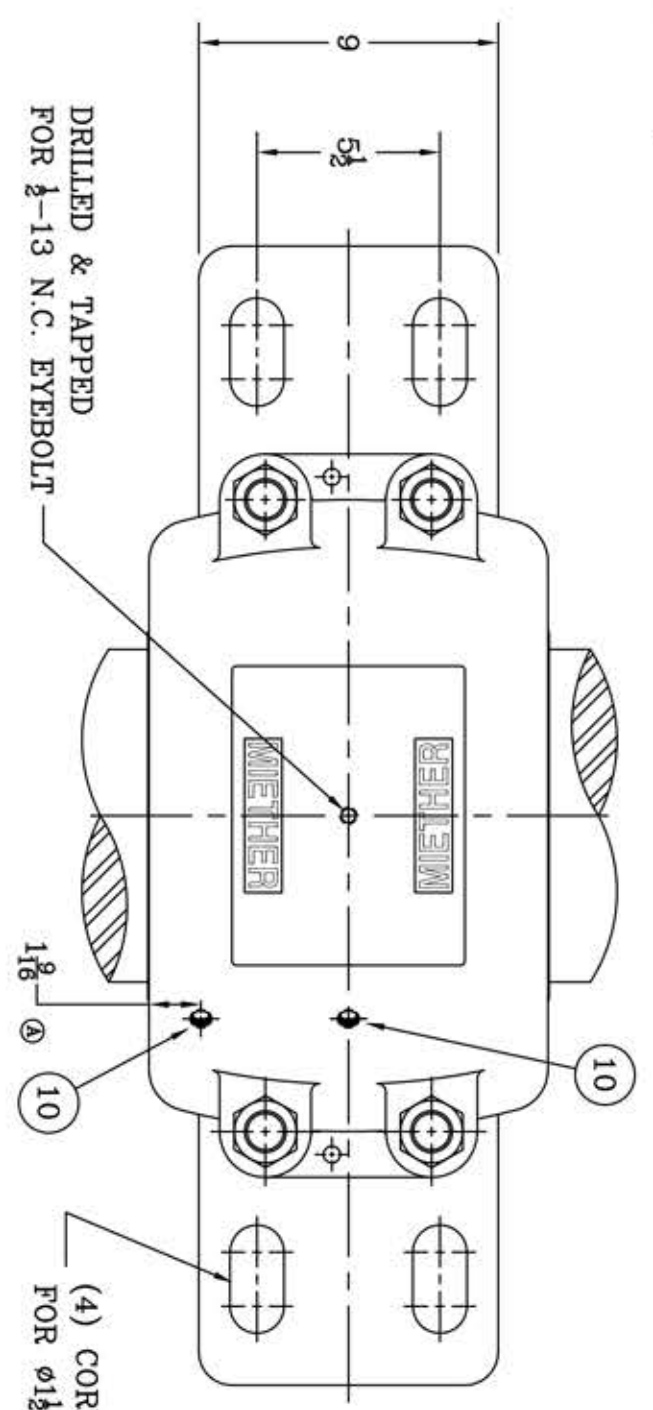
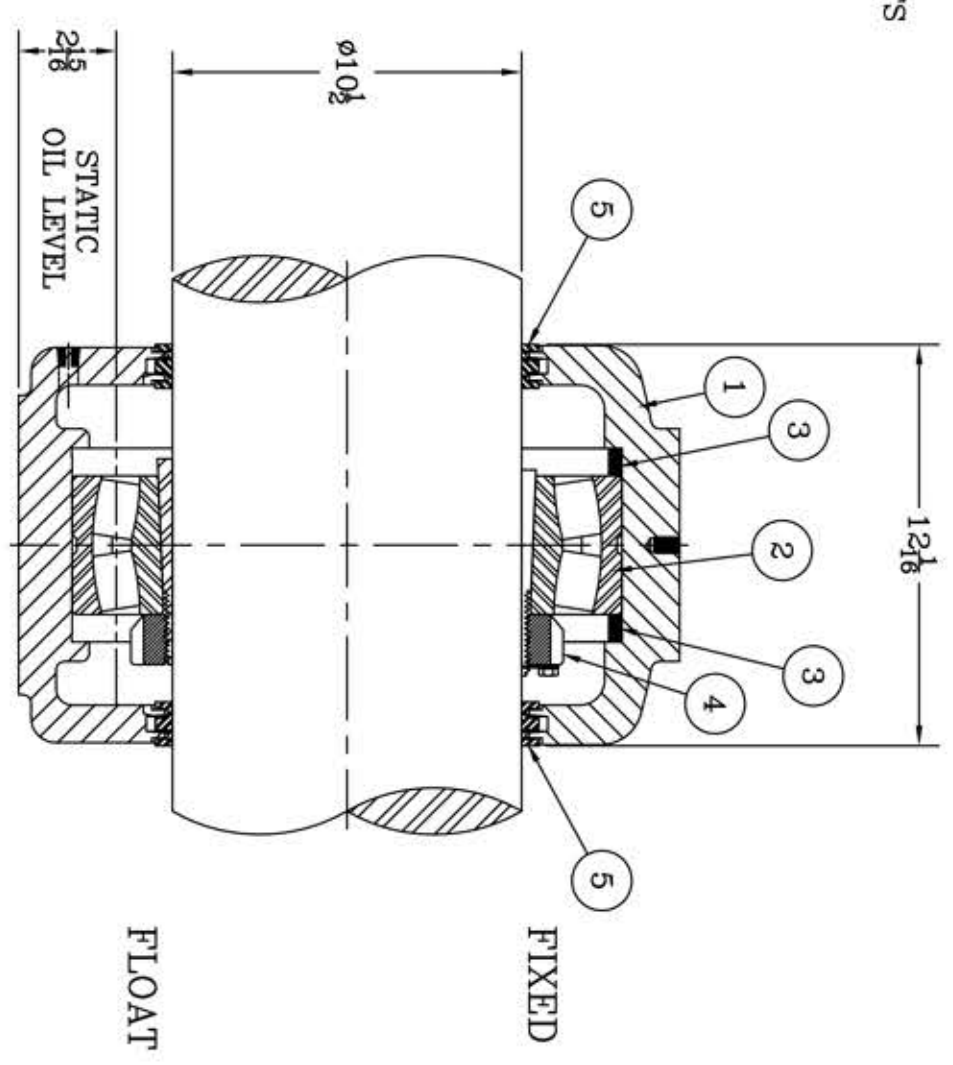
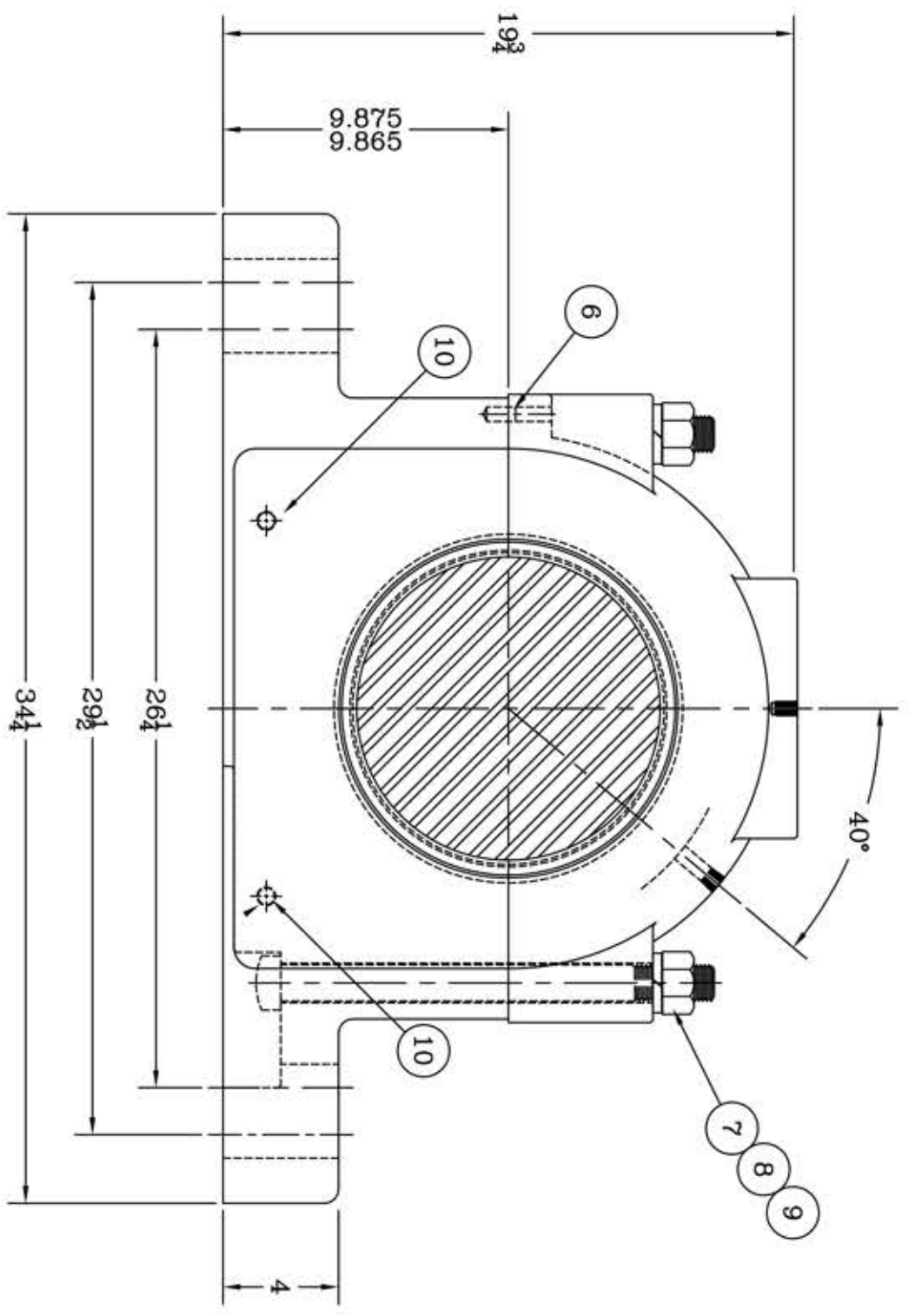


This drawing is the sole property of Miether Bearing Products and contains confidential and proprietary information. It is being provided to you for your use and may not be disclosed to any third party or used for any other purpose without Miether's prior written consent. The [materials] must be returned to the Company upon its demand. Your acceptance of these materials constitutes your acceptance of the foregoing terms.

C-14319



ITEM	DESCRIPTION	DETAIL	REQUIRED
1	HOUSING SAF 056 K 10-08	C-11050-R	1 1
2	SPHERICAL ROLLER BEARING	23056K/W-33	1 1
3	STABILIZING RING A-8819	A-10575	2 0
4	ADAPTER SNP-3056 10-08	24274	1 1
5	TRIPLE SEAL RING ER-710	A-10844	2 2
6	DOWEL	1/2 x 1" LONG	2 2
7	CAP BOLT SQUARE HEAD	1 1/4-7 NC x 15" LONG	4 4
8	CAP BOLT HEX. NUT	1 1/4-7 NC	4 4
9	LOCKWASHER	1 1/4 SPLIT MED.	4 4
10	PIPE PLUG	3/8-18 NPT	4 4



REDRAWN FOR CONFORMITY RWB per KAB 4-22-04
 ADDED PIPE TAP REDRAWN FOR CLARITY by RWB 12-14-00
 REDRAWN ON COMPUTER by OMI 11-17-94

REVISIONS

SYMBOL	DESCRIPTION
✓	ADDED PIPE TAP
∇	REDRAWN FOR CLARITY
∇	REDRAWN ON COMPUTER

TOLERANCE: UNLESS OTHERWISE SPECIFIED
 FRACTIONS +- 1/32"
 DECIMALS +- .005"
 CASTING +- 1/16"
 WELD +- 1/16"
 ANGLES +- 0° 30'
 A.I.S.I. STANDARD FINISHES

SAF 23056 K 10-08
 ASSEMBLY DRAWING
 SCALE 1 = 4
 DRAWN CJ
 DATE 12/5/70
 CHK:
 AN ALCO INDUSTRIES COMPANY
 ODESSA, TX. USA
 ASSEMBLY NO.
 DRAWING NO. C-14319