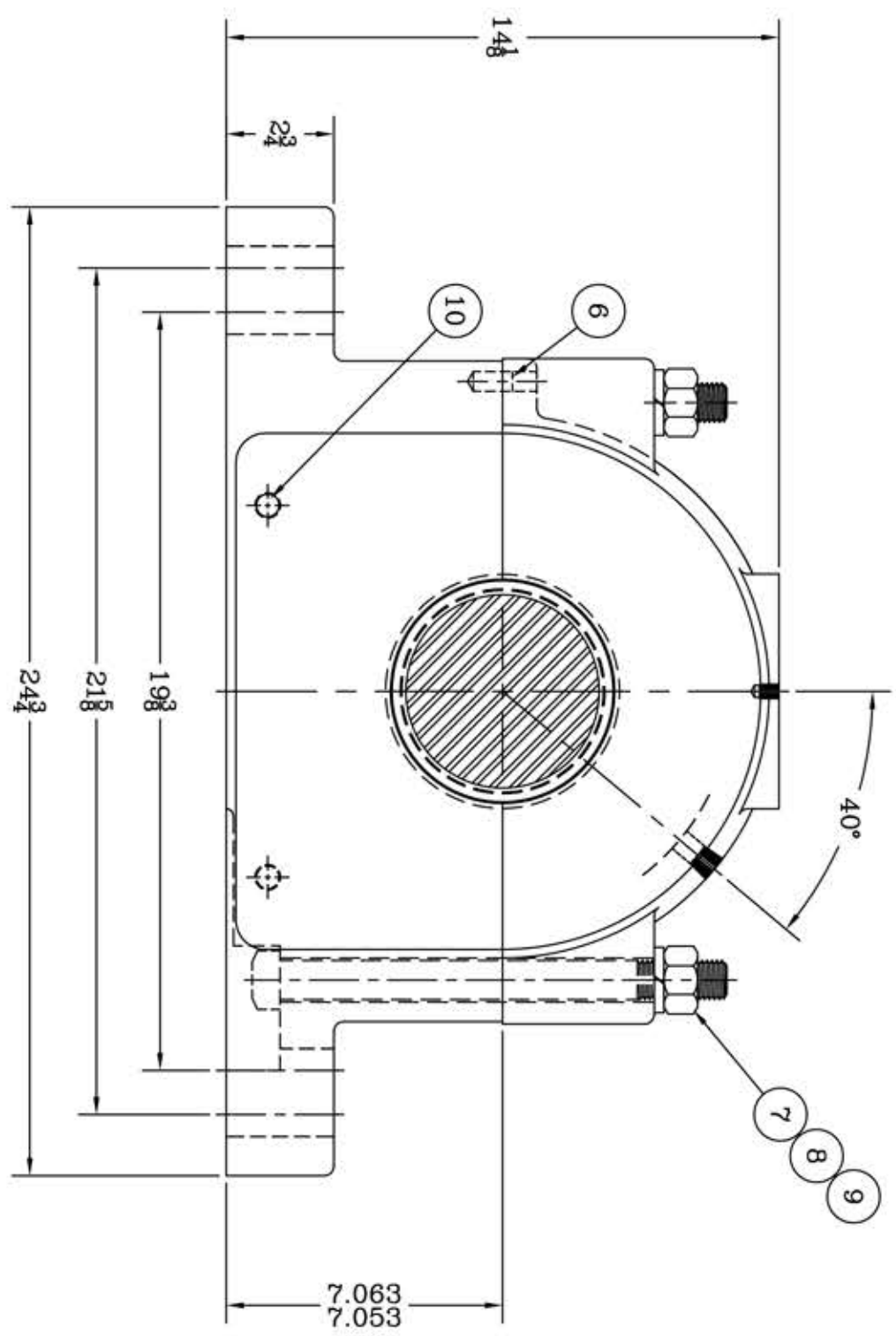
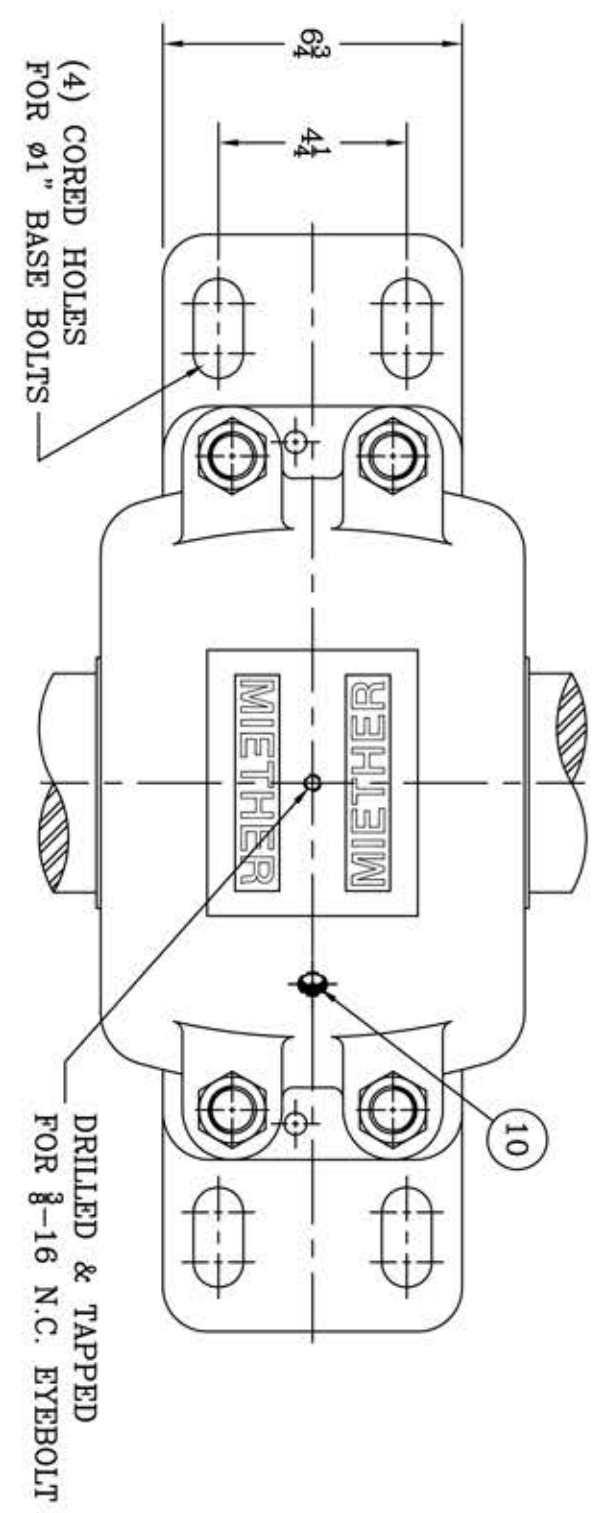
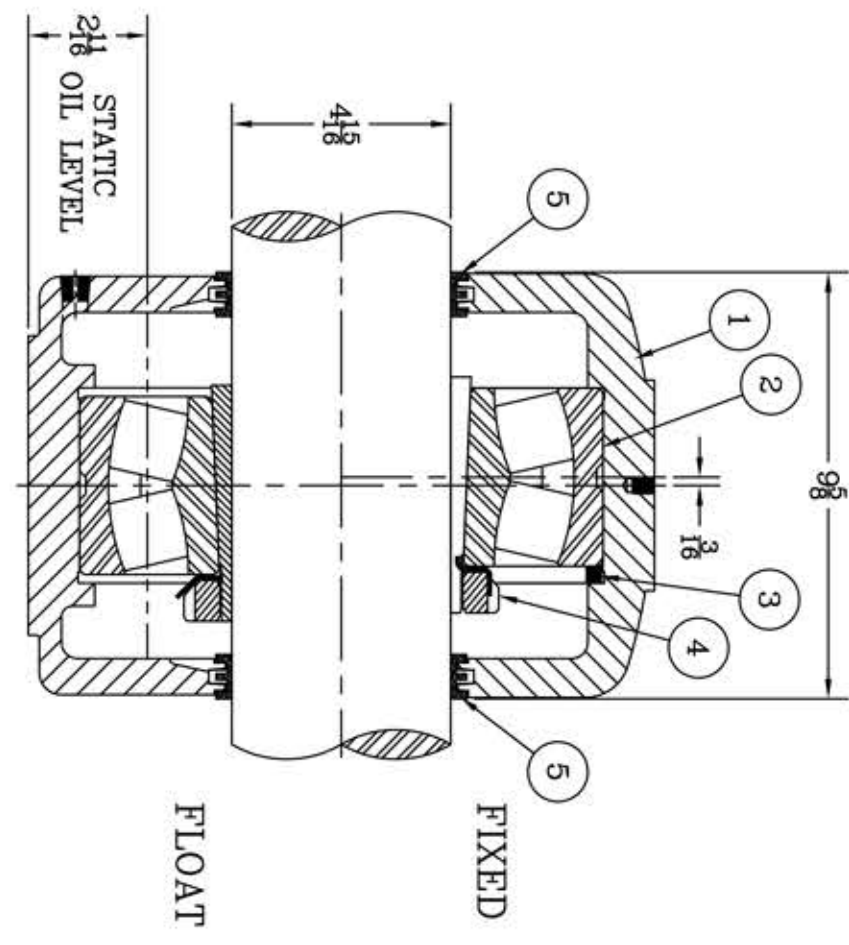


This drawing is the sole property of Miether Bearing Products and contains confidential and proprietary information. It is being provided to you for your use and may not be disclosed to any third party or used for any other purpose without Miether's prior written consent. The [materials] must be returned to the Company upon its demand. Your acceptance of these materials constitutes your acceptance of the foregoing terms.

C-14523



ITEM	DESCRIPTION	DETAIL	REQUIRED
1	HOUSING SAF 268 04-15	C-13188-R	1 1
2	SPHERICAL ROLLER BEARING	22328K/W-33	1 1
3	STABILIZING RING SR-0-28	A-10669	1 0
4	ADAPTER SNW-128 04-15	24392	1 1
5	TRIPLE SEAL RING LER-122	A-10499	2 2
6	DOWEL	$\phi \frac{1}{2}$ x 1" LONG	2 2
7	CAP BOLT SQUARE HEAD	1-8 NC x 1 1/2" LONG	4 4
8	CAP BOLT HEX. NUT	1-8 NC	4 4
9	LOCKWASHER	1" SPLIT MED.	4 4
10	PIPE PLUG	$\frac{3}{8}$ -18 NPT	3 3



REDRAWN FOR CONFORMITY
RWB per KAB
5-10-04

REDRAWN ON COMPUTER by
OMI 5-1-01

REVISIONS

SYMBOL	DESCRIPTION
C	CONFORMITY
D	DATE
E	ENGINEERING
F	FINISHES
G	GEOMETRIC
J	JUDGMENT
K	KEYWAYS

TOLERANCE: UNLESS OTHERWISE SPECIFIED
FRACTIONS $\pm 1/32$ " ANGLES $\pm 0^\circ 30'$
DECIMALS $\pm .005$ WELD $\pm 1/16$ "
CASTING $\pm 1/16$ "

A.I.S.I. STANDARD FINISHES

MICRO-INCH VALUE	16	32	63	125	250	500	1000
SYMBOL	C	D	E	F	G	J	K

AN ALCO INDUSTRIES COMPANY
BEARING PRODUCTS
ODDESSA, TX. USA

SAF 22628 04-15	ASSEMBLY DRAWING
SCALE 1 = 3	ASSEMBLY NO.
DRAWN CJ	DRAWING NO.
DATE 4/22/71	C-14523
CHK:	