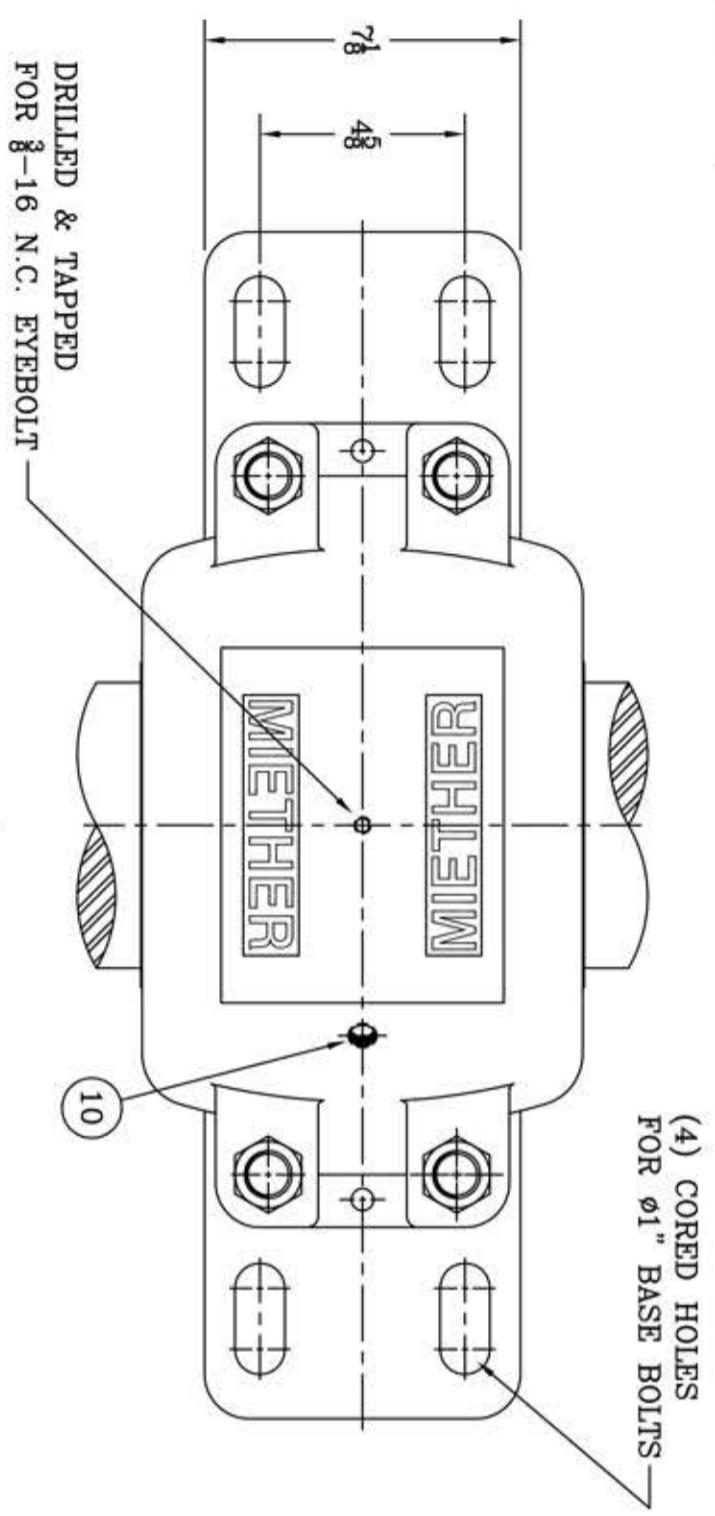
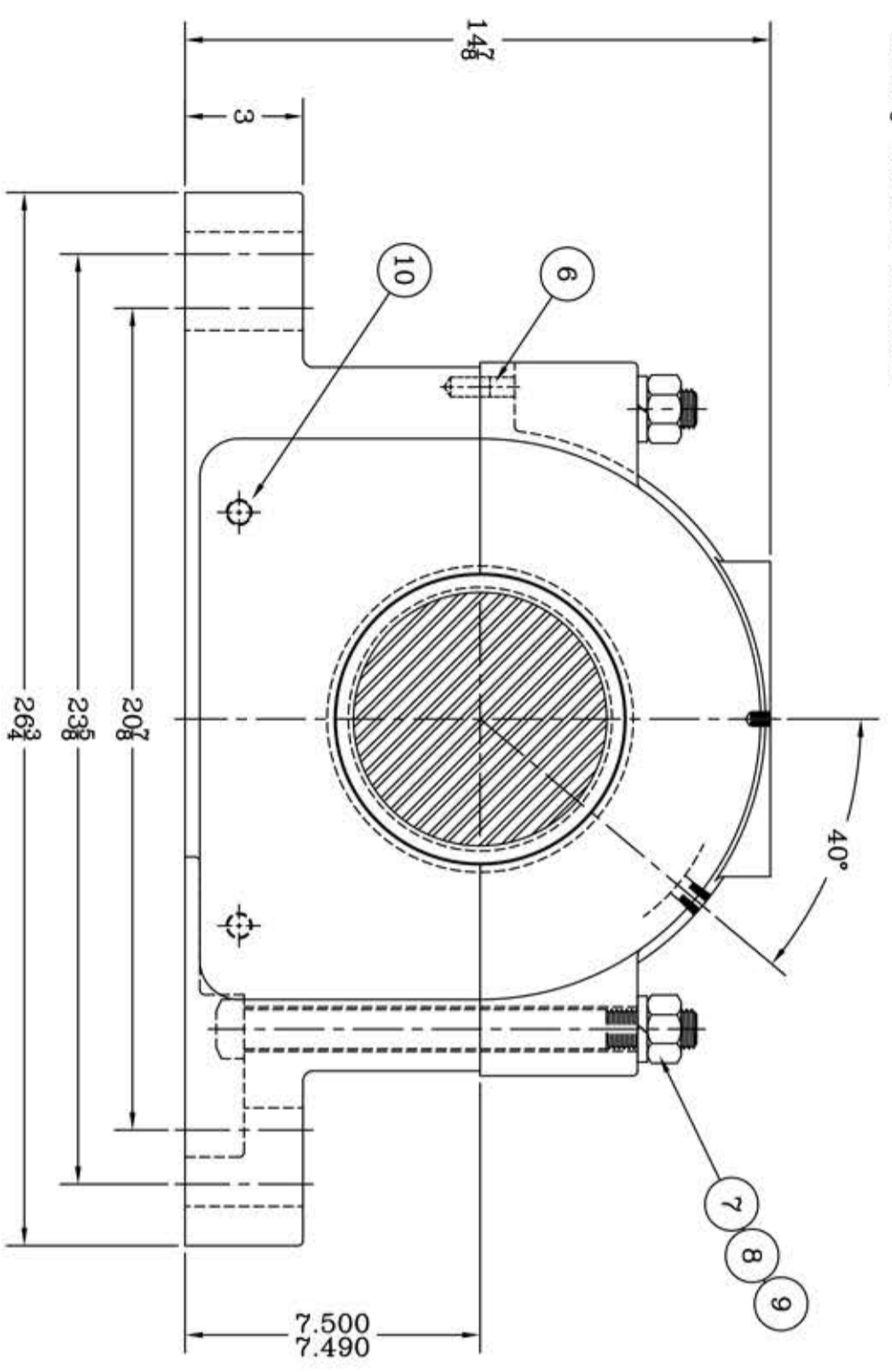


This drawing is the sole property of Miether Bearing Products and contains confidential and proprietary information. It is being provided to you for your use and may not be disclosed to any third party or used for any other purpose without Miether's prior written consent. The [materials] must be returned to the Company upon its demand. Your acceptance of these materials constitutes your acceptance of the foregoing terms.

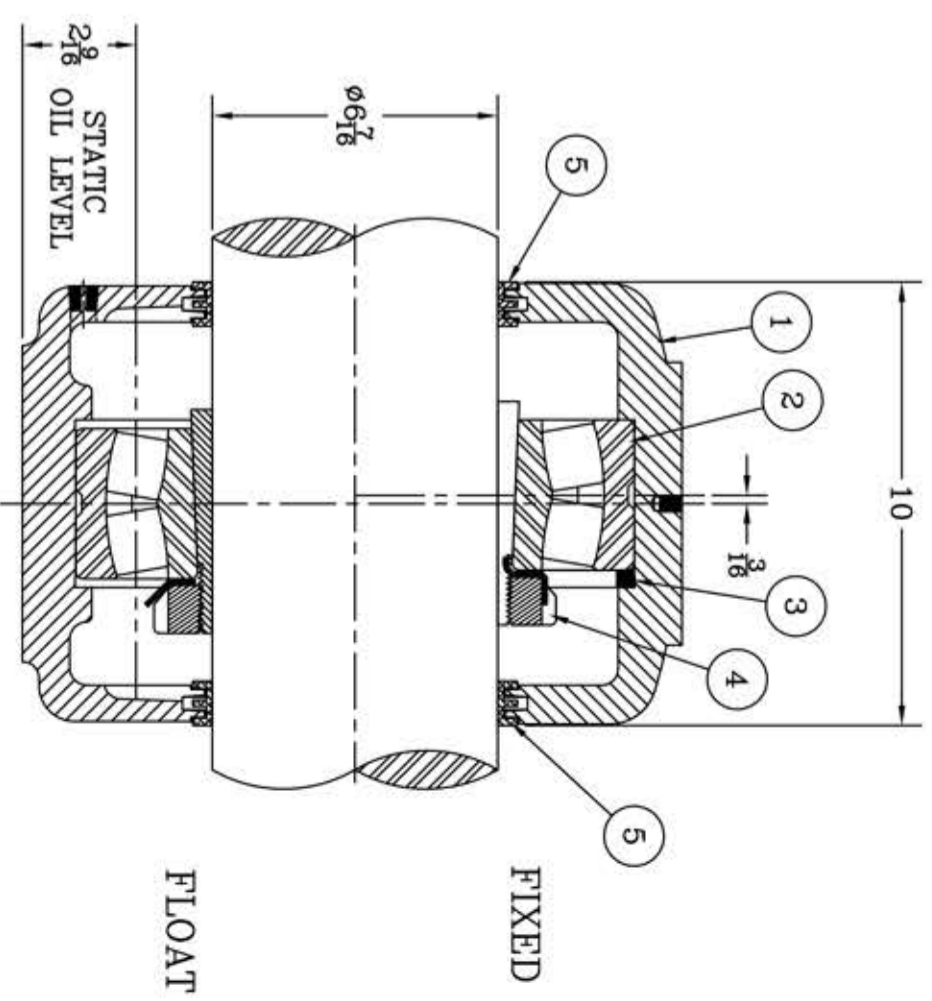
C-14090



(4) CORED HOLES FOR  $\phi 1$ " BASE BOLTS



ITEM	DESCRIPTION	DETAIL	REQUIRED
1	HOUSING SAF 536	C-10536-R	1 1
2	SPHERICAL ROLLER BEARING	22236K/W-33	1 1
3	STABILIZING RING SR-36-30	A-10610	1 0
4	ADAPTER SNW-36 06-07	24452	1 1
5	TRIPLE SEAL RING LER 148	A-10586	2 2
6	DOWEL	$\phi 1/2$ x 1" LONG	2 2
7	CAP BOLT SQUARE HEAD	1-8 NC x $1 1/2$ LONG	4 4
8	CAP BOLT HEX. NUT	1-8 NC	4 4
9	LOCKWASHER	1" SPLIT MED.	4 4
10	PIPE PLUG	$3/8$ -18 NPT	3 3



REDRAWN FOR CONFORMITY RWB per KAB 3-11-04

REDRAWN ON COMPUTER TO SCALE by RWB 1-26-98

REVISIONS

SYMBOL	DESCRIPTION
C	16
D	32
E	63
F	125
G	250
J	500
K	1000

TOLERANCE: UNLESS OTHERWISE SPECIFIED

FRACTIONS  $\pm 1/32$ " ANGLES  $\pm 0^\circ 30'$

DECIMALS  $\pm .005$  WELD  $\pm 1/16$ "

CASTING  $\pm 1/16$ "

AISI. STANDARD FINISHES

AN ALCO INDUSTRIES COMPANY

BEARING PRODUCTS

ODESSA, TX. USA

SAF 22536 06-07	ASSEMBLY DRAWING
SCALE 1 = 3	ASSEMBLY NO.
DRAWN BAB	DRAWING NO.
DATE 2/17/88	CHK.
CHK.	C-14090