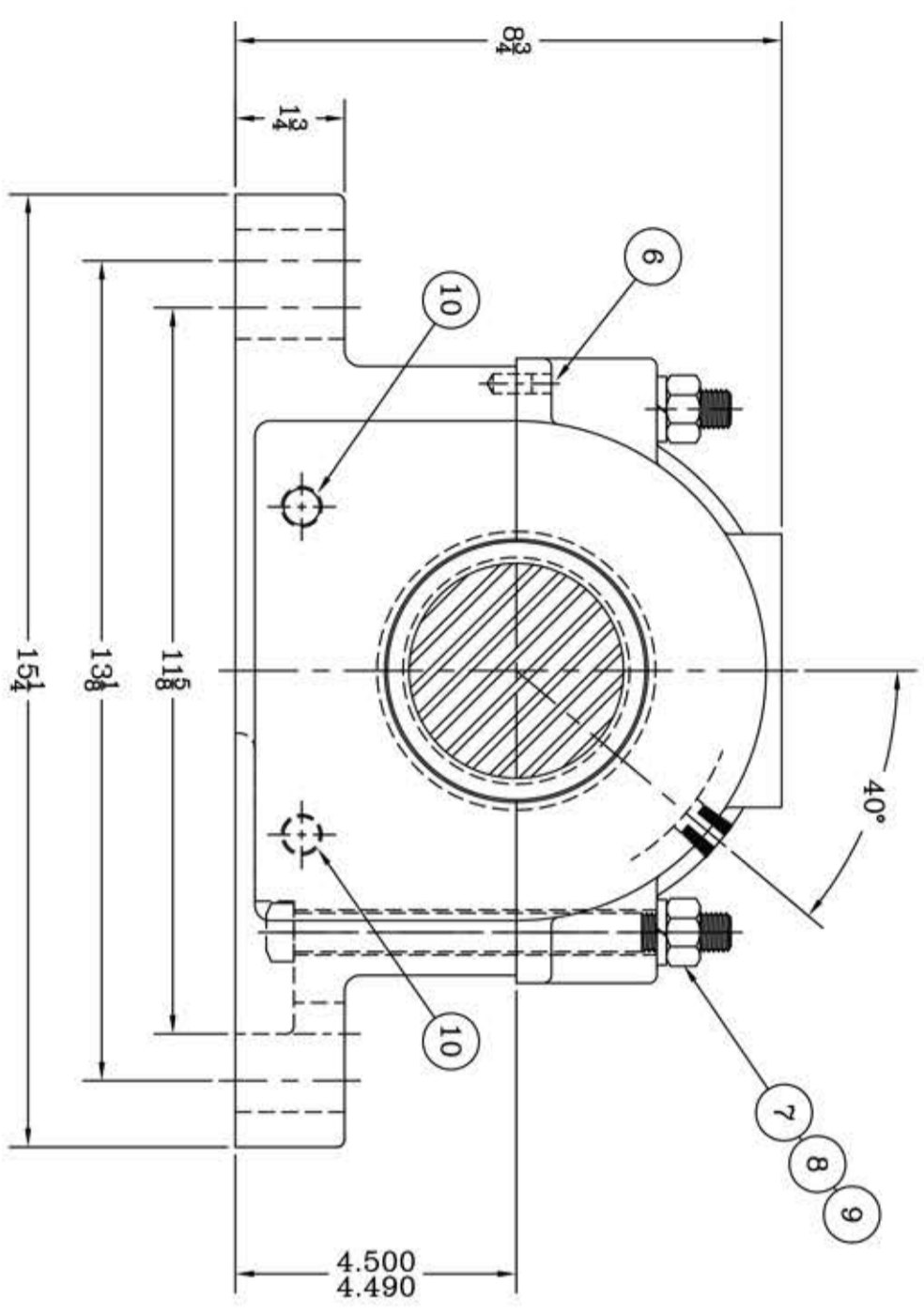
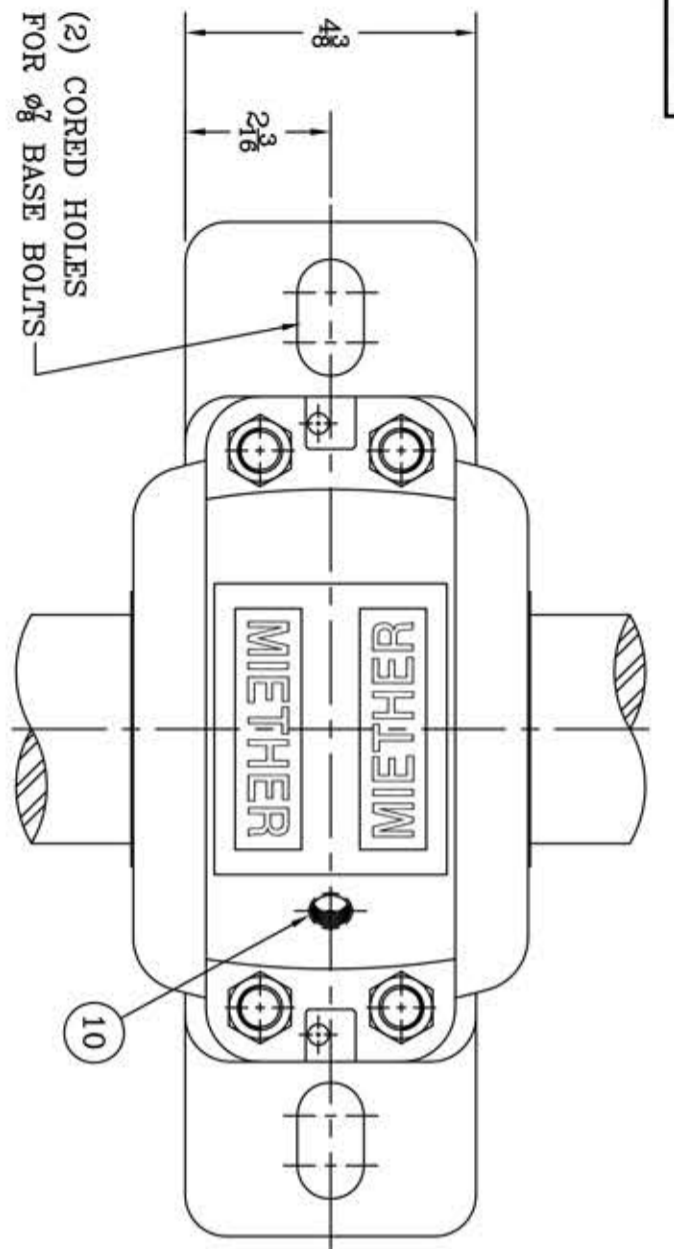
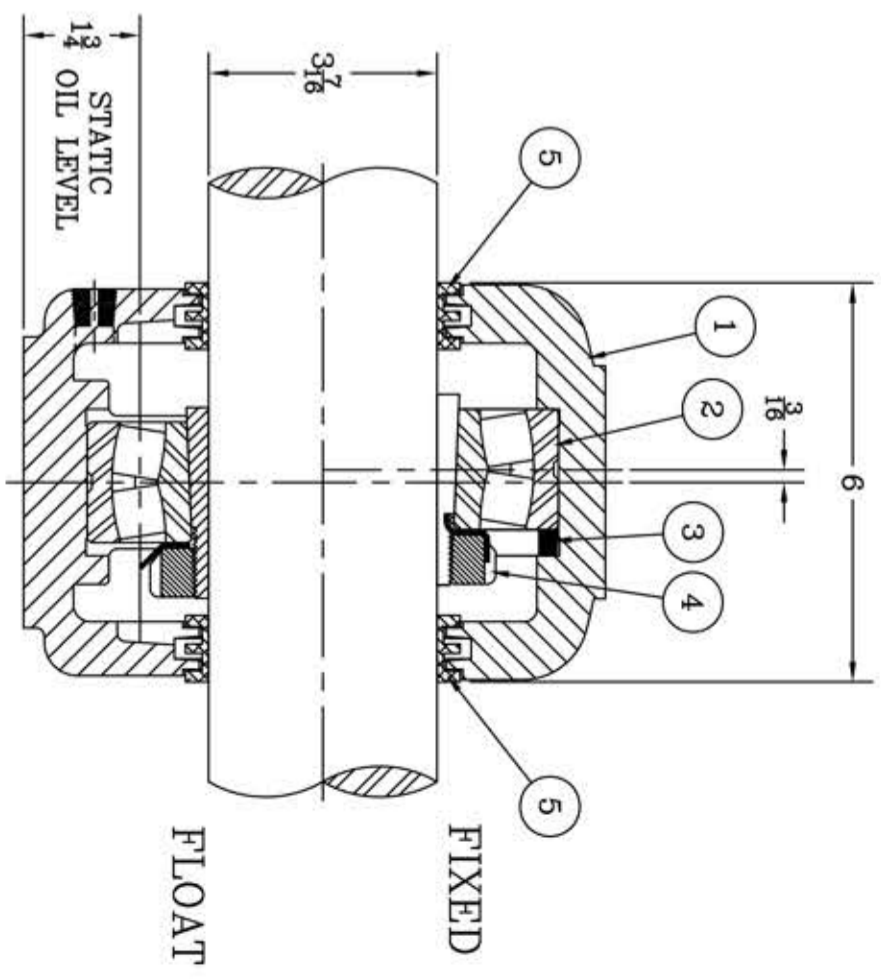


This drawing is the sole property of Miether Bearing Products and contains confidential and proprietary information. It is being provided to you for your use and may not be disclosed to any third party or used for any other purpose without Miether's prior written consent. The [materials] must be returned to the Company upon its demand. Your acceptance of these materials constitutes your acceptance of the foregoing terms.

C-14038



ITEM	DESCRIPTION	DETAIL	REQUIRED
1	HOUSING SAF 520	C-13153-R	1 1
2	SPHERICAL ROLLER BEARING	22220K/W-33	1 1
3	STABILIZING RING SR-20-17	A-10602	1 0
4	ADAPTER SNW-20 03-07	B-24416	1 1
5	TRIPLE SEAL RING LER-102	A-10576	2 2
6	DOWEL	$\phi \frac{5}{16}$ x $\frac{7}{8}$ LONG	2 2
7	CAP BOLT SQUARE HEAD	$\frac{5}{8}$ -11 NC x 7" LONG	4 4
8	CAP BOLT HEX NUT	$\frac{5}{8}$ -11 NC	4 4
9	LOCKWASHER	$\frac{5}{8}$ SPLT MED.	4 4
10	PIPE PLUG	$\frac{3}{8}$ -18 NPT	3 3



REDRAWN FOR CONFORMITY RWB per KAB 1-20-04  
 REDRAWN TO SCALE by RWB 3-30-01

REVISIONS

SYMBOL	DESCRIPTION
✓	16
∇	32
∇	63
∇	125
∇	250
∇	500
∇	1000

TOLERANCE: UNLESS OTHERWISE SPECIFIED  
 FRACTIONS  $\pm \frac{1}{32}$ " ANGLES  $\pm 0^{\circ} 30'$   
 DECIMALS  $\pm .005$  WELD  $\pm 1/16$ "  
 CASTING  $\pm 1/16$ "

A.I.S.I. STANDARD FINISHES

AN ALCO INDUSTRIES COMPANY  
 BEARING PRODUCTS  
 ODESSA, TX. USA

SAF 22520 03-07	ASSEMBLY DRAWING
SCALE 1 = 2	ASSEMBLY NO.
DRAWN BAB	DRAWING NO.
DATE 2/18/88	C-14038
CHK:	