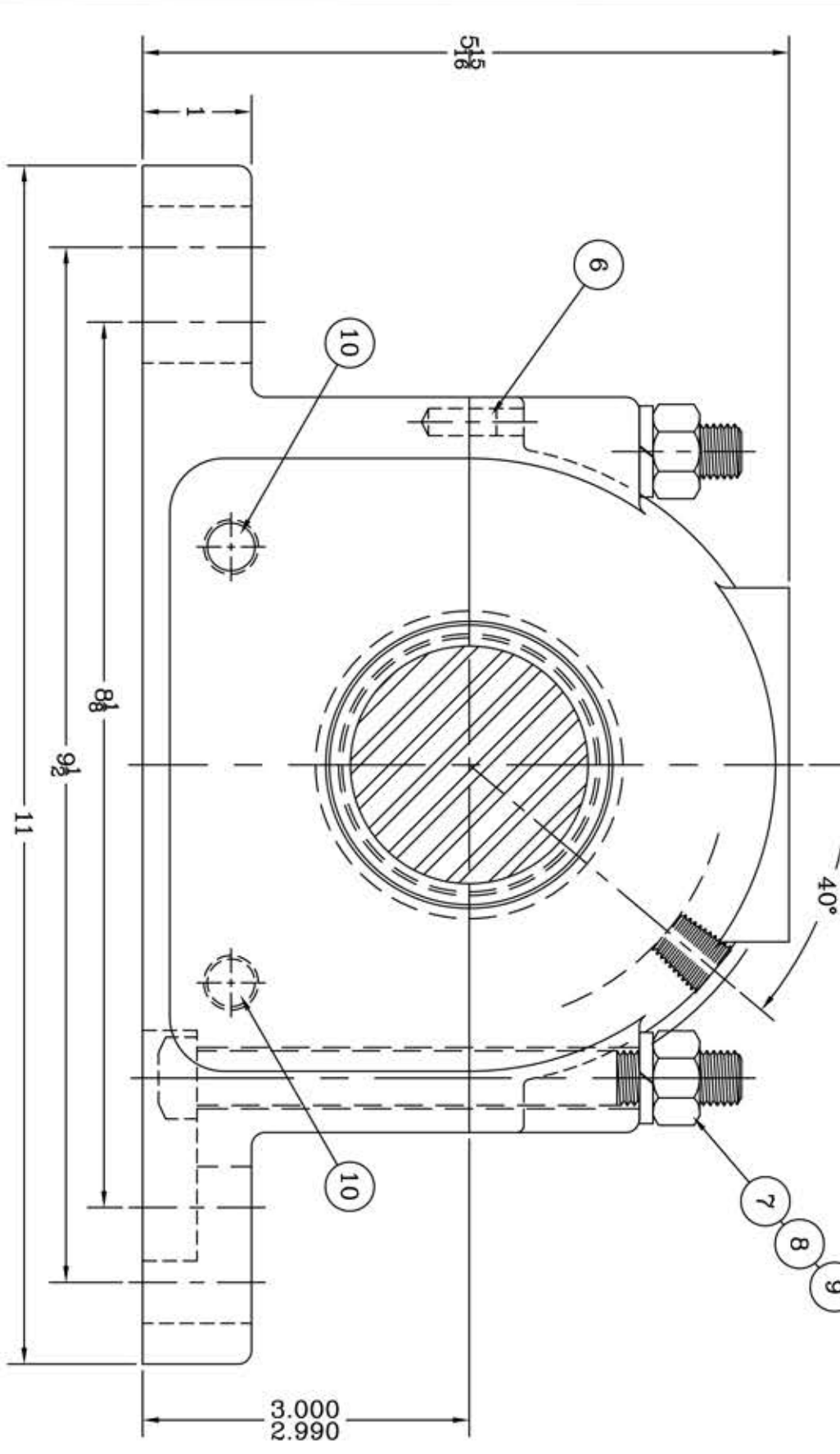
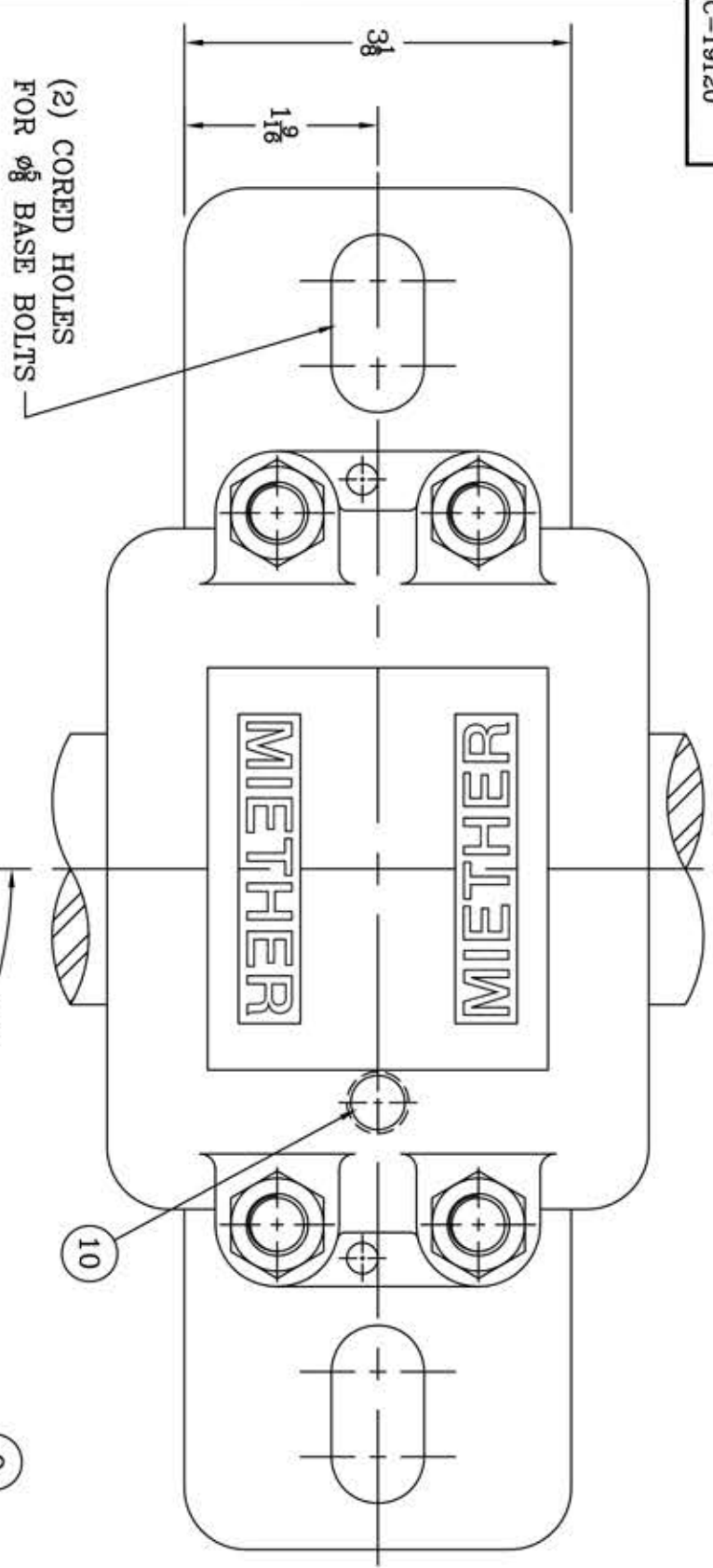
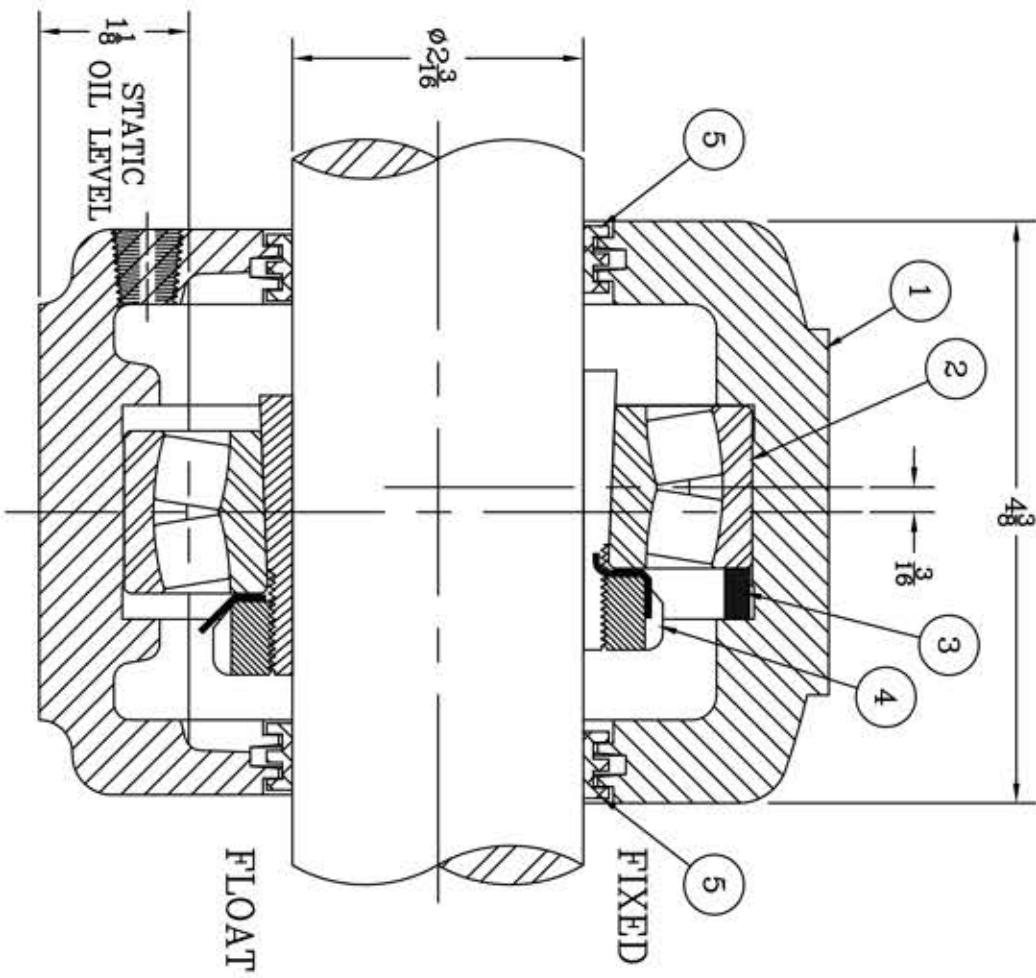


This drawing is the sole property of Miether Bearing Products and contains confidential and proprietary information. It is being provided to you for your use and may not be disclosed to any third party or used for any other purpose without Miether's prior written consent. The [materials] must be returned to the Company upon its demand. Your acceptance of these materials constitutes your acceptance of the foregoing terms.

C-19120



ITEM	DESCRIPTION	DETAIL	REQUIRED
1	HOUSING SAF 513 02-03	C-19580-R	1 1
2	SPHERICAL ROLLER BEARING	22213K/W33	1 1
3	STABILIZING RING SR-13-11	A-10597	1 0
4	ADAPTER SNW-13 02-03	B-24395	1 1
5	TRIPLE SEAL RING LER 29	A-18362	2 2
6	DOWEL	Ø 1/4 x 8" LONG	2 2
7	CAP BOLT SQUARE HEAD	1/2-13 NC x 5" LONG	4 4
8	CAP BOLT HEX. NUT	1/2-13 NC	4 4
9	LOCKWASHER	1/2 SPLIT MED.	4 4
10	PIPE PLUG	1/4-18 NPT	3 3



REDRAWN FOR CONFORMITY
RWB per KAB
12-22-03
REDRAWN ON COMPUTER
OMI 1-22-98

REVISIONS

SYMBOL	DESCRIPTION
C	16
D	32
E	63
F	125
G	250
J	500
K	1000

TOLERANCE: UNLESS OTHERWISE SPECIFIED

FRACTIONS ± 1/32" ANGLES ± 0° 30'
DECIMALS ± .005" WELD ± 1/16"
CASTING ± 1/16"

AN ALCO INDUSTRIES COMPANY
ODESSA, TX, USA

SAF 22513 02-03
ASSEMBLY DRAWING
SCALE FULL
DRAWN BDB
DATE 5/24/91
CHK:

ASSEMBLY NO.
DRAWING NO.
C-19120