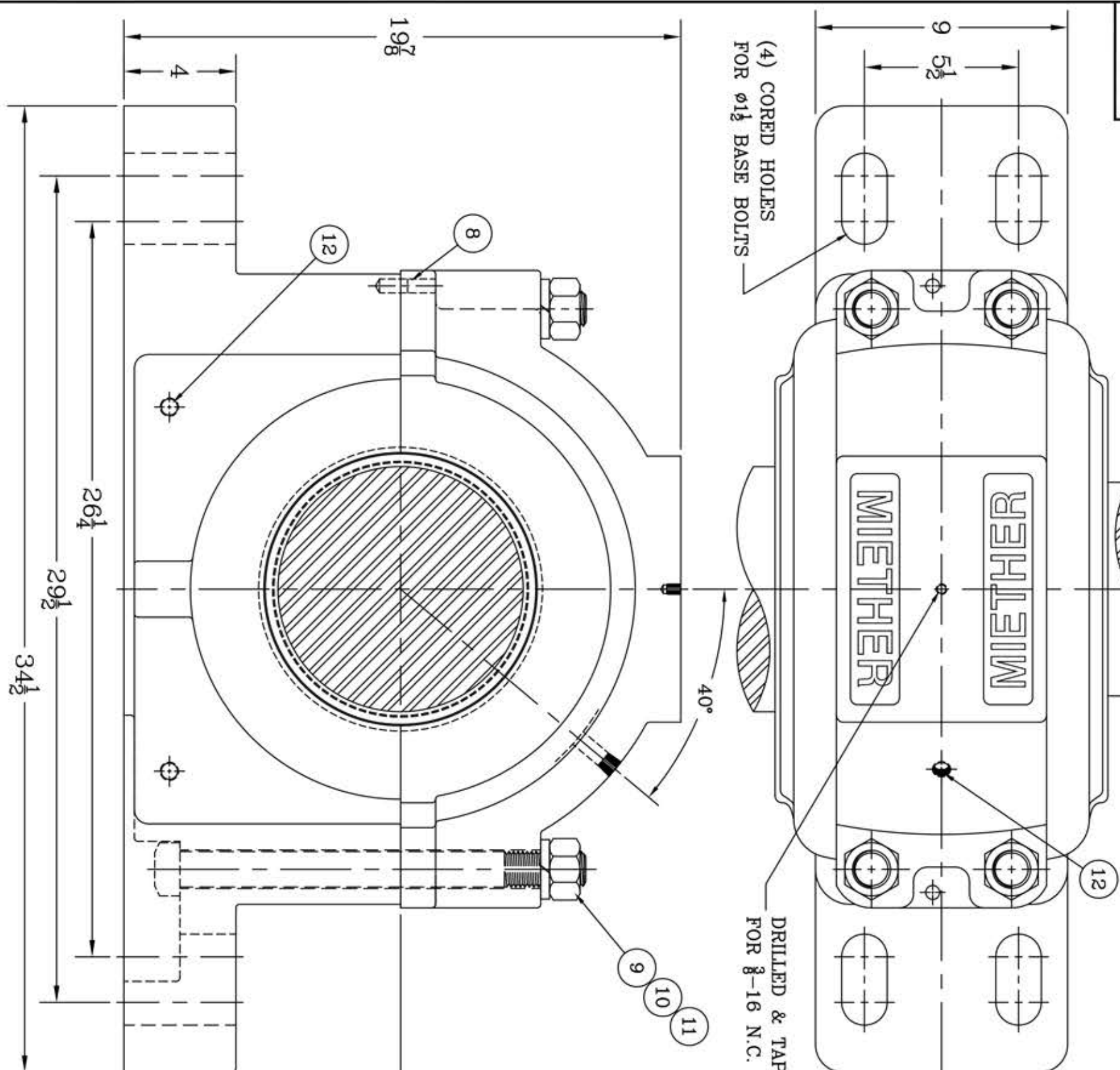
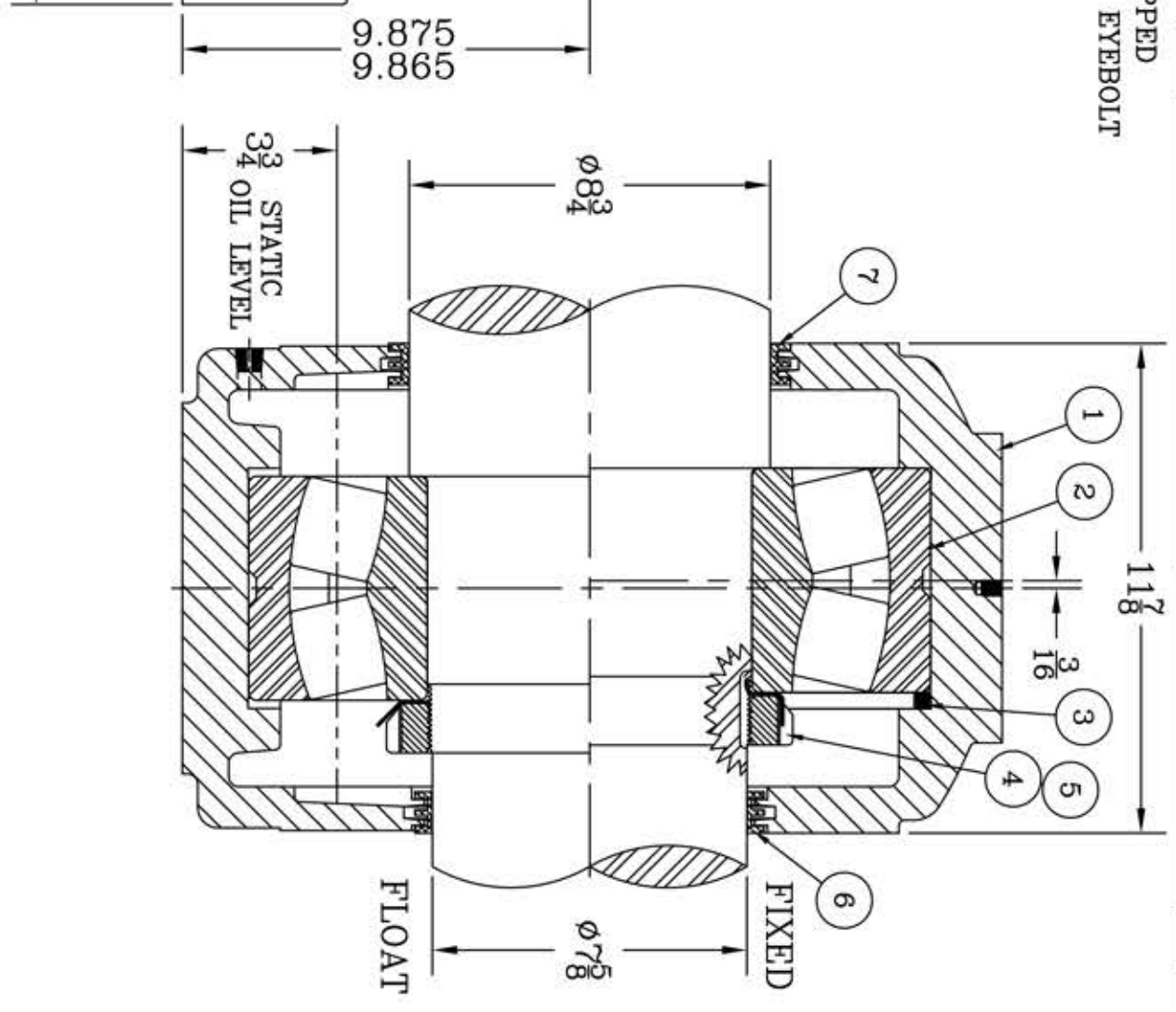


This drawing is the sole property of Miether Bearing Products and contains confidential and proprietary information. It is being provided to you for your use and may not be disclosed to any third party or used for any other purpose without Miether's prior written consent. The [materials] must be returned to the Company upon its demand. Your acceptance of these materials constitutes your acceptance of the foregoing terms.

C-14446



ITEM	DESCRIPTION	DETAIL	REQUIRED
1	HOUSING SAF 340	C-13179	1 1
2	SPHERICAL ROLLER BEARING	22340/W-33	1 1
3	STABILIZING RING SR-0-40	A-10463	1 0
4	LOCKNUT AN-40	B-10424	1 1
5	LOCKWASHER W-40	00254	1 1
6	TRIPLE SEAL RING LER-164	A-10674	1 1
7	TRIPLE SEAL RING LER-175	A-10677	1 1
8	DOWEL	Ø 1/2 x 1" LONG	2 2
9	CAP BOLT SQUARE HEAD	1 1/4-7 NC x 1 1/2" LONG	4 4
10	CAP BOLT HEX. NUT	1 1/4-7 NC	4 4
11	LOCKWASHER	1 1/4 SPLIT MED.	4 4
12	PIPE PLUG	3/8-18 NPT	3 3



REDRAWN FOR CONFORMITY PCF per KAB 1-12-12
 REDRAWN ON COMPUTER by PCF 1-12-12

REVISIONS

SYMBOL	DESCRIPTION
C	REVISIONS
D	REVISIONS
E	REVISIONS
F	REVISIONS
G	REVISIONS
J	REVISIONS
K	REVISIONS

TOLERANCE: UNLESS OTHERWISE SPECIFIED
 FRACTIONS ± 1/32"
 DECIMALS ± .005"
 CASTING ± 1/16"
 WELD ± 1/16"
 ANGLES ± 0°-30°

A.I.S.I. STANDARD FINISHES
 MICRO-INCH VALUE: 16 32 63 125 250 500 1000

AN ALCO INDUSTRIES COMPANY
 BEARING PRODUCTS
 ODESSA, TX. USA

SAF 22340 08-12 x 07-10	ASSEMBLY DRAWING
SCALE 1 = 3	ASSEMBLY NO.
DRAWN BAB	DRAWING NO.
DATE 2/15/88	CHK: C-14446