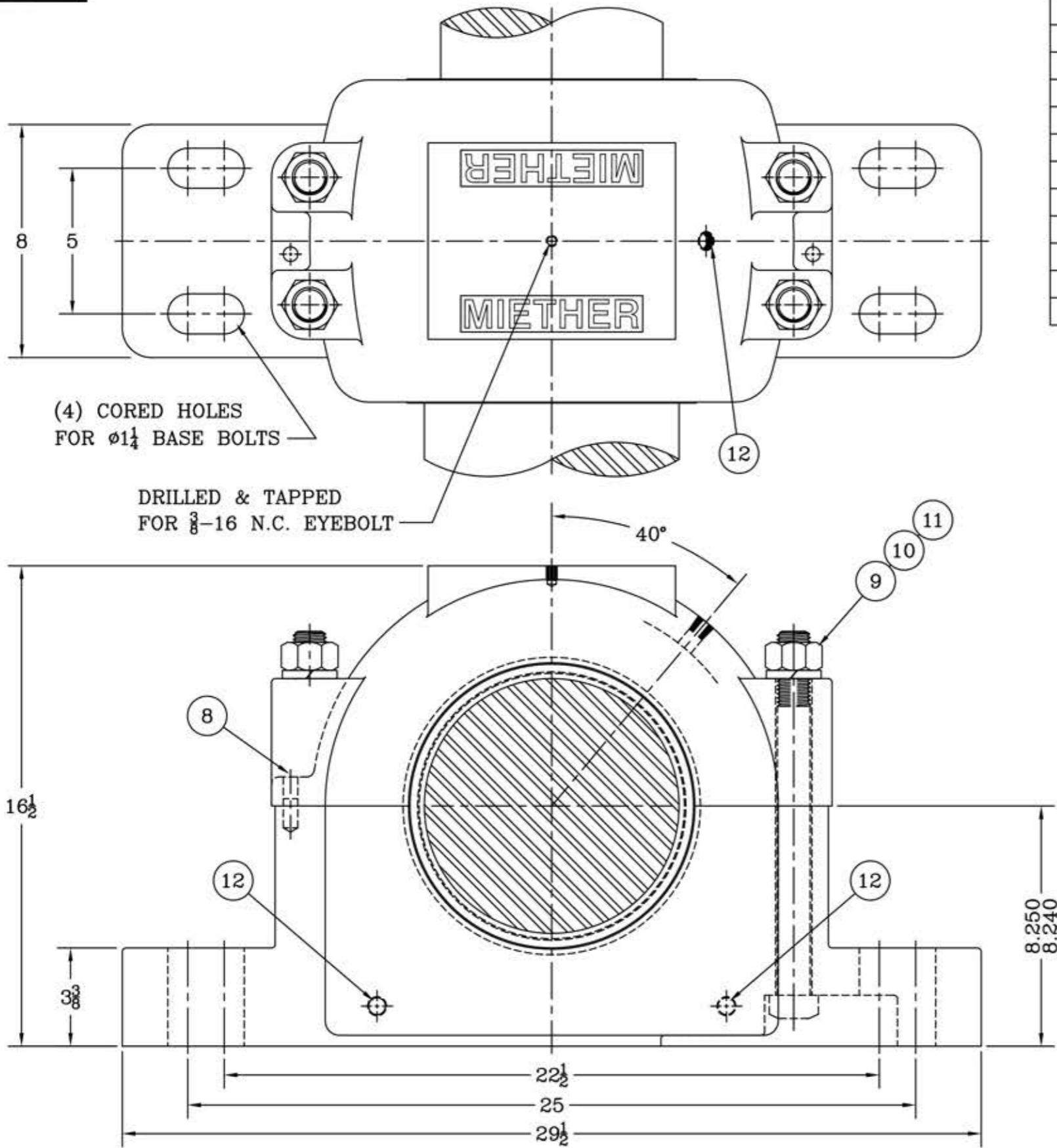
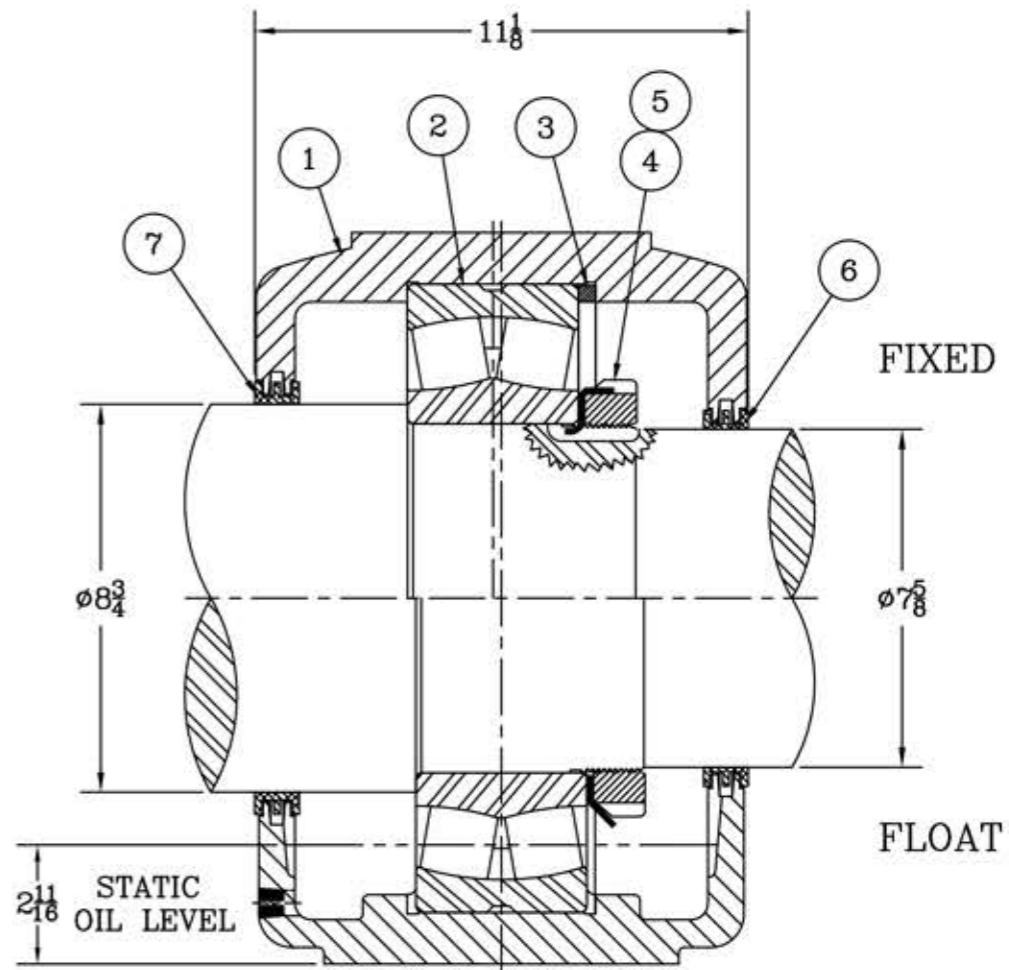


C14216

This drawing is the sole property of Miether Bearing Products and contains confidential and proprietary information. It is being provided to you for your use and may not be disclosed to any third party or used for any other purpose without Miether's prior written consent. The [materials] must be returned to the Company upon its demand. Your acceptance of these materials constitutes your acceptance of the foregoing terms.



ITEM	DESCRIPTION	DETAIL	REQUIRED	
			FXD.	FLT.
1	HOUSING SAF 240	C-13145-R	1	1
2	SPHERICAL ROLLER BEARING	22240/W-33	1	1
3	STABILIZING RING SR-40-34	A-10611	1	0
4	LOCKNUT AN-40	B-10424	1	1
5	LOCKWASHER W-40	00254	1	1
6	TRIPLE SEAL RING LER-164	A-10674	1	1
7	TRIPLE SEAL RING LER-175	A-10677	1	1
8	DOWEL	ϕ 1/2 x 1" LONG	2	2
9	CAP BOLT SQUARE HEAD Gr.2	1 1/8-7 NC x 12 1/2 LONG	4	4
10	CAP BOLT HEX. NUT	1 1/8-7 NC	4	4
11	LOCKWASHER	1 1/8 SPLIT MED.	4	4
12	PIPE PLUG	3/8-18 NPT	3	3



REDRAWN FOR CONFORMITY RWB 3-23-04

REVISIONS

TOLERANCE: UNLESS OTHERWISE SPECIFIED						
FRACTIONS ± 1/32"			ANGLES ± 0° 30'			
DECIMALS ± .005"			WELD ± 1/16"			
CASTING ± 1/16"						
A.I.S.I. STANDARD FINISHES						
SYMBOL	∇	∇	∇	∇	∇	∇
MICRO-INCH VALUE	16	32	63	125	250	500 1000

  
**MIETHER**  
 BEARING PRODUCTS  
 AN ALCO INDUSTRIES COMPANY  
 ODESSA, TX. USA

SAF 22240 08-12 x 07-10	
ASSEMBLY DRAWING	
SCALE 1 = 3	ASSEMBLY NO.
DRAWN BAB	DRAWING NO.
DATE 1/27/88	C-14216
CHK:	