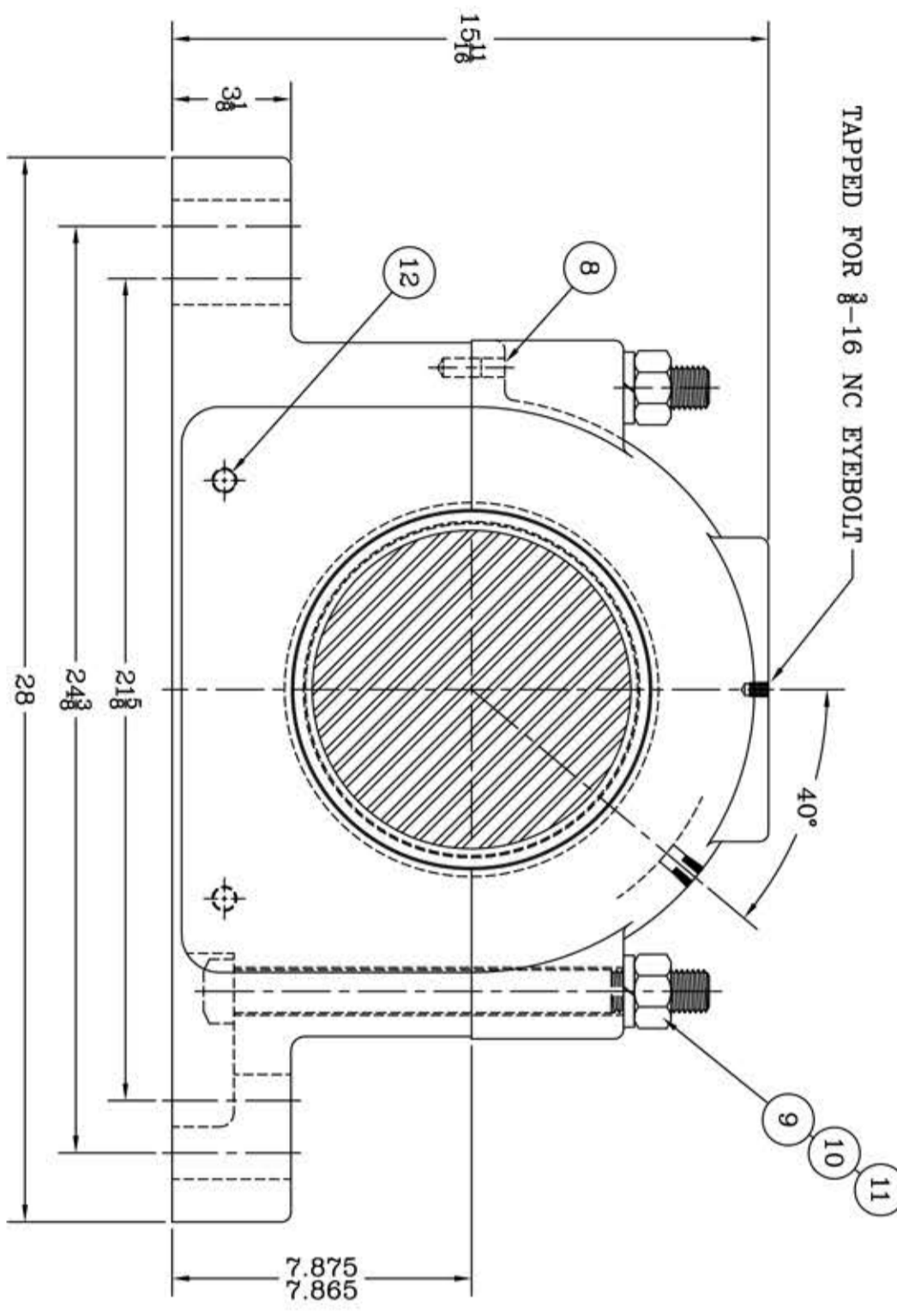
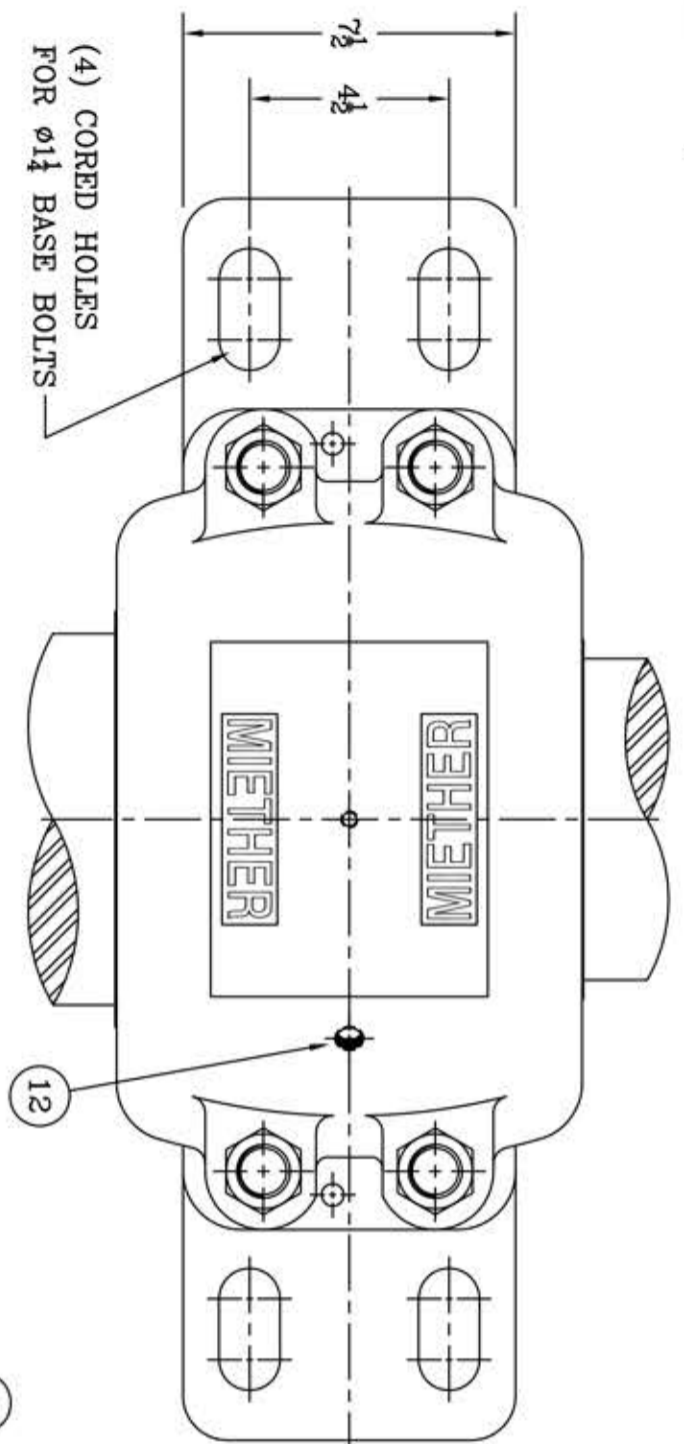
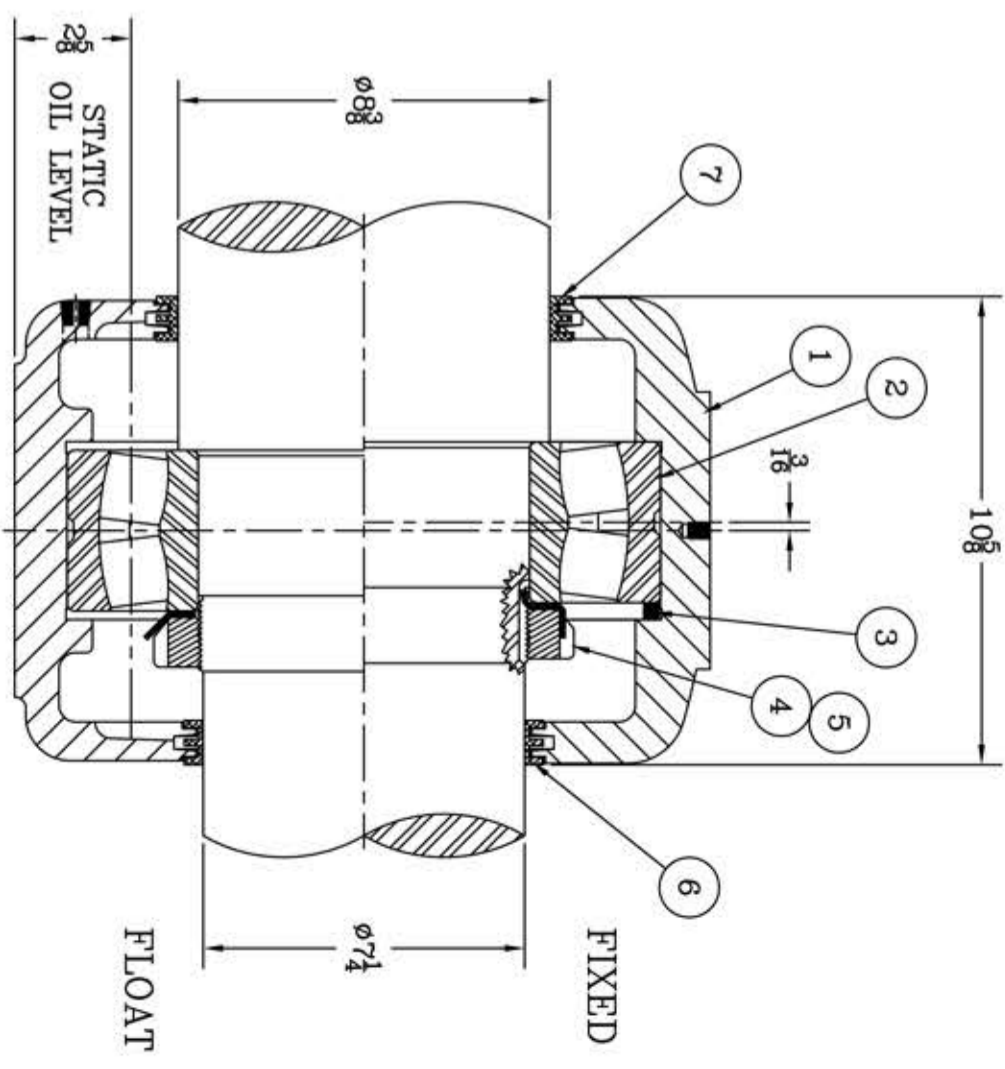


This drawing is the sole property of Miether Bearing Products and contains confidential and proprietary information. It is being provided to you for your use and may not be disclosed to any third party or used for any other purpose without Miether's prior written consent. The [materials] must be returned to the Company upon its demand. Your acceptance of these materials constitutes your acceptance of the foregoing terms.

C-14210



ITEM	DESCRIPTION	DETAIL	REQUIRED
1	HOUSING SAF 238	C-13144-R	1 1
2	SPHERICAL ROLLER BEARING	22238/W-33	1 1
3	STABILIZING RING SR-38-32	A-10555	1 0
4	LOCKNUT AN-38	B-10423	1 1
5	LOCKWASHER W-38	00253	1 1
6	TRIPLE SEAL RING LER 160	A-10590	1 1
7	TRIPLE SEAL RING LER 171	A-10593	1 1
8	DOWEL $\phi 2 \times 1$ " LONG		2 2
9	CAP BOLT SQUARE HEAD $1\frac{1}{8}$ -7 NC x 12 1/2" LONG		4 4
10	CAP BOLT HEX NUT $1\frac{1}{8}$ -7 NC		4 4
11	LOCKWASHER $1\frac{1}{8}$ SPLIT MED.		4 4
12	PIPE PLUG $\frac{3}{8}$ -18 NPT		3 3



REDRAWN ON COMPUTER TO SCALE by RWB 1-8-04

REVISIONS

SYMBOL	DESCRIPTION
✓	ASSEMBLY FINISHES
✓	WELD
✓	ANGLES
✓	DECIMALS
✓	FRACTIONS

TOLERANCE: UNLESS OTHERWISE SPECIFIED
 FRACTIONS $\pm 1/32$ " ANGLES $\pm 0^\circ 30'$
 DECIMALS $\pm .005$ WELD $\pm 1/16$ "
 CASTING $\pm 1/16$ "

A.I.S.I. STANDARD FINISHES

SYMBOL	FINISH
✓	16
✓	32
✓	63
✓	125
✓	250
✓	500
✓	1000

AN ALCO INDUSTRIES COMPANY
 BEARING PRODUCTS
 ODESSA, TX. USA

SAF 22238 08-06 x 07-04	ASSEMBLY DRAWING
SCALE 1 = 3	ASSEMBLY NO.
DRAWN BAB	DRAWING NO.
DATE 1/25/88	C-14210
CHK:	