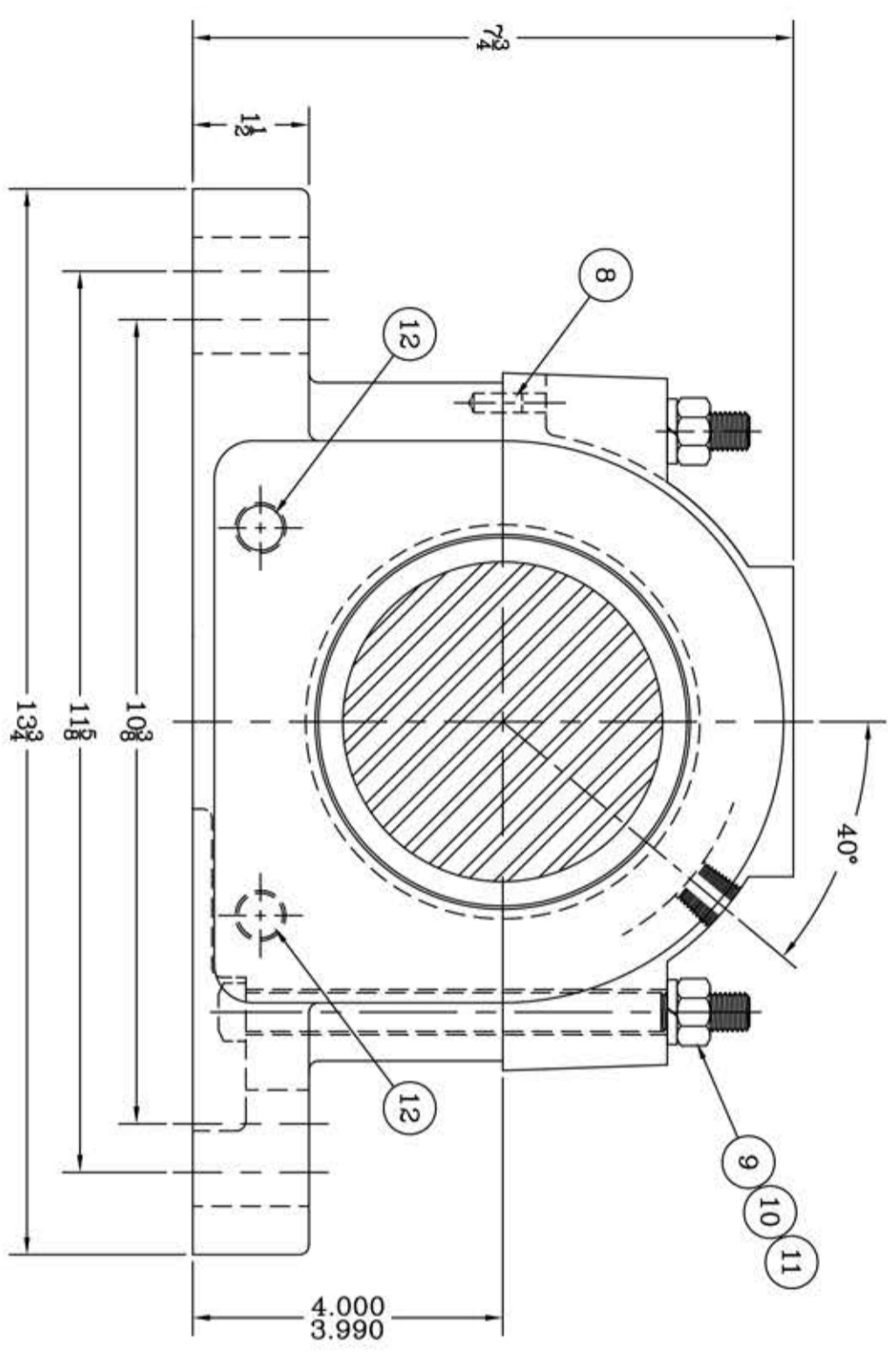
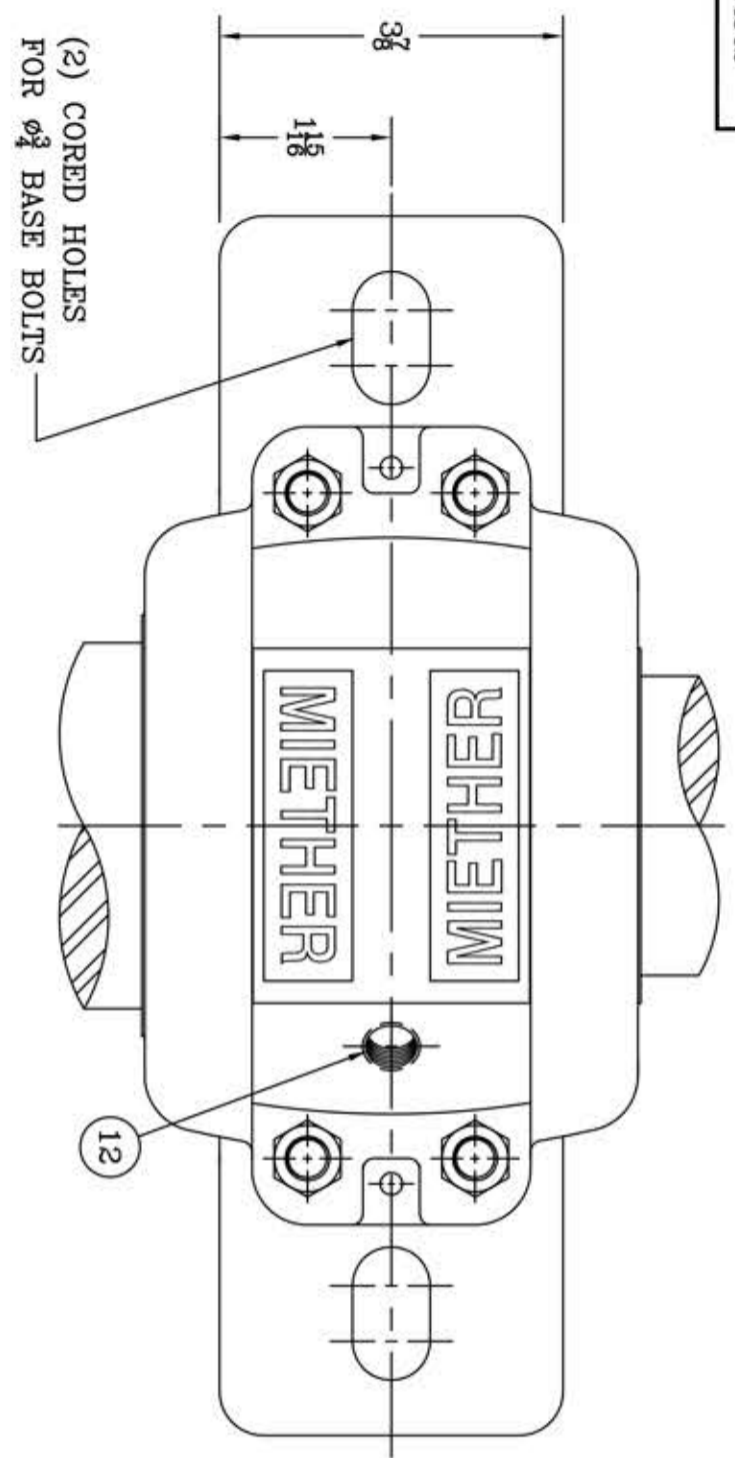
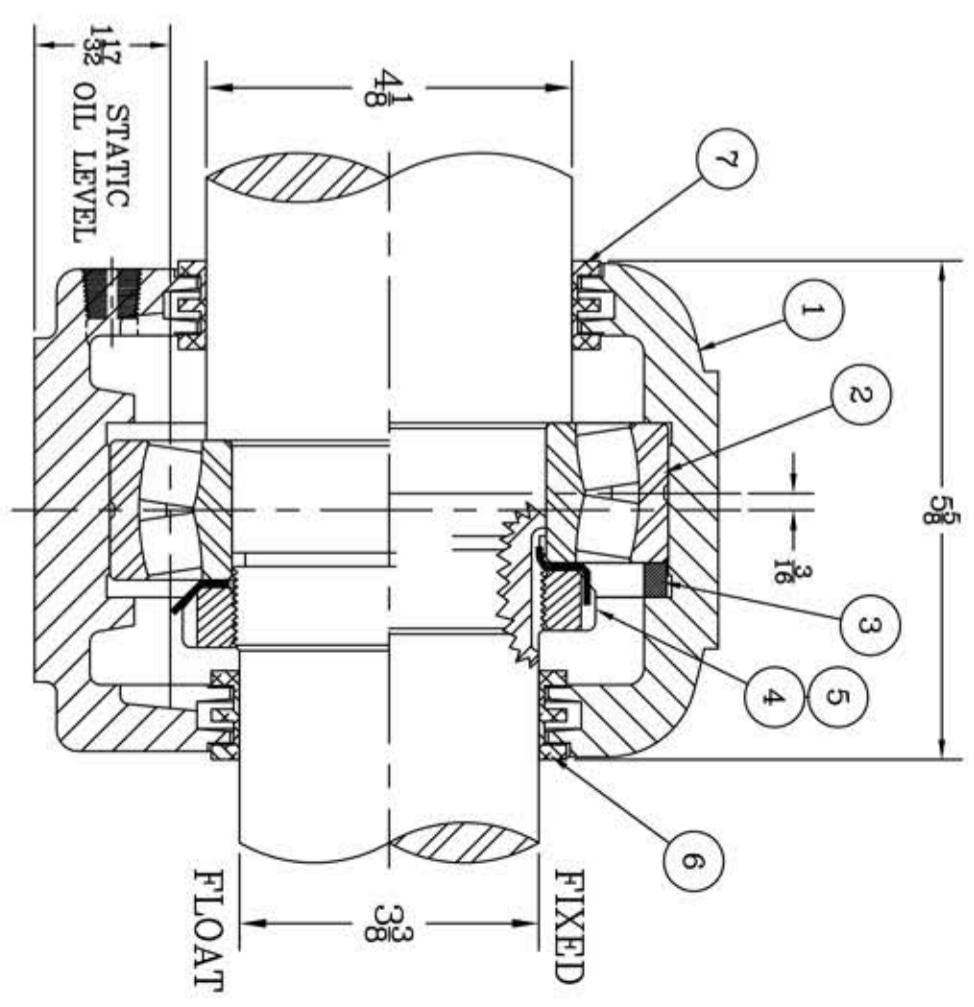


This drawing is the sole property of Miether Bearing Products and contains confidential and proprietary information. It is being provided to you for your use and may not be disclosed to any third party or used for any other purpose without Miether's prior written consent. The [materials] must be returned to the Company upon its demand. Your acceptance of these materials constitutes your acceptance of the foregoing terms.

C-14142



ITEM	DESCRIPTION	DETAIL	REQUIRED
1	HOUSING SAF 218	C-13132-R	1 1
2	SPHERICAL ROLLER BEARING	22218/W-33	1 1
3	STABILIZING RING SR-18-15	A-10601	1 0
4	LOCKNUT AN-18	B-10783	1 1
5	LOCKWASHER W-18	00243	1 1
6	TRIPLE SEAL RING LER-191	A-11791	1 1
7	TRIPLE SEAL RING LER-96	A-10935	1 1
8	DOWEL	$\phi \frac{1}{4}$ x $\frac{3}{8}$ LONG	2 2
9	CAP BOLT SQUARE HEAD	$\frac{1}{2}$ -13 NC x $6\frac{1}{2}$ " LONG	4 4
10	CAP BOLT HEX. NUT	$\frac{1}{2}$ -13 NC	4 4
11	LOCKWASHER	$\frac{1}{2}$ SPLIT MED.	4 4
12	PIPE PLUG	$\frac{3}{8}$ -18 NPT	3 3



REDRAWN FOR CONFORMITY
RWB per KAB
1-20-04

REVISIONS

SYMBOL	DESCRIPTION
C	CHANGED
D	DELETED
E	EDITED
F	FINISHED
G	GENERAL
J	JOB
K	KEY

TOLERANCE: UNLESS OTHERWISE SPECIFIED
FRACTIONS $\pm 1/32$ "
DECIMALS $\pm .005$ "
CASTING $\pm 1/16$ "
WELD $\pm 1/16$ "
ANGLES $\pm 0^\circ 30'$
A.I.S.I. STANDARD FINISHES

AN ALCO INDUSTRIES COMPANY
ODessa, TX, USA

SAF 22218 04-02 x 03-06
ASSEMBLY DRAWING
SCALE 1 = 1.5
DRAWN BAB
DATE 1/22/88
CHK: