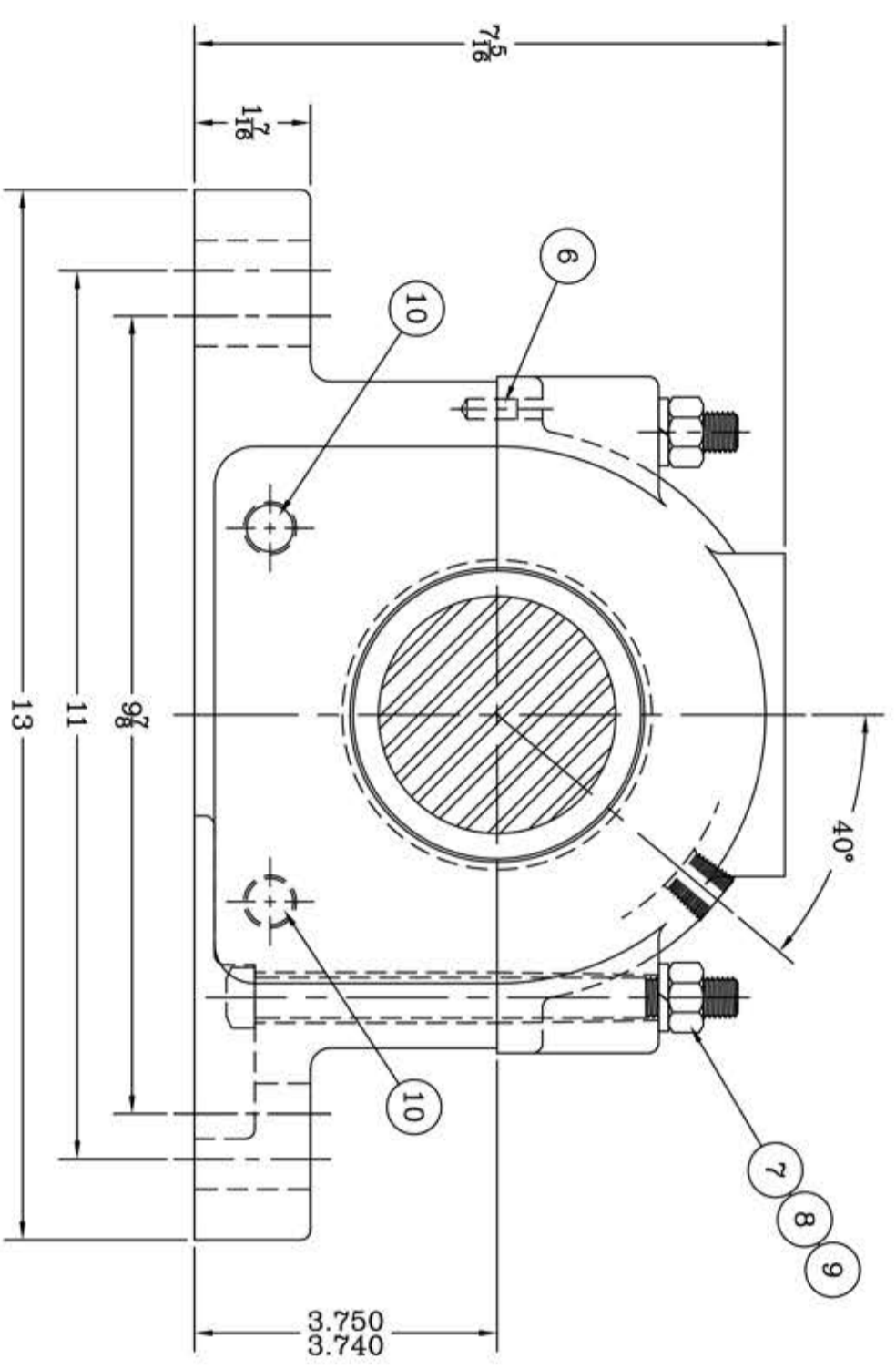
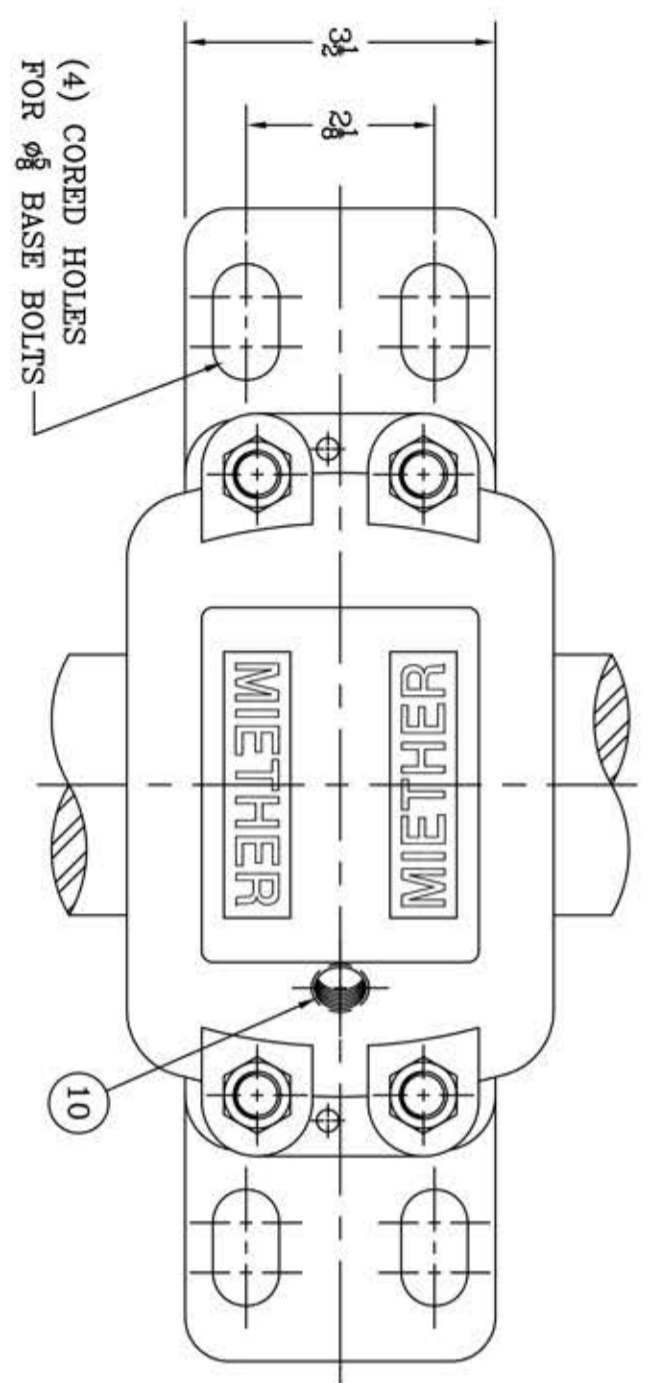
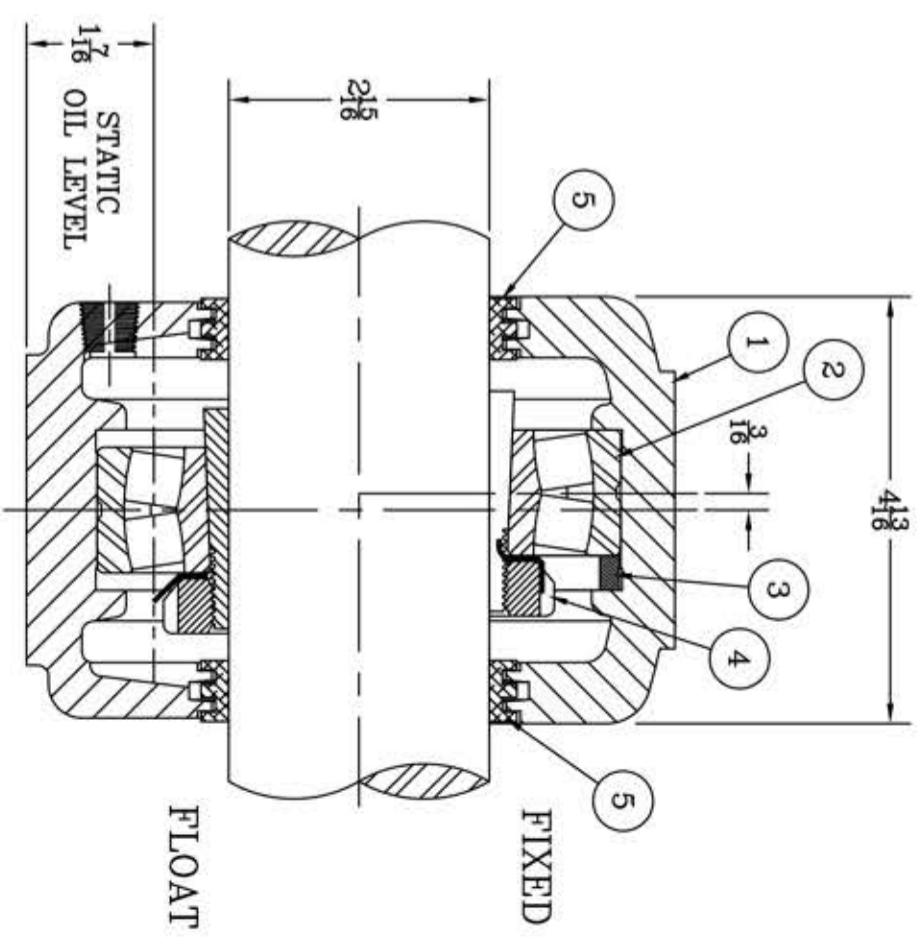


This drawing is the sole property of Miether Bearing Products and contains confidential and proprietary information. It is being provided to you for your use and may not be disclosed to any third party or used for any other purpose without Miether's prior written consent. The [materials] must be returned to the Company upon its demand. Your acceptance of these materials constitutes your acceptance of the foregoing terms.

C-14020



ITEM	DESCRIPTION	DETAIL	REQUIRED
1	HOUSING FSAF 517 02-15	C-13150-R	1 1
2	SPHERICAL ROLLER BEARING	22217K/W-33	1 1
3	STABILIZING RING SR-17-14	A-10600	1 0
4	ADAPTER SNW-17 02-15	B-24410	1 1
5	TRIPLE SEAL RING LER-53	A-10985	2 2
6	DOWEL	$\phi 1/4$ x $3/8$ LONG	2 2
7	CAP BOLT SQUARE HEAD	$1/2$ -13 NC x 6" LONG	4 4
8	CAP BOLT HEX. NUT	$1/2$ -13 NC	4 4
9	LOCKWASHER	$1/2$ SPLIT MED.	4 4
10	PIPE PLUG	$3/8$ -18 NPT	3 3



REDRAWN FOR CONFORMITY RWB 1-12-04

REVISIONS

SYMBOL	DESCRIPTION
$\nabla$	CHAMFER
$\nabla$	DRILL
$\nabla$	ENLARGE
$\nabla$	REMOVE
$\nabla$	DRILL
$\nabla$	DRILL
$\nabla$	DRILL
$\nabla$	DRILL
$\nabla$	DRILL
$\nabla$	DRILL

AN ALCO INDUSTRIES COMPANY  
BEARING PRODUCTS  
ODESSA, TX. USA

FSAF 22517 02-15	ASSEMBLY DAWING
SCALE 1 = 1.5	ASSEMBLY NO.
DRAWN GM	DRAWING NO.
DATE 1/26/70	C-14020
CHK:	

TOLERANCE: UNLESS OTHERWISE SPECIFIED  
FRACTIONS  $\pm 1/32$ "  
DECIMALS  $\pm .005$   
CASTING  $\pm 1/16$ "  
WELD  $\pm 1/16$ "  
ANGLES  $\pm 0^\circ 30'$   
A.I.S.I. STANDARD FINISHES