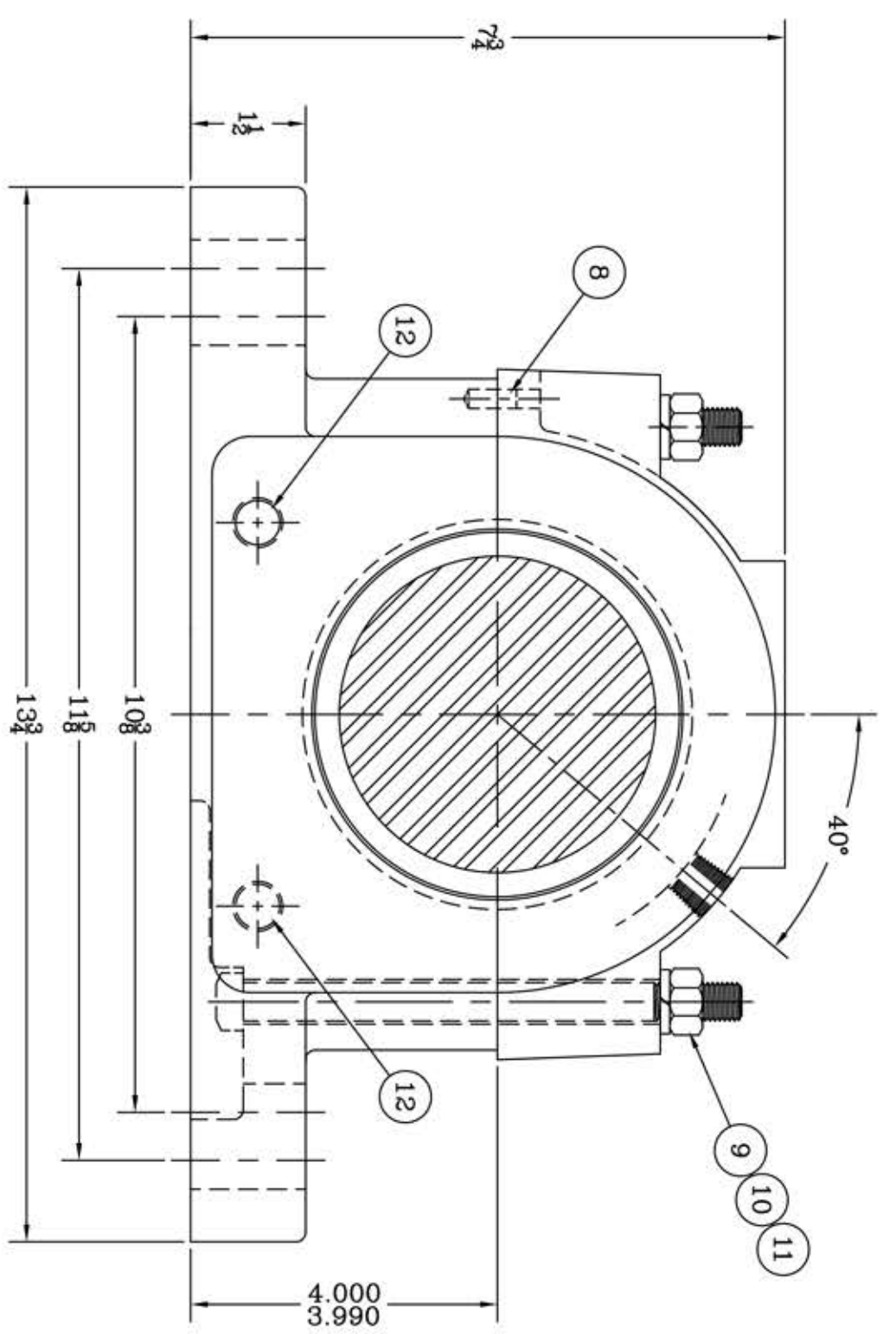
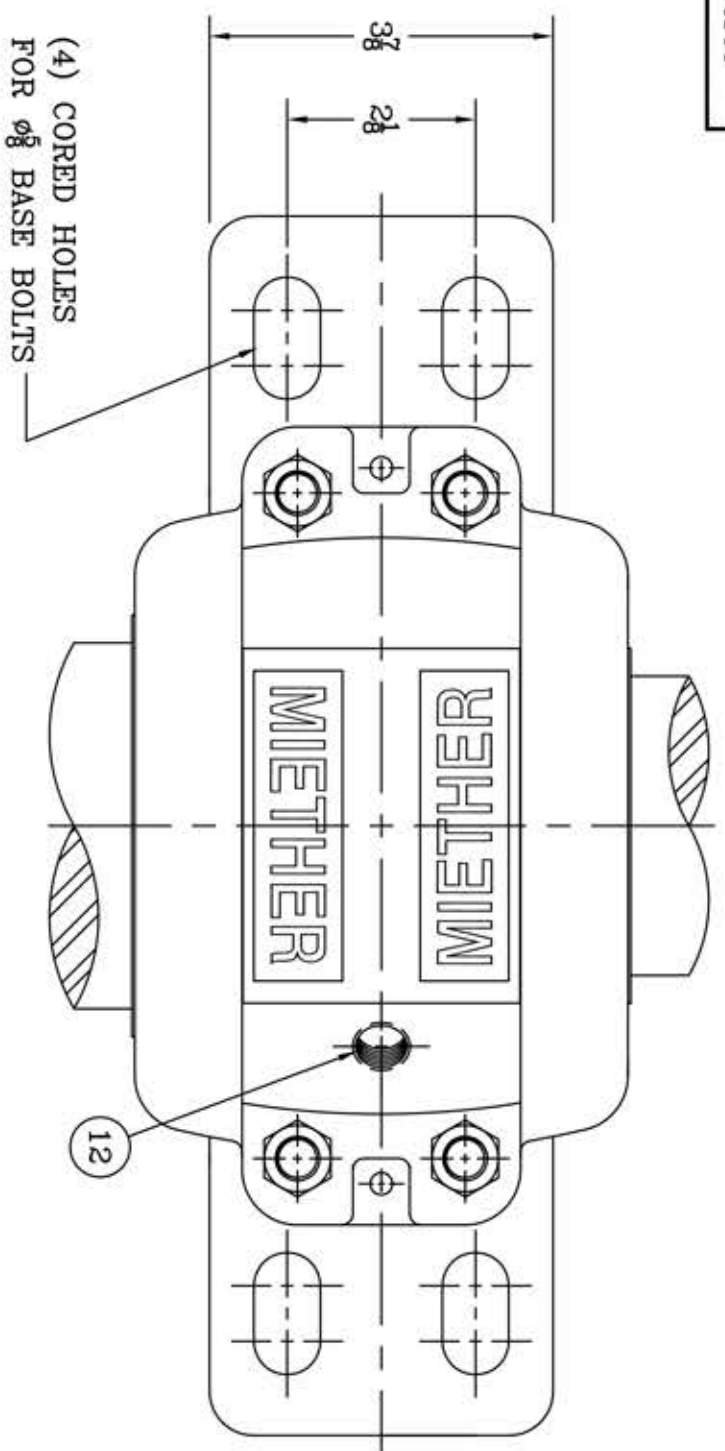
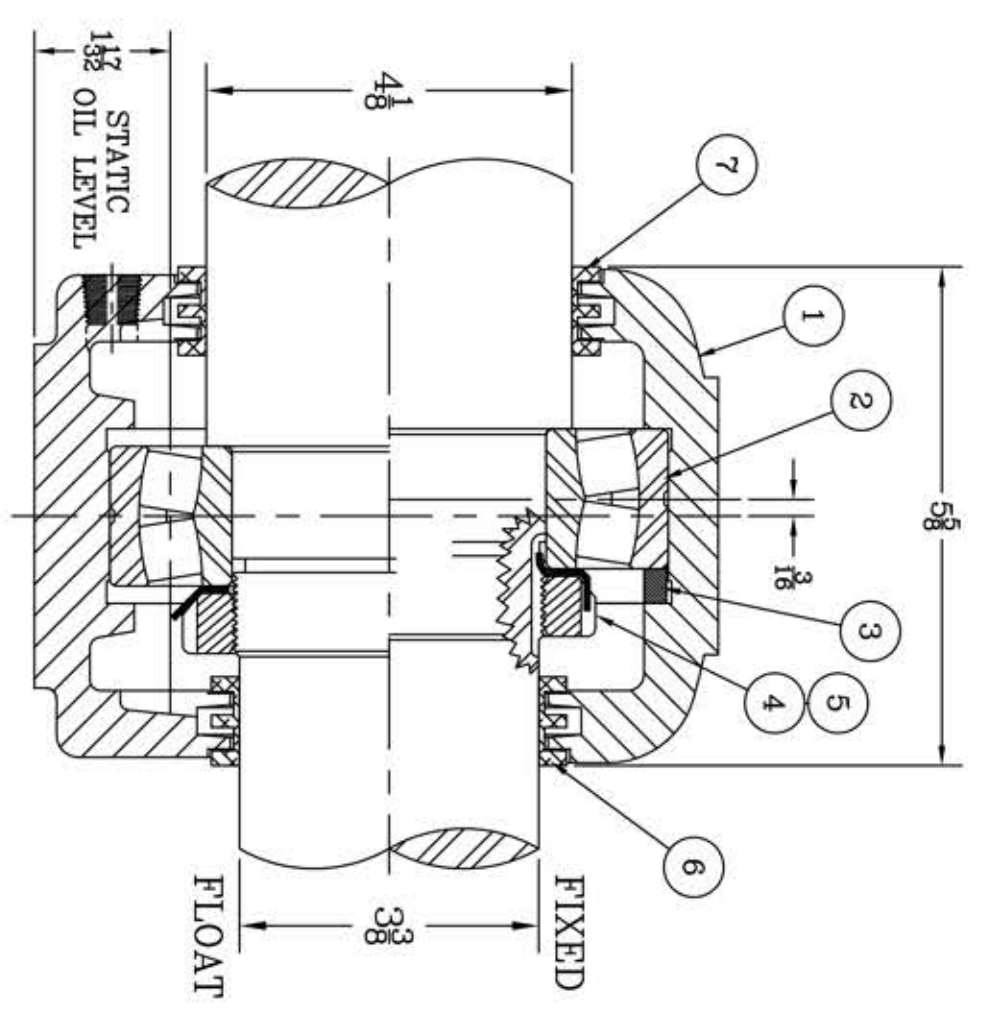


This drawing is the sole property of Miether Bearing Products and contains confidential and proprietary information. It is being provided to you for your use and may not be disclosed to any third party or used for any other purpose without Miether's prior written consent. The [materials] must be returned to the Company upon its demand. Your acceptance of these materials constitutes your acceptance of the foregoing terms.

C-14144



ITEM	DESCRIPTION	DETAIL	REQUIRED
1	HOUSING FSAF 218	C-13133-R	1 1
2	SPHERICAL ROLLER BEARING	22218/W-33	1 1
3	STABILIZING RING SR-18-15	A-10601	1 0
4	LOCKNUT AN-18	B-10783	1 1
5	LOCKWASHER W-18	00243	1 1
6	TRIPLE SEAL RING LER-191	A-11791	1 1
7	TRIPLE SEAL RING LER-96	A-10935	1 1
8	DOWEL	Ø 1/2 x 3/8 LONG	2 2
9	CAP BOLT SQUARE HEAD	1/2-13 NC x 6 1/2" LONG	4 4
10	CAP BOLT HEX. NUT	1/2-13 NC	4 4
11	LOCKWASHER	1/2 SPLIT MED.	4 4
12	PIPE PLUG	3/8-18 NPT	3 3



REDRAWN FOR CONFORMITY
RWB per KAB
1-20-04

REVISIONS

SYMBOL	DESCRIPTION
✓C	16
✓D	32
✓E	63
✓F	125
✓G	250
✓J	500
✓K	1000

TOLERANCE: UNLESS OTHERWISE SPECIFIED

FRACTIONS +- 1/32" ANGLES +- 0° 30'

DECIMALS +- .005" WELD +- 1/16"

CASTING +- 1/16"

A.I.S.I. STANDARD FINISHES

AN ALCO INDUSTRIES COMPANY

BEARING PRODUCTS

ODESSA, TX. USA

FSAF 22218 04-02 x 03-06

ASSEMBLY DRAWING

SCALE 1 = 1.5

ASSEMBLY NO.

DRAWN BAB

DATE 1/26/88

DRAWING NO.

C-14144

CHK: