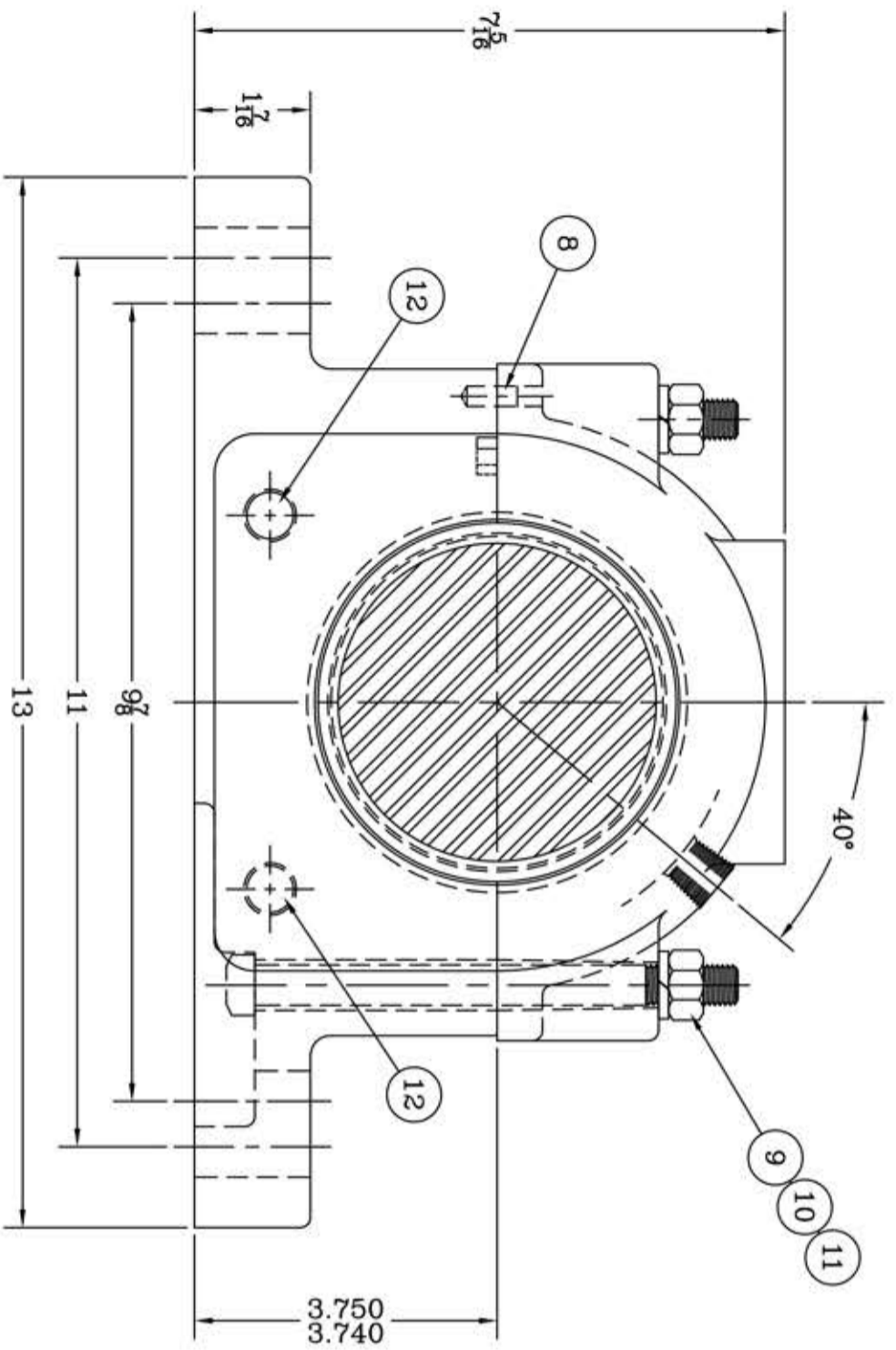
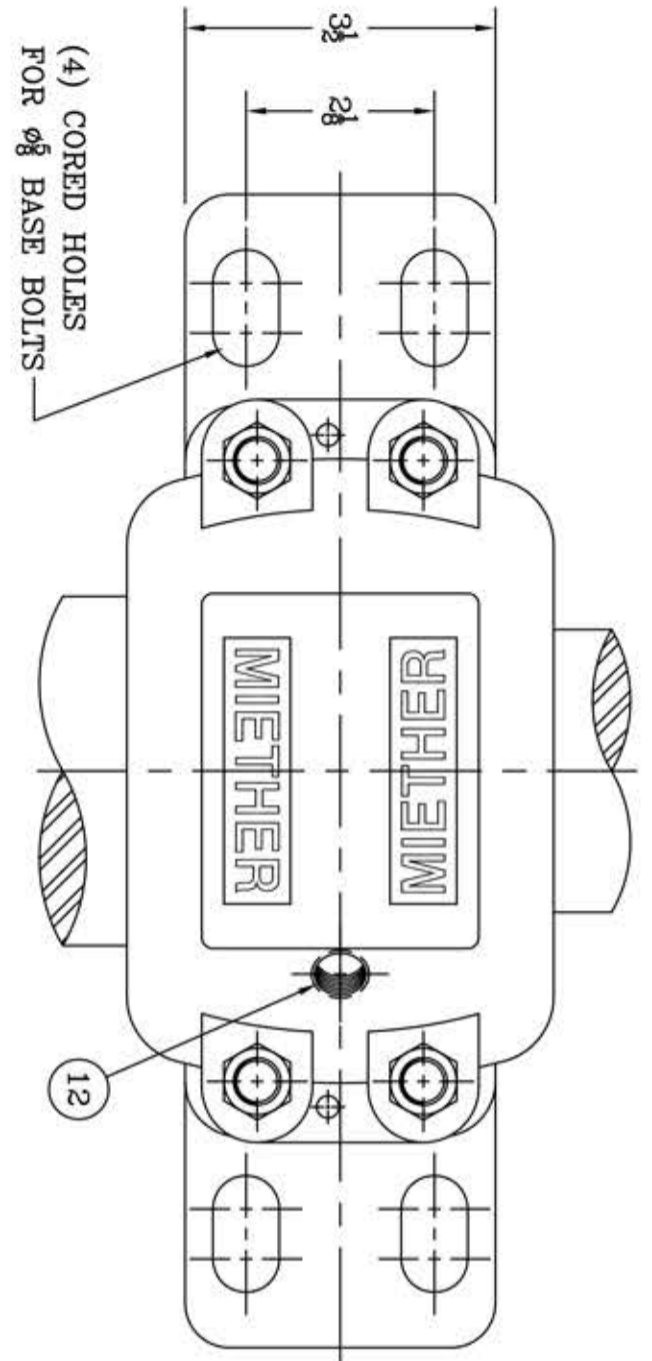
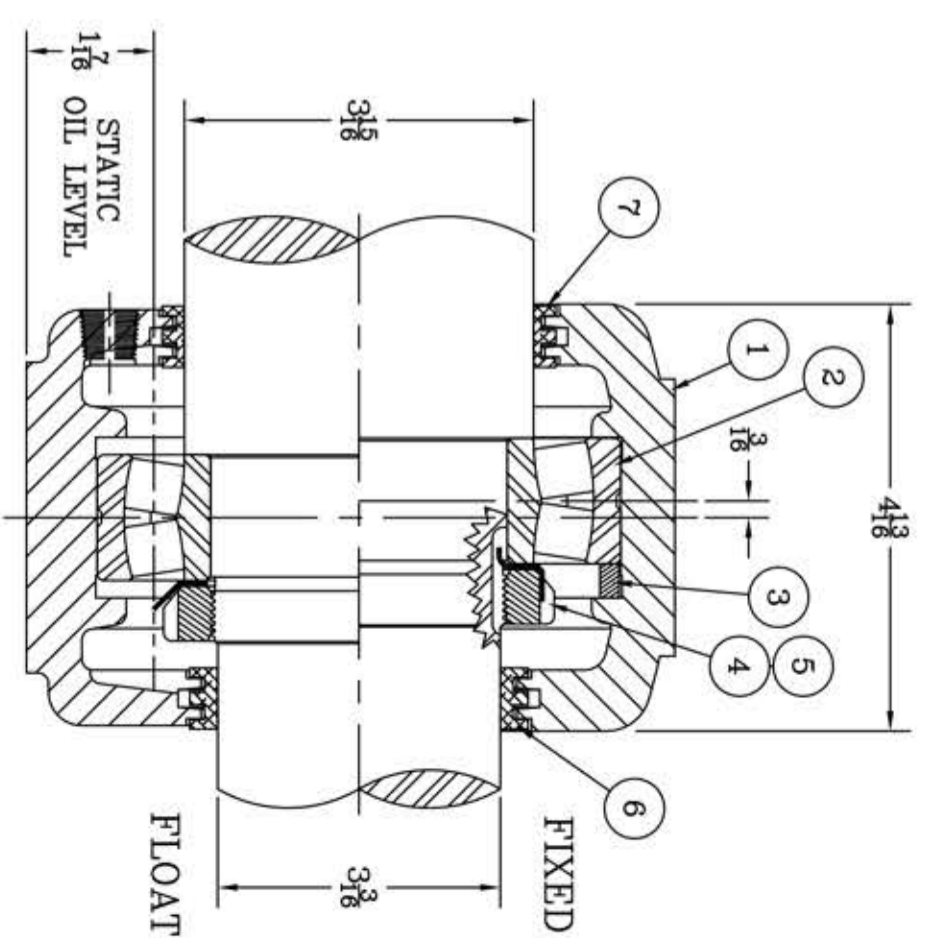


This drawing is the sole property of Miether Bearing Products and contains confidential and proprietary information. It is being provided to you for your use and may not be disclosed to any third party or used for any other purpose without Miether's prior written consent. The [materials] must be returned to the Company upon its demand. Your acceptance of these materials constitutes your acceptance of the foregoing terms.

C-14134



ITEM	DESCRIPTION	DETAIL	REQUIRED
1	HOUSING FSAF 217	C-13131-R	1 1
2	SPHERICAL ROLLER BEARING	22217/W-33	1 1
3	STABILIZING RING	SR-17-14	1 0
4	LOCKNUT	AN-17	1 1
5	LOCKWASHER	W-17	1 1
6	TRIPLE SEAL RING	LER 63	1 1
7	TRIPLE SEAL RING	LER 89	1 1
8	DOWEL	Ø 1/2 x 3/8 LONG	2 2
9	CAP BOLT SQUARE HEAD	1/2-13 NC x 6" LONG	4 4
10	CAP BOLT HEX. NUT	1/2-13 NC	4 4
11	LOCKWASHER	1/2 SPLIT MED.	4 4
12	PIPE PLUG	3/8-18 NPT	3 3



REDRAWN FOR CONFORMITY RWB 1-7-04

REVISIONS

SYMBOL	DESCRIPTION
C	REVISIONS
D	REVISIONS
E	REVISIONS
F	REVISIONS
G	REVISIONS
J	REVISIONS
K	REVISIONS

TOLERANCE: UNLESS OTHERWISE SPECIFIED
 FRACTIONS $\pm 1/32"$ ANGLES $\pm 0^\circ 30'$
 DECIMALS $\pm .005"$ WELD $\pm 1/16"$
 CASTING $\pm 1/16"$

A.I.S.I. STANDARD FINISHES

MICRO-INCH VALUE	FINISH
16	C
32	D
63	E
125	F
250	G
500	J
1000	K

AN ALCO INDUSTRIES COMPANY
 BEARING PRODUCTS
 ODESSA, TX. USA

FSAF 22217 03-15 x 03-03
 ASSEMBLY DRAWING

SCALE 1 = 1.5
 DRAWN BAB
 DATE 1/26/88
 CHK.

ASSEMBLY NO.
 DRAWING NO. C-14134