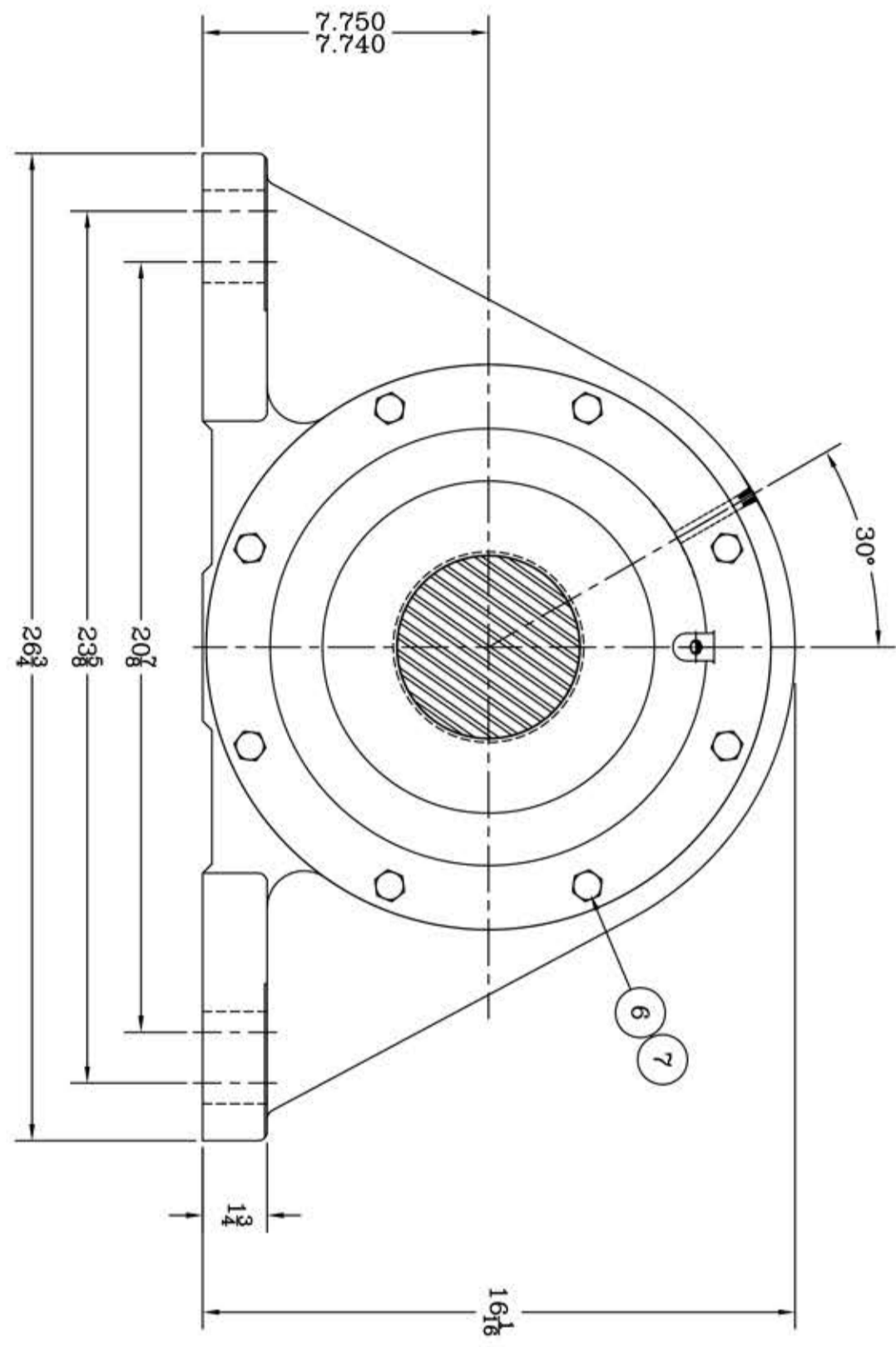
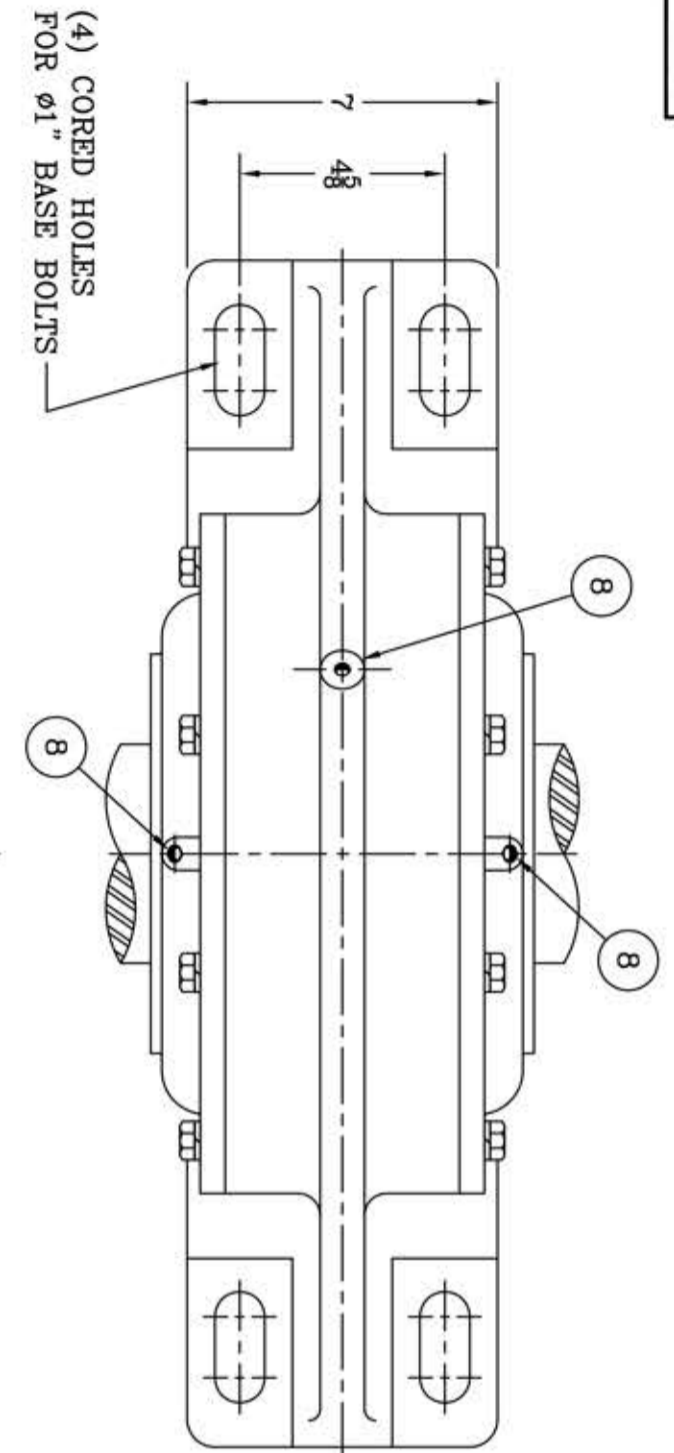
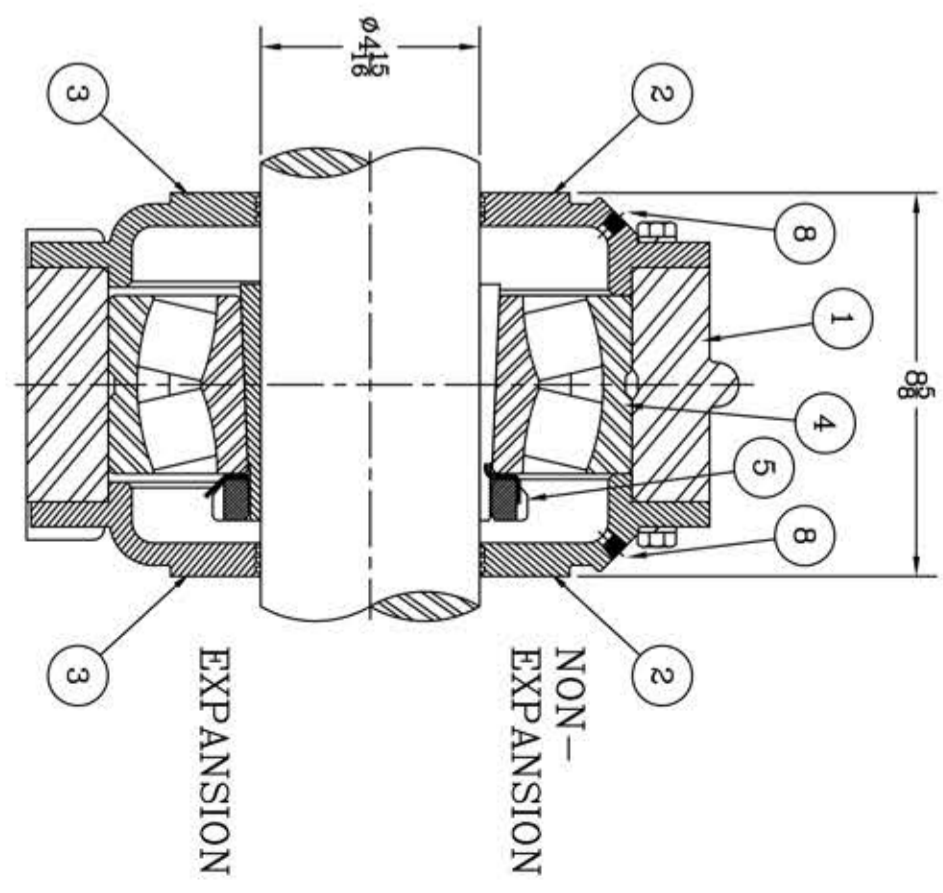


This drawing is the sole property of Miether Bearing Products and contains confidential and proprietary information. It is being provided to you for your use and may not be disclosed to any third party or used for any other purpose without Miether's prior written consent. The [materials] must be returned to the Company upon its demand. Your acceptance of these materials constitutes your acceptance of the foregoing terms.

C-14746




ITEM	DESCRIPTION	DETAIL	REQUIRED
1	HOUSING M3009	C-03009	1 1
2	ENDCAP F3482	C-22868	2 0
3	ENDCAP F3483	C-22868	0 2
4	SPHERICAL ROLLER BEARING	22328K/W-33	1 1
5	ADAPTER SNW-128	10871	1 1
6	CAP BOLT HEX. HEAD	½-13 NC x 1½ LONG	16 16
7	LOCKWASHER	½ SPLIT MED.	16 16
8	PIPE PLUG	½-27 NPT	3 3



REDRAWN ON
COMPUTER
RWB per KAB
9-16-03

REVISIONS

SYMBOL	DESCRIPTION
✓ C	16
✓ D	32
✓ E	63
✓ F	125
✓ G	250
✓ J	500
✓ K	1000


MIETHER BEARING PRODUCTS
 AN ALCO INDUSTRIES COMPANY
 ODESSA, TX USA

MMW 22628	04-15
ASSEMBLY DRAWING	
SCALE 1 = 3	ASSEMBLY NO.
DRAWN HRH	DRAWING NO.
DATE 10/20/73	C-14746
CHK:	

TOLERANCE: UNLESS OTHERWISE SPECIFIED
 FRACTIONS ± 1/32" ANGLES ± 0° 30'
 DECIMALS ± .005" WELD ± 1/16"
 CASTING ± 1/16"