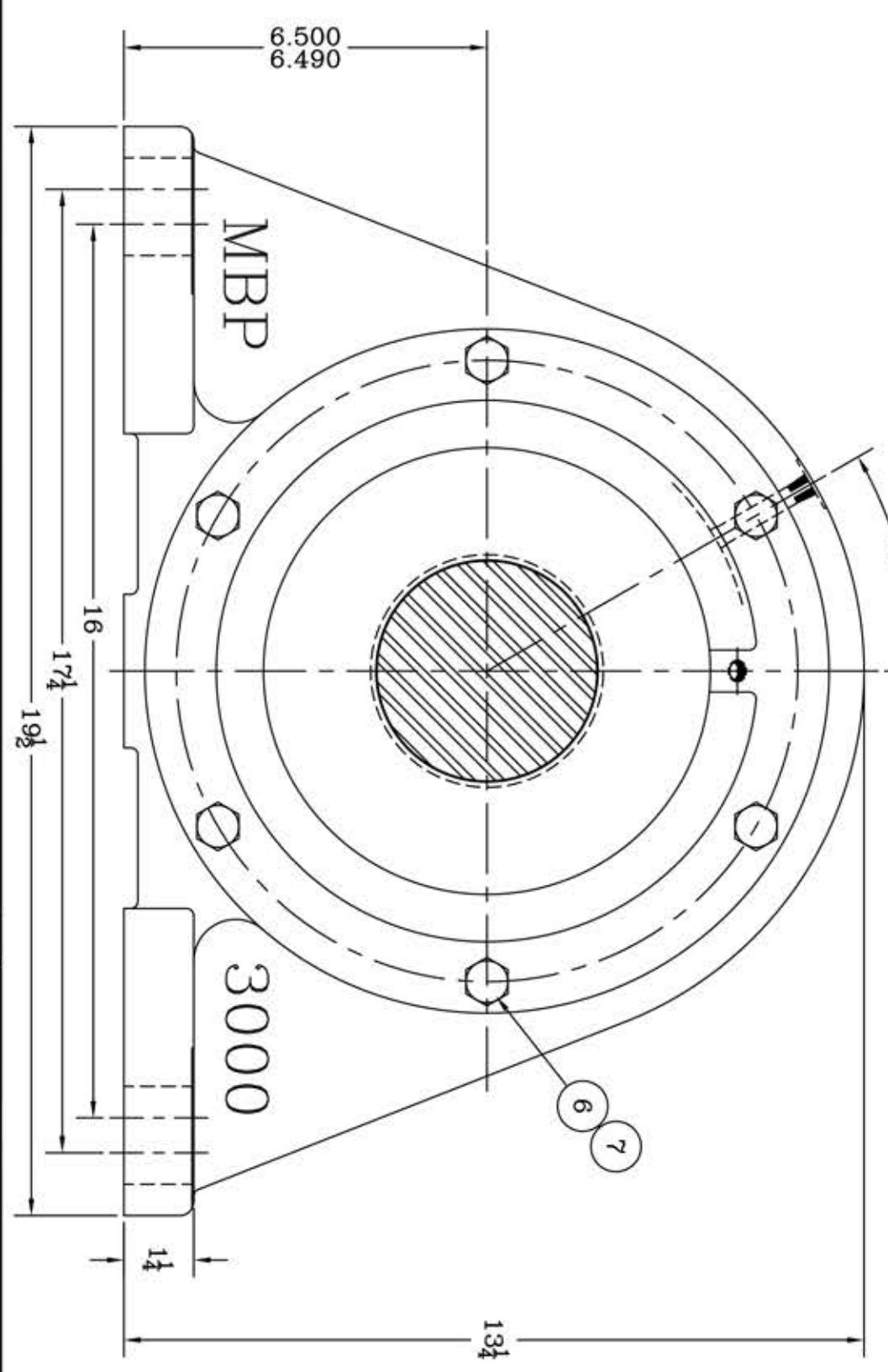
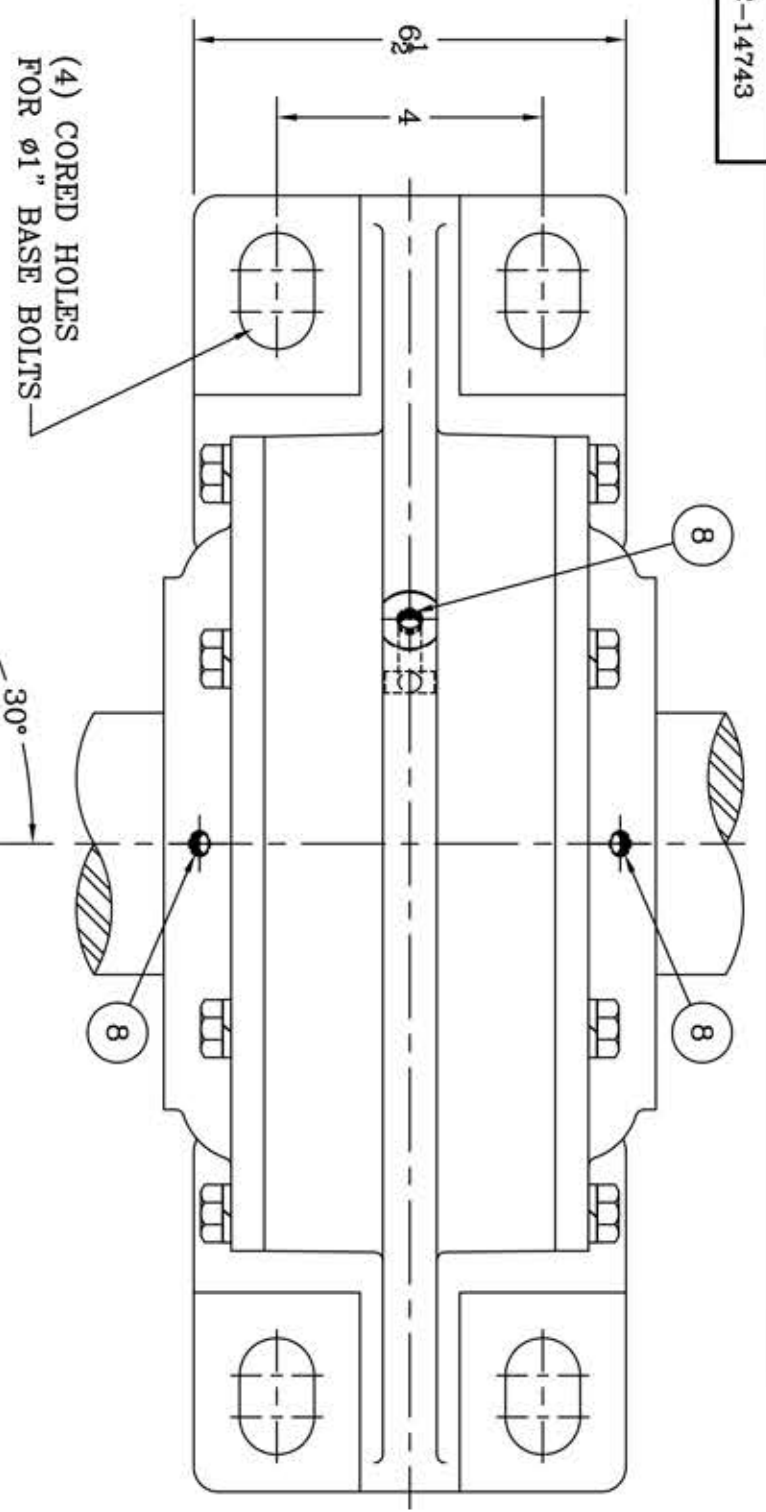
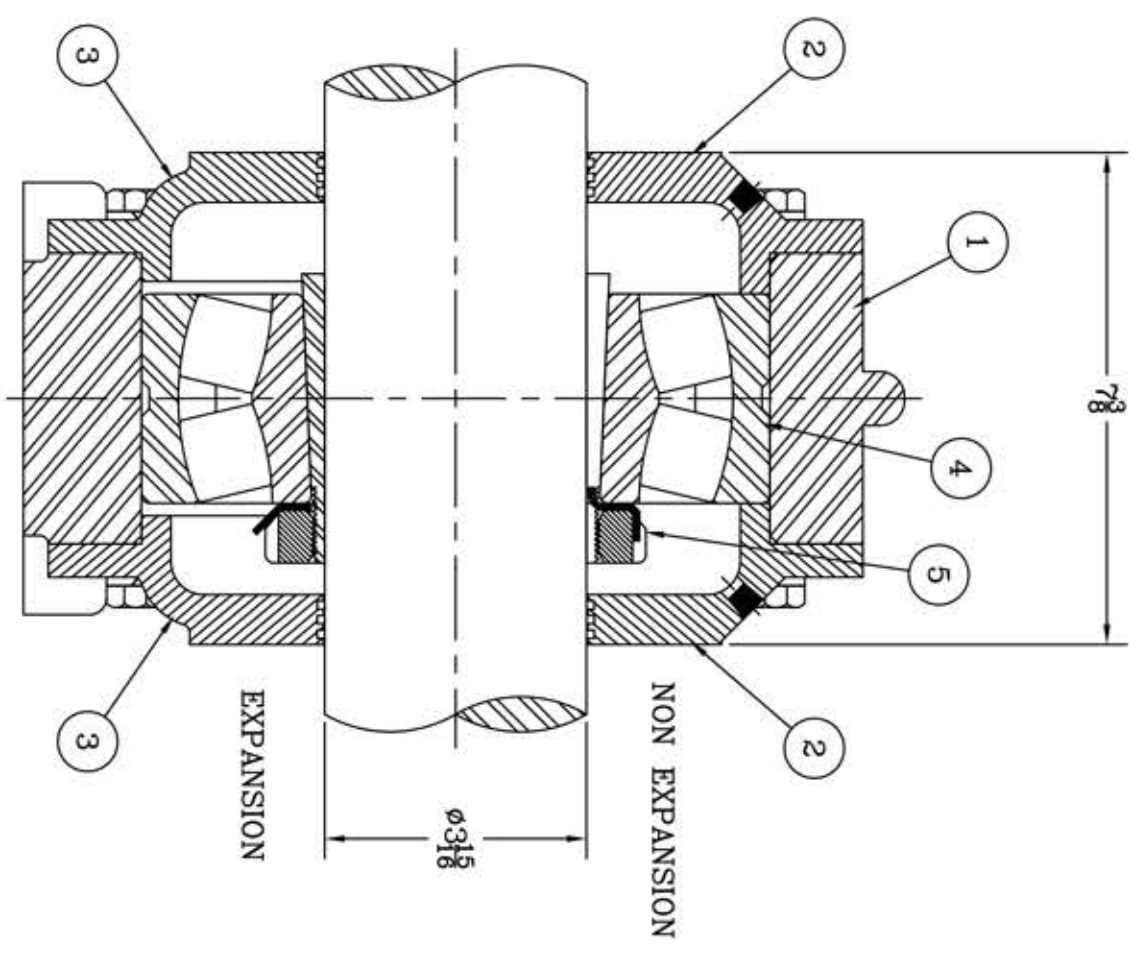


This drawing is the sole property of Miether Bearing Products and contains confidential and proprietary information. It is being provided to you for your use and may not be disclosed to any third party or used for any other purpose without Miether's prior written consent. The [materials] must be returned to the Company upon its demand. Your acceptance of these materials constitutes your acceptance of the foregoing terms.

C-14743



ITEM	DESCRIPTION	DETAIL	REQUIRED N EXP	EXP.
1	HOUSING M3002	C-03002	1	1
2	ENDCAP F3440 NEL	C-22804	2	0
3	ENDCAP F3441 EL	C-22804	0	2
4	SPHERICAL ROLLER BEARING	22322K/W-33	1	1
5	ADAPTER SNW-22 03-15	24423	1	1
6	CAP BOLT HEX. HEAD	1/2-13 NC x 1 1/2 LONG	12	12
7	LOCKWASHER	1/2 SPLIT MED.	12	12
8	PIPE PLUG	1/2-27 NPT	3	3



REDRAWN
ON COMPUTER
RWB per KAB
8-20-03

REVISIONS

SYMBOL	DESCRIPTION
✓C	16
✓D	32
✓E	63
✓F	125
✓G	250
✓J	500
✓K	1000

TOLERANCE: UNLESS OTHERWISE SPECIFIED
FRACTIONS $\pm 1/32$ " ANGLES $\pm 0^\circ 30'$
DECIMALS $\pm .005$ WELD $\pm 1/16$ "
CASTING $\pm 1/16$ "

A.I.S.I. STANDARD FINISHES

AN ALCO INDUSTRIES COMPANY
BEARING PRODUCTS
ODessa, TX USA

MMW 22622 03-15
ASSEMBLY DRAWING

SCALE HALF
DRAWN CJ
DATE 7/26/71
CHK:

ASSEMBLY NO.
DRAWING NO.
C-14743