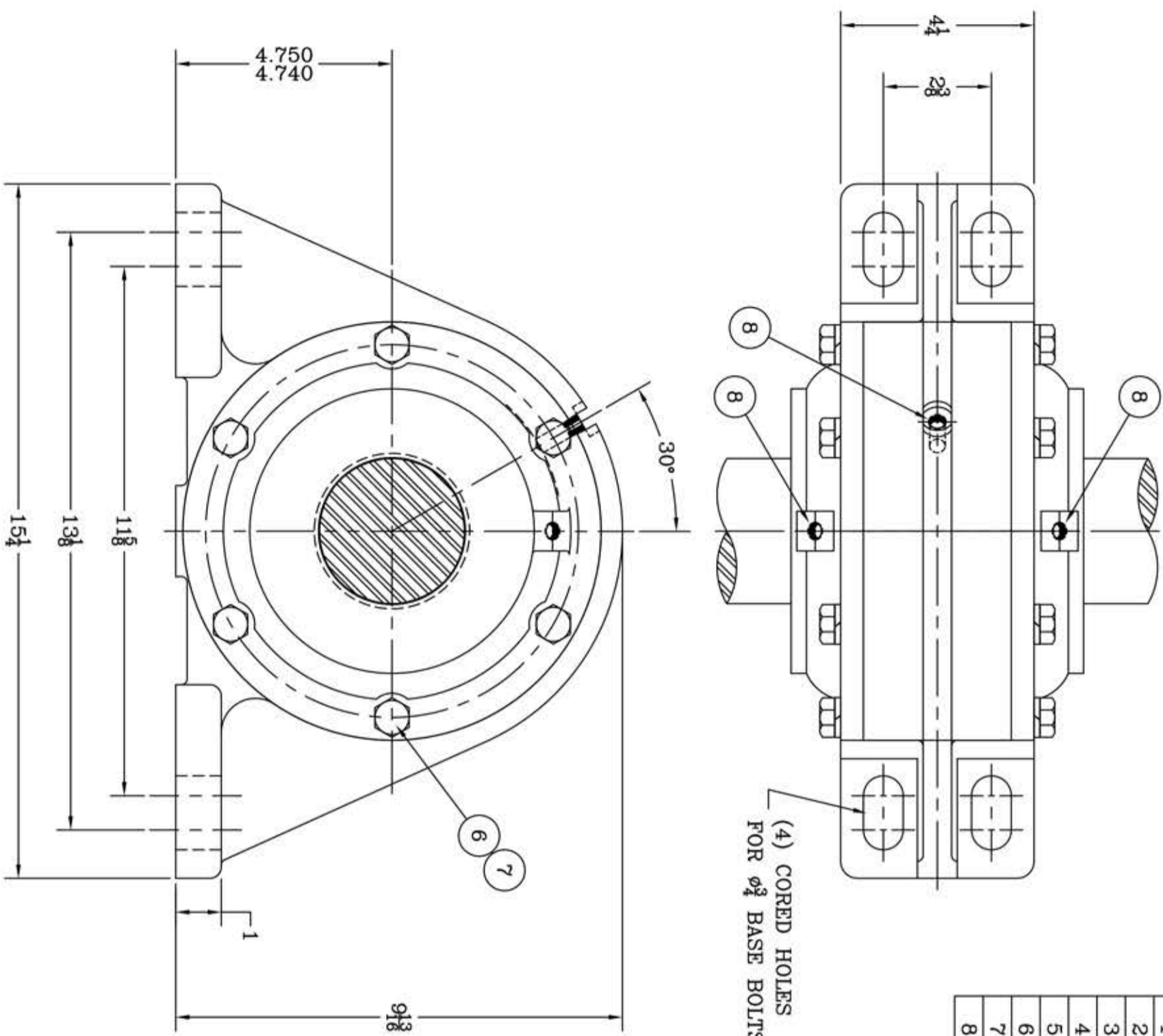
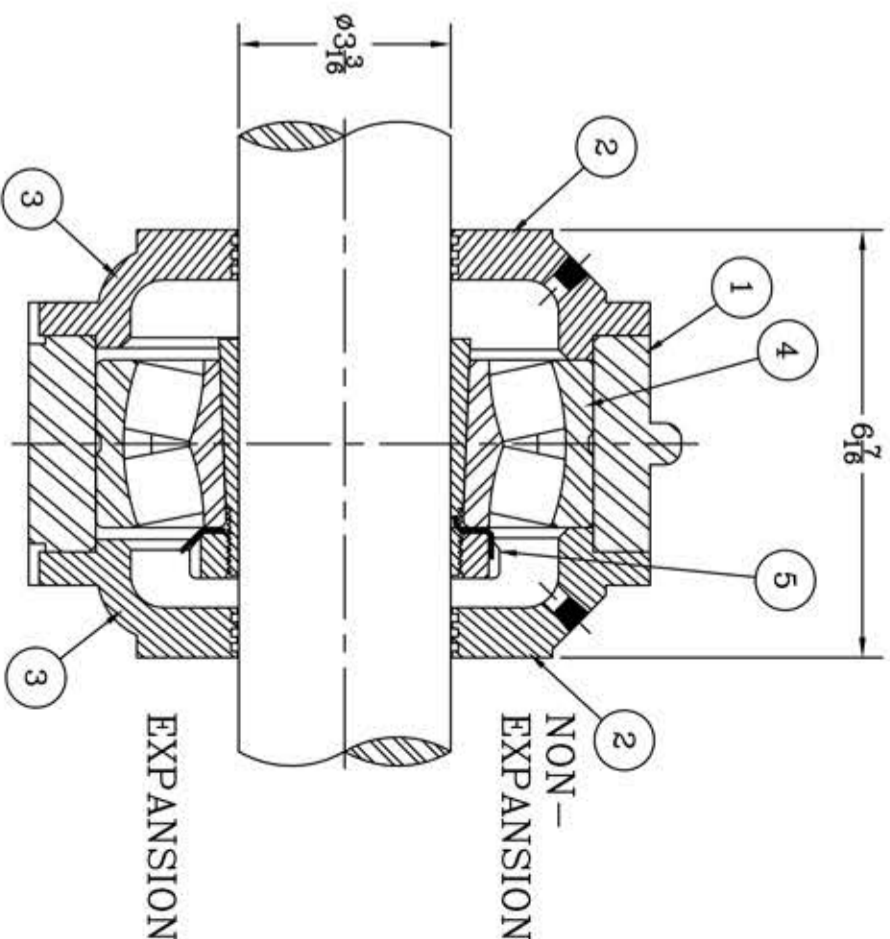


This drawing is the sole property of Miether Bearing Products and contains confidential and proprietary information. It is being provided to you for your use and may not be disclosed to any third party or used for any other purpose without Miether's prior written consent. The [materials] must be returned to the Company upon its demand. Your acceptance of these materials constitutes your acceptance of the foregoing terms.

C-14741



ITEM	DESCRIPTION	DETAIL	REQUIRED
			N EXP EXP.
1	HOUSING M3013	C-03013	1 1
2	ENDCAP F3404 NEL	C-22758	2 0
3	ENDCAP F3405 EL	C-22758	0 2
4	SPHERICAL ROLLER BEARING	22318K/W-33	1 1
5	ADAPTER SNW-18 03-03	B-11334	1 1
6	CAP BOLT HEX. HEAD	1/2-13 NC x 1 1/2 LONG	12 12
7	LOCKWASHER	1/2 SPLIT MED.	12 12
8	PIPE PLUG	1/2-27 NPT	3 3



REDRAWN ON COMPUTER  
RWB per KAB  
8-7-03

REVISIONS

SYMBOL	DESCRIPTION
C	16
D	32
E	63
F	125
G	250
J	500
K	1000

AN ALCO INDUSTRIES COMPANY  
BEARING PRODUCTS  
ODESSA, TX USA

MMW 22618 03-03	ASSEMBLY DRAWING
SCALE HALF	ASSEMBLY NO.
DRAWN CJ	DRAWING NO.
DATE 7-27-71	C-14741
CHK:	

TOLERANCE: UNLESS OTHERWISE SPECIFIED  
FRACTIONS +- 1/32" ANGLES +- 0° 30'  
DECIMALS +- .005" WELD +- 1/16"  
CASTING +- 1/16"