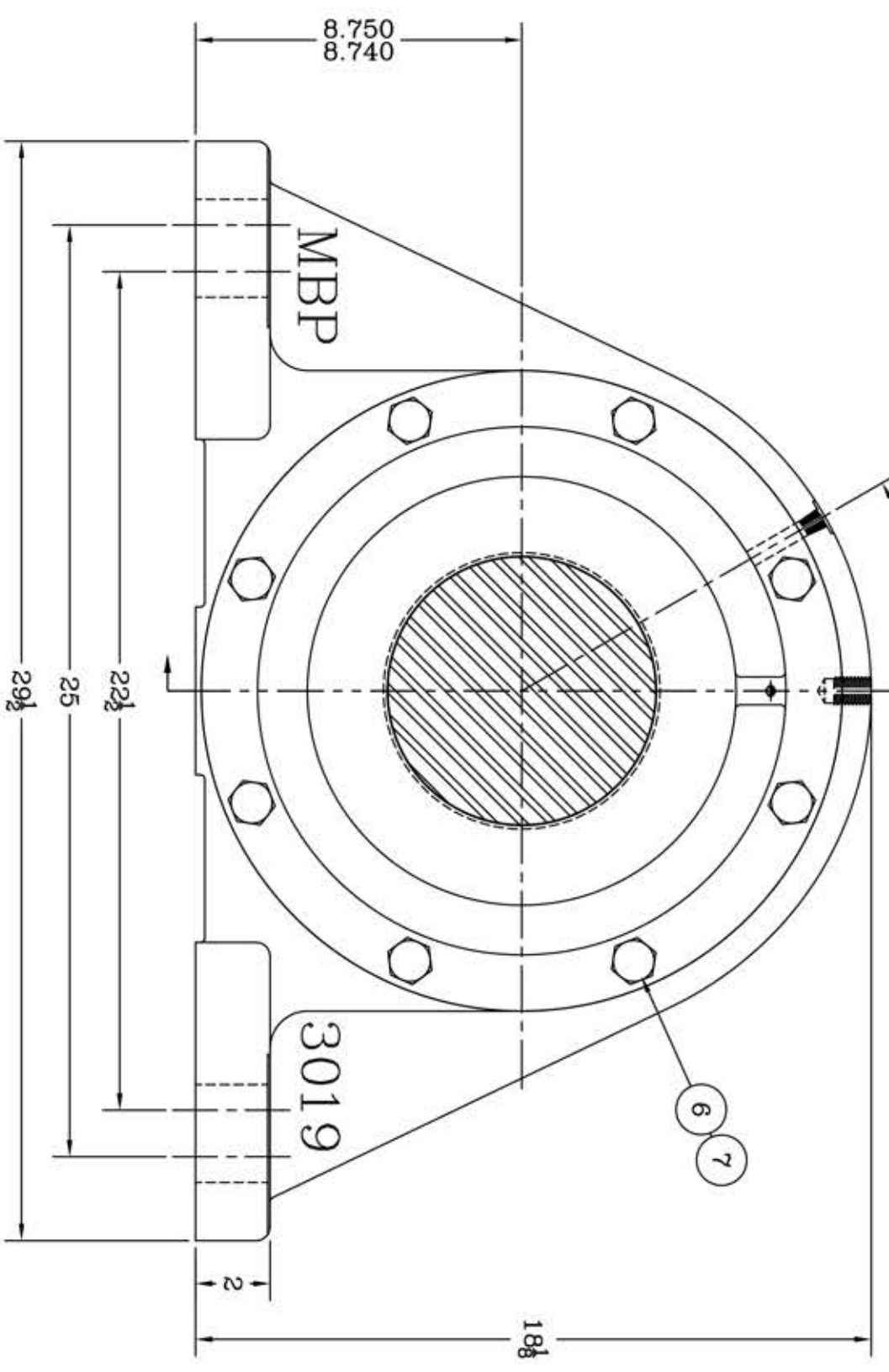
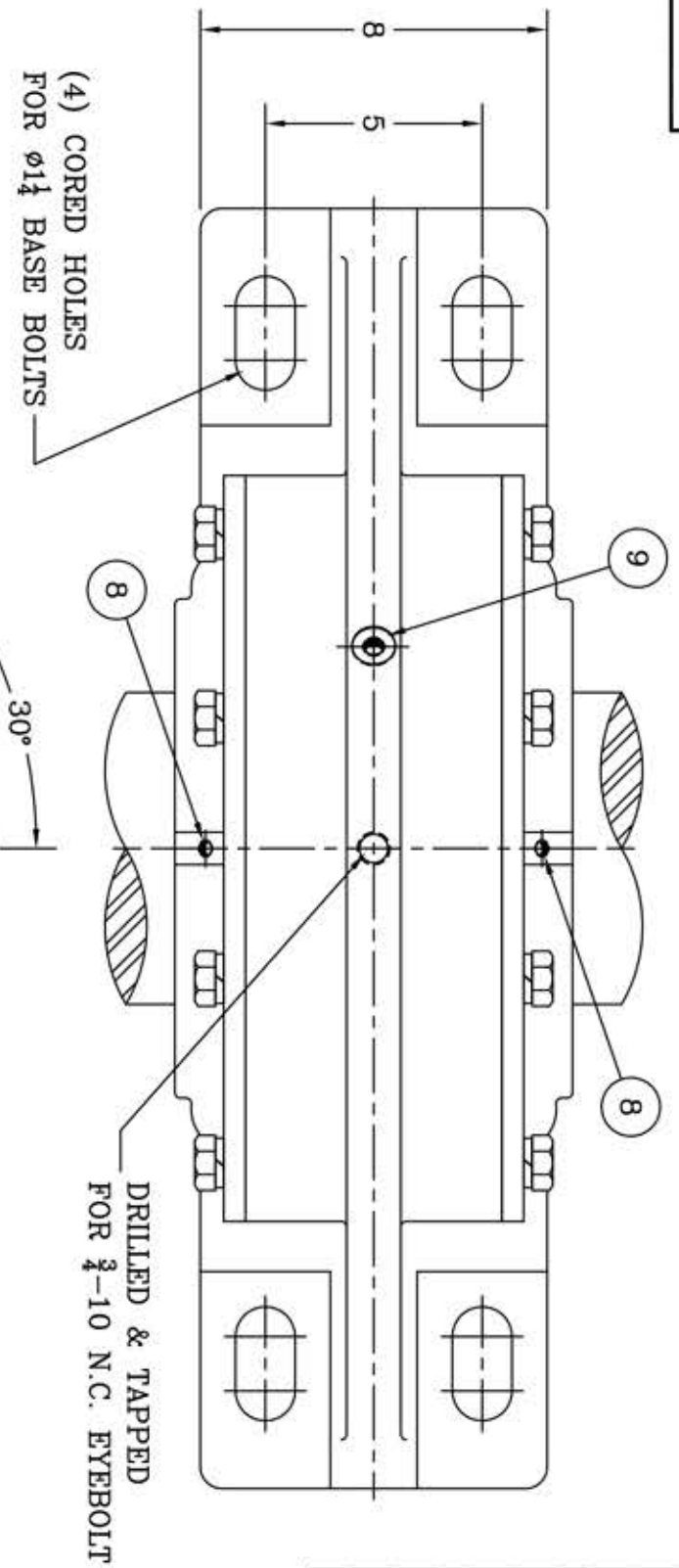
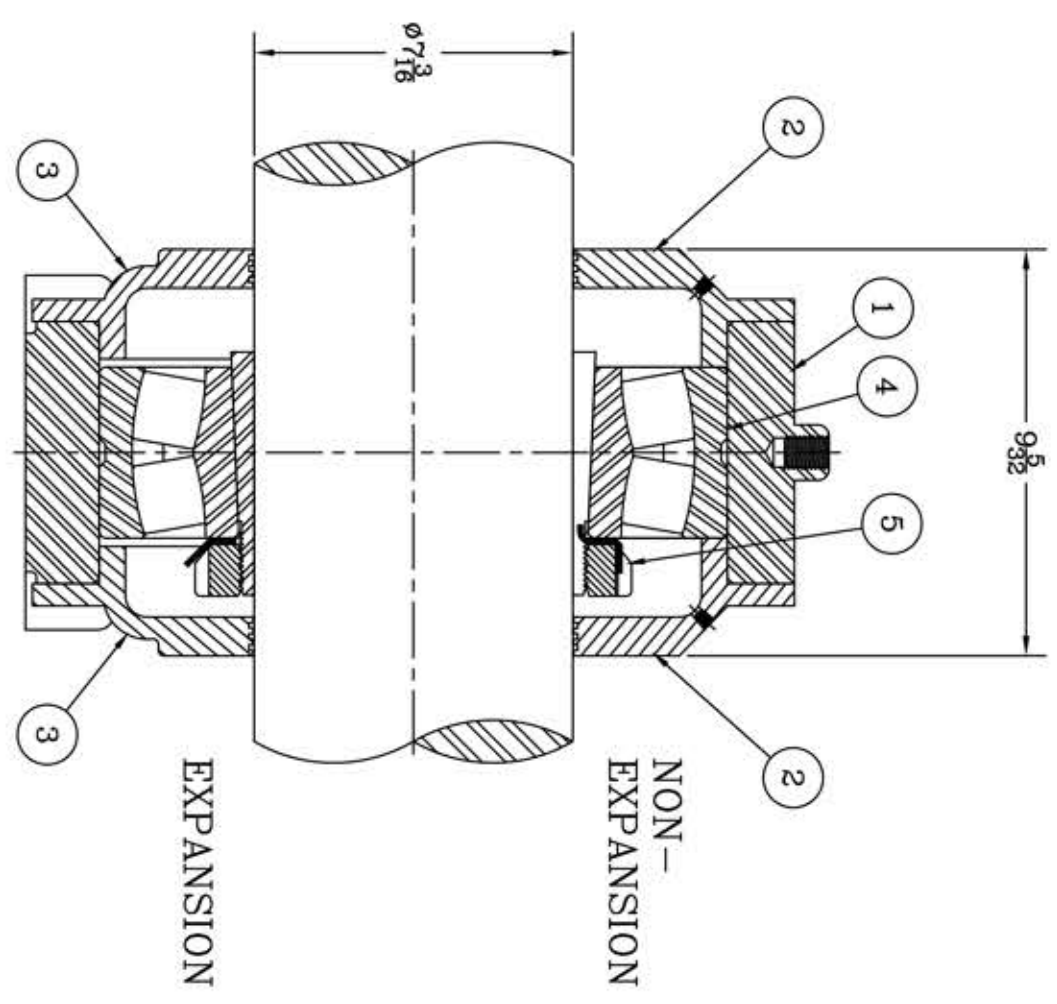


This drawing is the sole property of Miether Bearing Products and contains confidential and proprietary information. It is being provided to you for your use and may not be disclosed to any third party or used for any other purpose without Miether's prior written consent. The [materials] must be returned to the Company upon its demand. Your acceptance of these materials constitutes your acceptance of the foregoing terms.

C-14729



ITEM	DESCRIPTION	DETAIL	REQUIRED
1	HOUSING M3019	C-22181	1 1
2	ENDCAP F3206 NEL	C-22552	2 0
3	ENDCAP F3207 EL	C-22552	0 2
4	SPHERICAL ROLLER BEARING	22240K/W-33	1 1
5	ADAPTER SNW-40 07-03	24461	1 1
6	CAP BOLT HEX. HEAD ¾-10 NC x 1¼ LONG		16 16
7	LOCKWASHER ¾ SPLIT MED.		16 16
8	PIPE PLUG ½-27 NPT		2 2
9	PIPE PLUG ¼-18 NPT		1 1



REDRAWN ON COMPUTER  
RWB per KAB  
7-12-03

REVISIONS

SYMBOL	DESCRIPTION
✓	16
✓	32
✓	63
✓	125
✓	250
✓	500
✓	1000

TOLERANCE: UNLESS OTHERWISE SPECIFIED

FRACTIONS	DECIMALS	CASTING	ANGLES	WELD
± 1/32"	± .005"	± 1/16"	± 0° 30'	± 1/16"

AN ALCO INDUSTRIES COMPANY  
ODDESSA, TX. USA

MMW 22540 07-03  
ASSEMBLY DRAWING

SCALE 1 = 3  
DRAWN CJ  
DATE 9-23-71  
CHK:

ASSEMBLY NO.  
DRAWING NO.  
C-14729