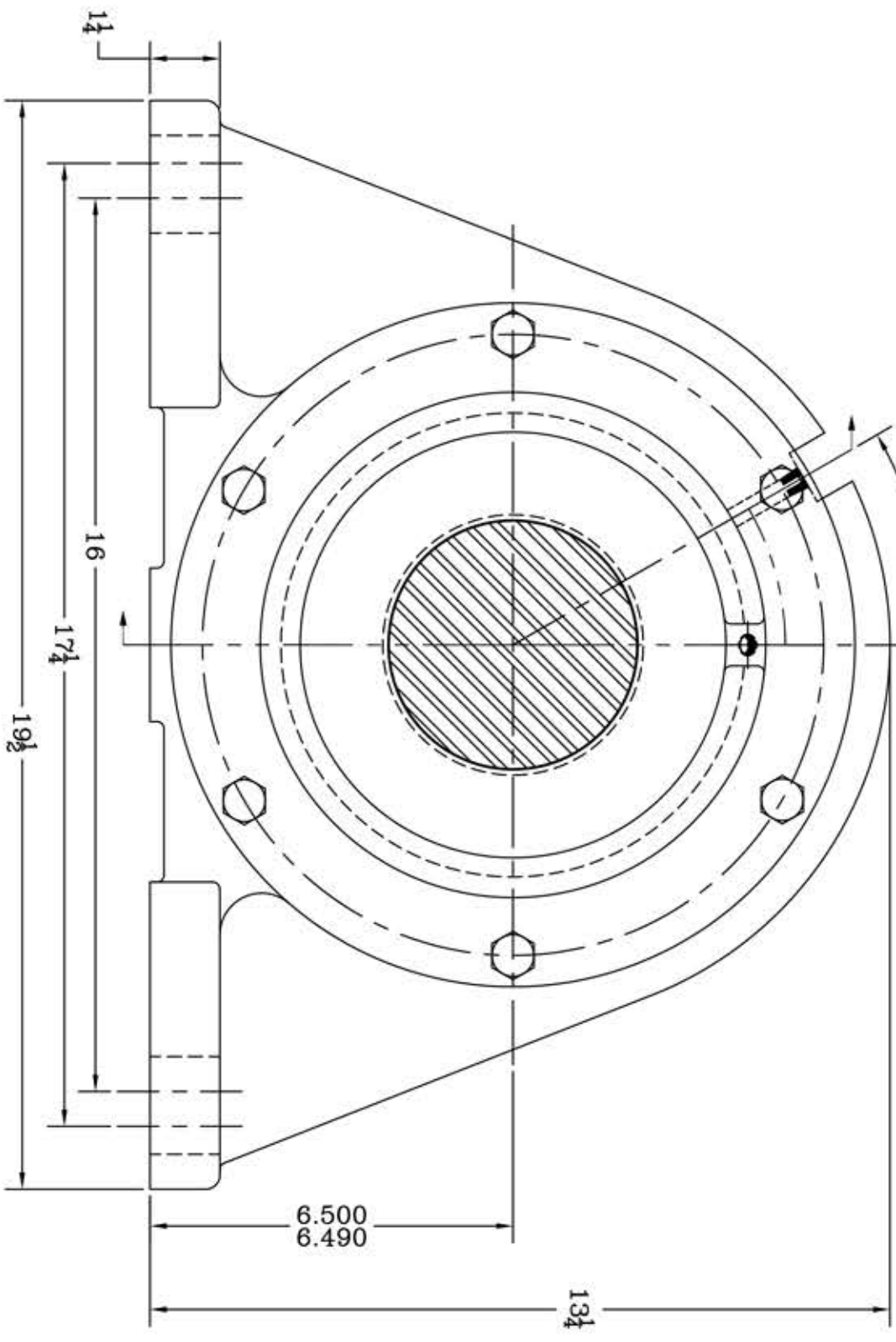
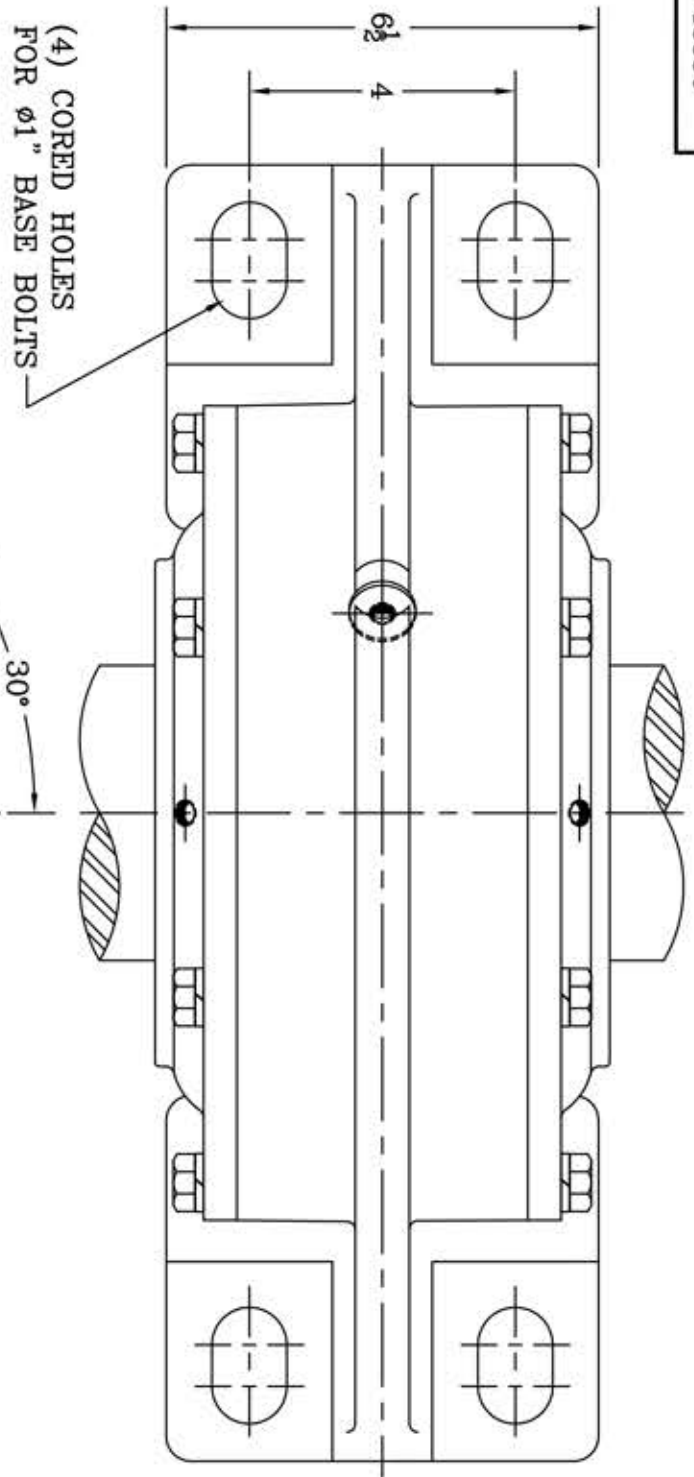
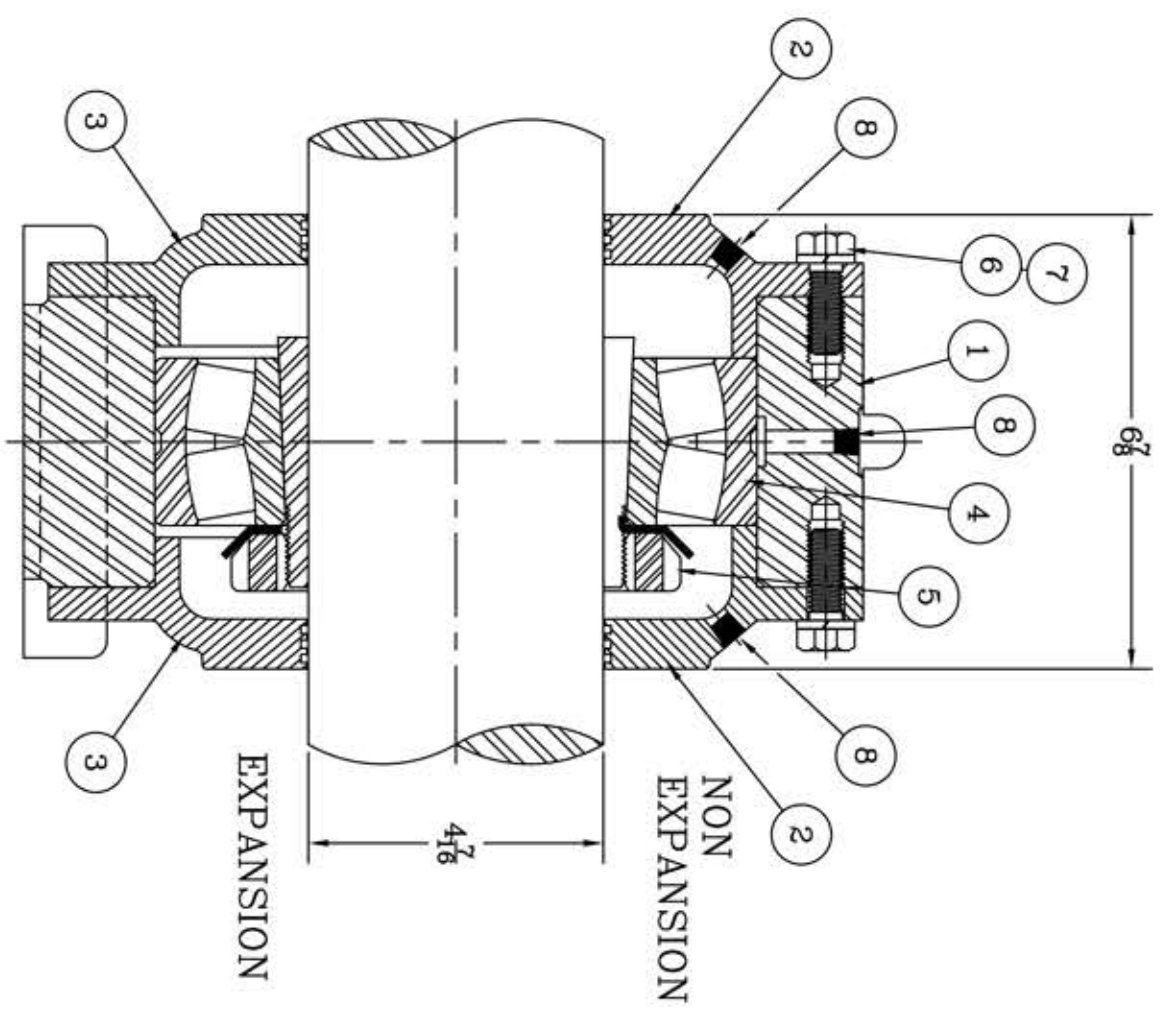


This drawing is the sole property of Miether Bearing Products and contains confidential and proprietary information. It is being provided to you for your use and may not be disclosed to any third party or used for any other purpose without Miether's prior written consent. The [materials] must be returned to the Company upon its demand. Your acceptance of these materials constitutes your acceptance of the foregoing terms.

C-13834



ITEM	DESCRIPTION	DETAIL	REQUIRED NEL	EL
1	HOUSING M3000	C-22121	1	1
2	ENDCAP F3040 NEL	C-22218	1	0
3	ENDCAP F3041 EL	C-22219	0	1
4	SPHERICAL ROLLER BEARING	22226K/W-33	1	1
5	ADAPTER SNW-26 04-07	B-24429	1	1
6	CAP BOLT HEX HEAD	1/2-13 NC x 1 1/2 LONG	12	12
7	LOCKWASHER	1/2 SPLIT MED.	12	12
8	PIPE PLUG	1/2-27 NPT	3	3



REDRAWN ON COMPUTER per JLL by RWB 4-30-02

REVISIONS

SYMBOL	DESCRIPTION
C	FRACCTIONS +- 1/32"
D	DECIMALS +- .005"
E	CASTING +- 1/16"
F	WELD +- 1/16"
G	ANGLES +- 0°-30°
J	A.S.I. STANDARD FINISHES
K	OTHERWISE SPECIFIED

AN ALCO INDUSTRIES COMPANY
BEARING PRODUCTS
ODESSA, TX. USA

MMW 22526 04-07	ASSEMBLY DRAWING
SCALE HALF	ASSEMBLY NO.
DRAWN GM	DRAWING NO.
DATE 11-14-70	C-13834
CHK:	