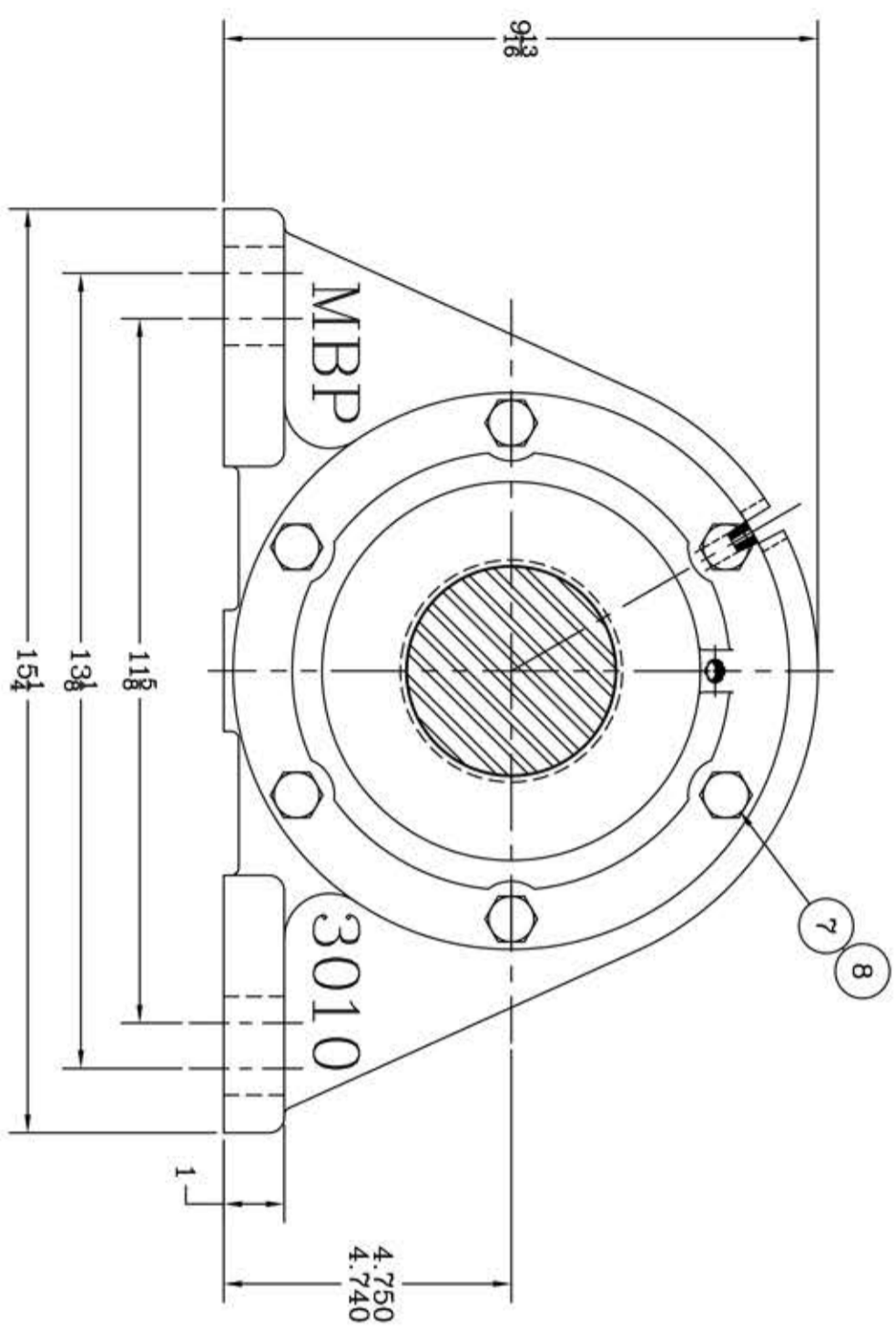
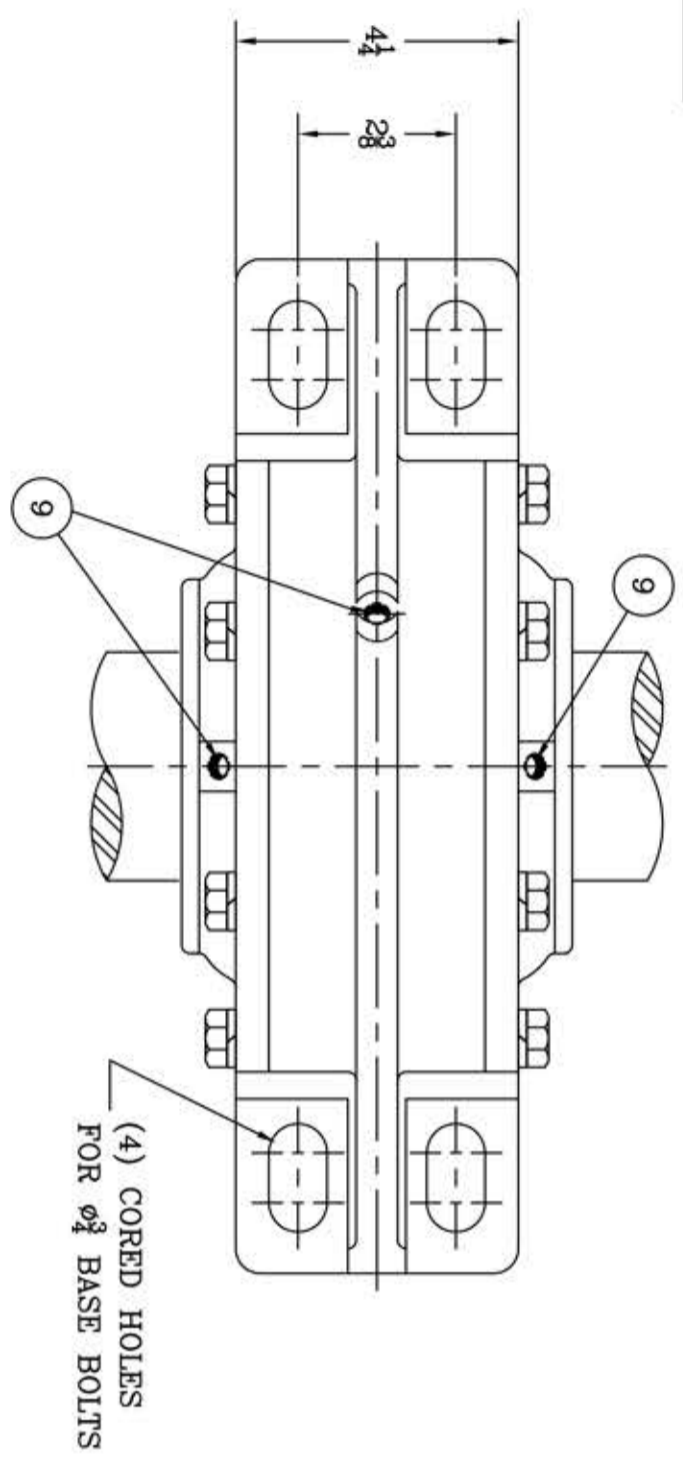
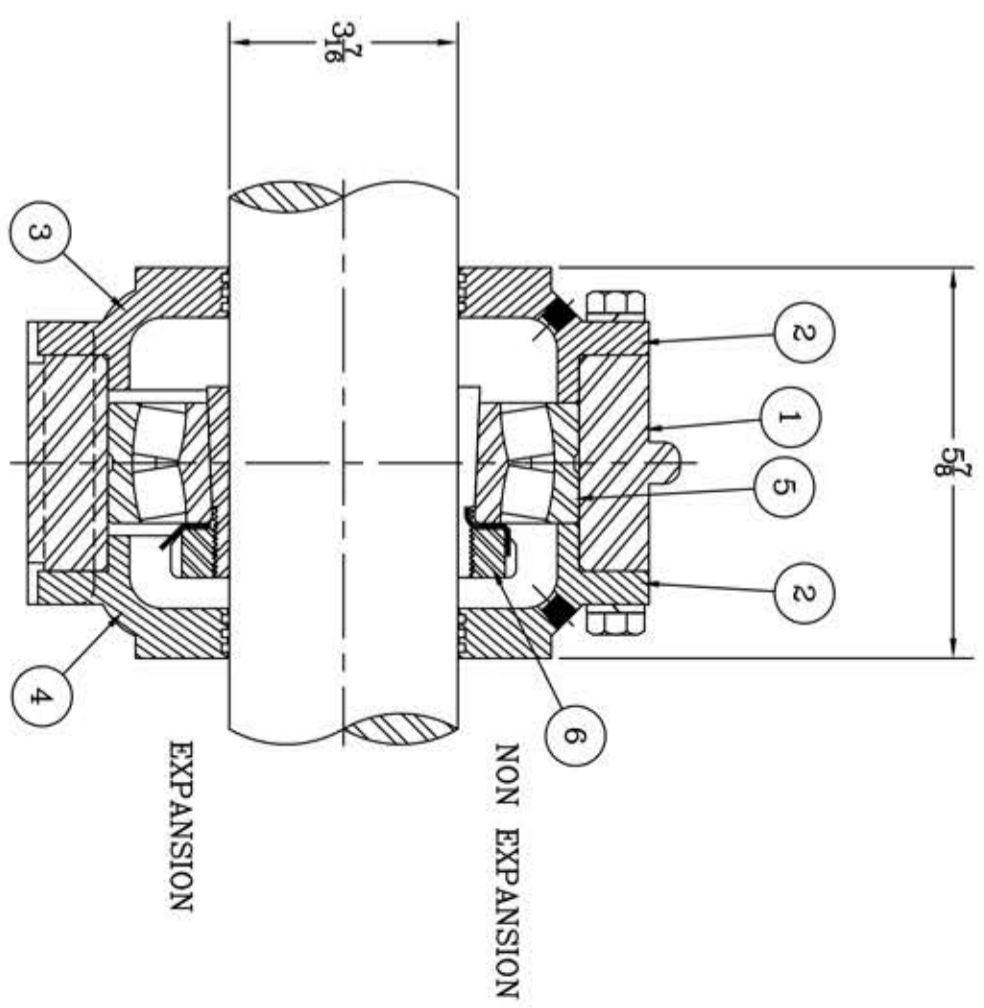


This drawing is the sole property of Miether Bearing Products and contains confidential and proprietary information. It is being provided to you for your use and may not be disclosed to any third party or used for any other purpose without Miether's prior written consent. The [materials] must be returned to the Company upon its demand. Your acceptance of these materials constitutes your acceptance of the foregoing terms.

C-14719



ITEM	DESCRIPTION	DETAIL	REQUIRED
1	HOUSING M 3010	C-24096	1 1
2	ENDCAP F-3062	C-22274	2 0
3	ENDCAP F-3063	C-22275	0 1
4	ENDCAP F-3063 CL	C-22276	0 1
5	SPHERICAL ROLLER BEARING	22220K/W33	1 1
6	ADAPTER SNW 20 03-07	B-24416	1 1
7	CAP BOLT HEX. HEAD	1/2-13 NC x 1 1/2 LONG	12 12
8	LOCKWASHER	1/2 SPLIT MED.	12 12
9	PIPE PLUG	1/2-27 NPT	3 3



REDRAWN FOR CONFORMITY RWB per KAB 3-31-03
 REDRAWN ON COMPUTER by OMI 8-28-01

REVISIONS

SYMBOL	VALUE	DESCRIPTION
✓	16	REVISIONS
∇	32	
∇	63	
∇	125	
∇	250	
∇	500	
∇	1000	

TOLERANCE: UNLESS OTHERWISE SPECIFIED
 FRACTIONS ± 1/32"
 DECIMALS ± .005"
 CASTING ± 1/16"
 WELD ± 1/16"
 ANGLES ± 0° 30'

A.I.S.I. STANDARD FINISHES

AN ALCO INDUSTRIES COMPANY
 BEARING PRODUCTS
 ODESSA, TX. USA

MMW 22520 03-07	ASSEMBLY DRAWING
SCALE HALF	ASSEMBLY NO.
DRAWN CJ	DRAWING NO.
DATE 7/26/71	C-14719
CHK:	