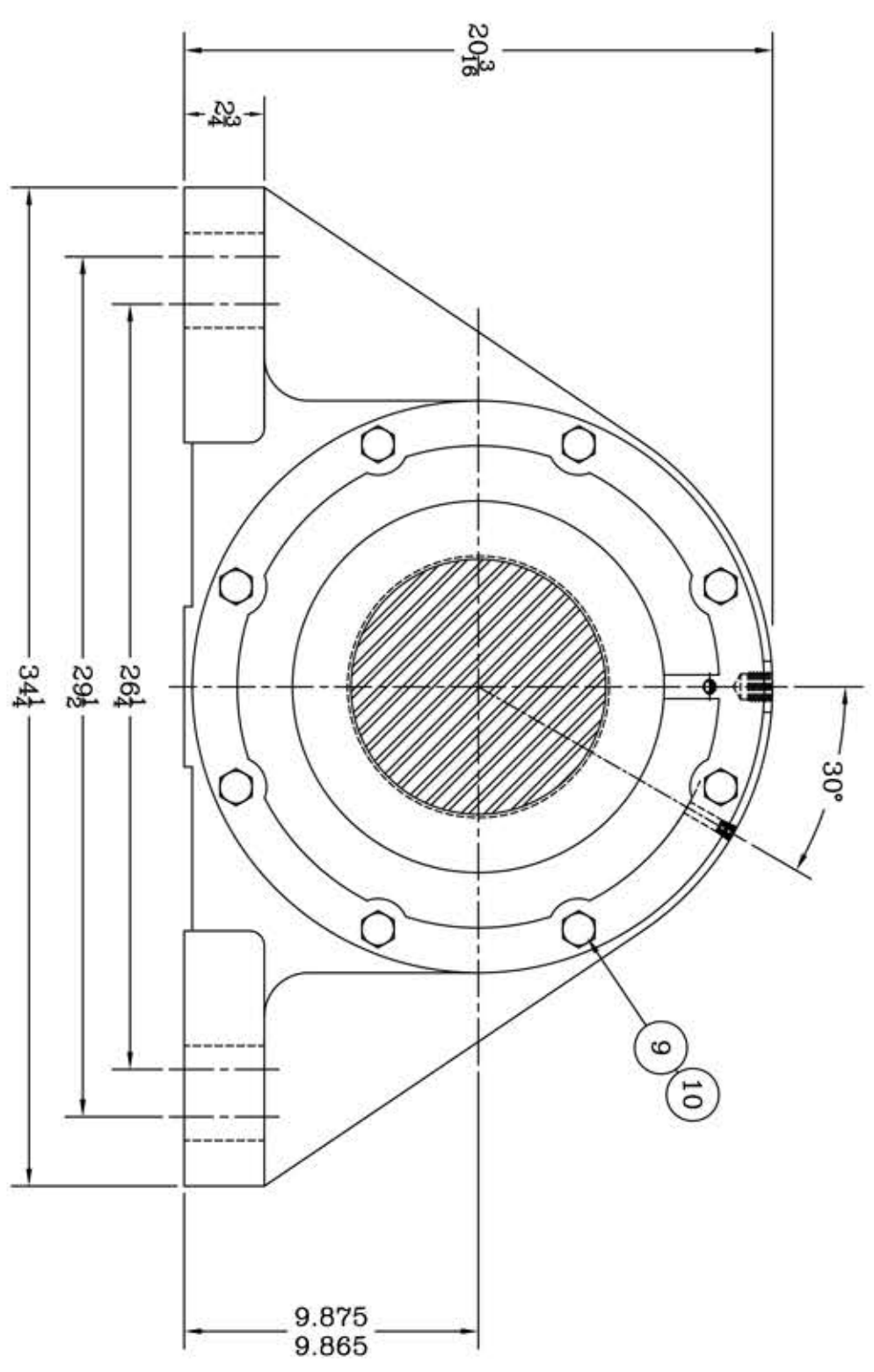
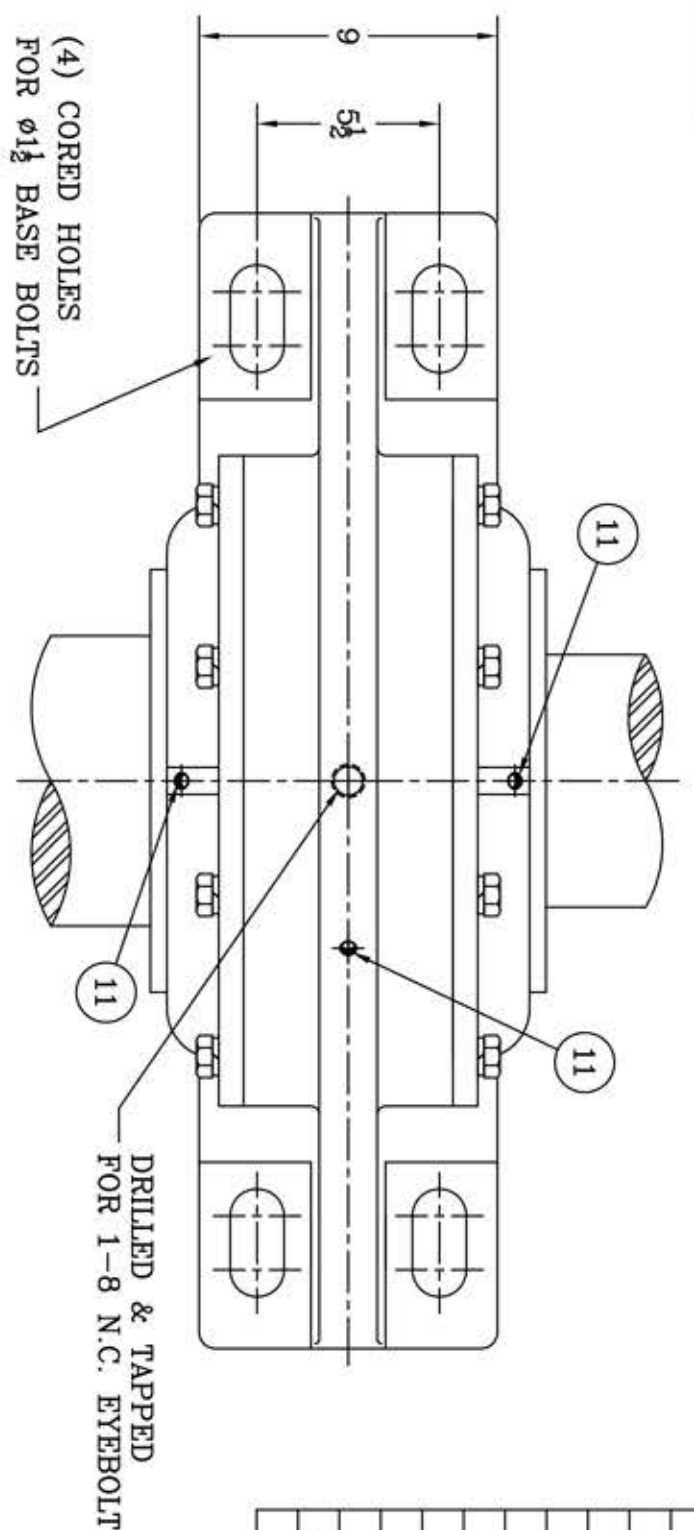
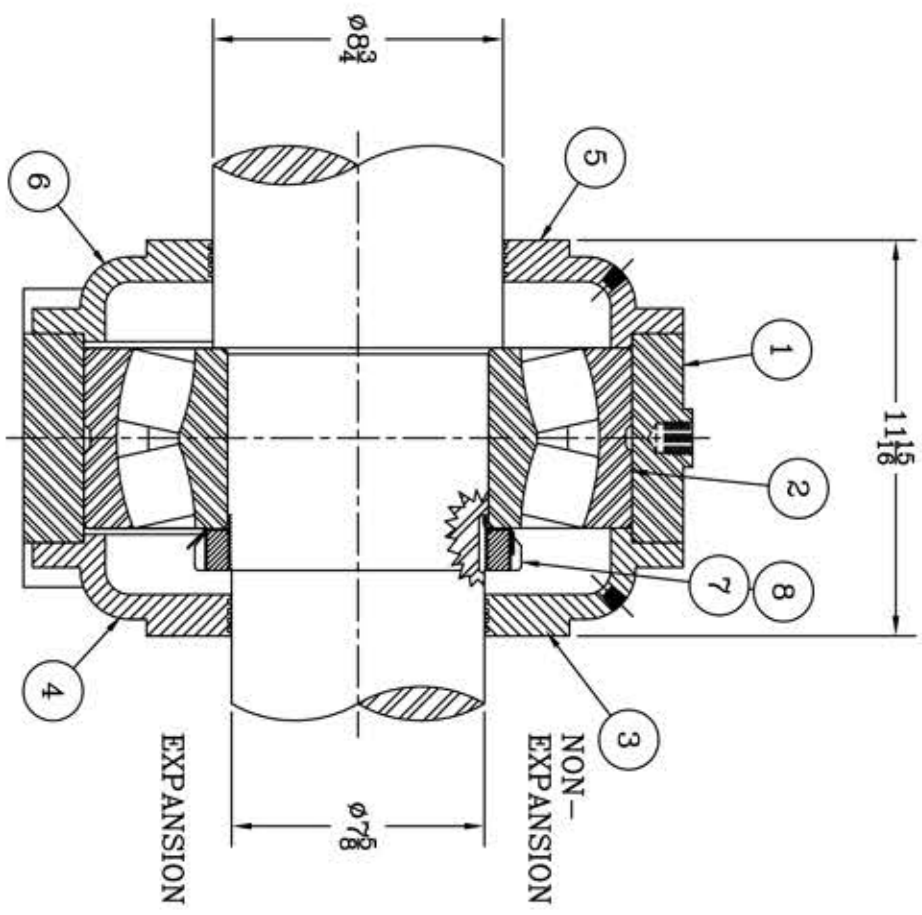


This drawing is the sole property of Miether Bearing Products and contains confidential and proprietary information. It is being provided to you for your use and may not be disclosed to any third party or used for any other purpose without Miether's prior written consent. The [materials] must be returned to the Company upon its demand. Your acceptance of these materials constitutes your acceptance of the foregoing terms.

C-14713



ITEM	DESCRIPTION	DETAIL	REQUIRED
1	HOUSING M-3703	C-23775	1 1
2	SPHERICAL ROLLER BEARING	22340/W-33	1 1
3	ENDCAP F-3694-10 NEL	C-23192	1 0
4	ENDCAP F-3695-10 EL	C-23192	0 1
5	ENDCAP F-3694-9 NEL	C-23190	1 0
6	ENDCAP F-3695-9 EL	C-23190	0 1
7	LOCKNUT AN-40	B-10424	1 1
8	LOCKNUT W-40	00254	1 1
9	CAP BOLT HEX. HEAD	3-10 NC x 2 LONG	16 16
10	LOCKWASHER	3 SPLIT MED.	16 16
11	PIPE PLUG	1-18 NPT	3 3



REDRAWN FOR CONFORMITY RWB per KAB 5-3-04
 REDRAWN ON COMPUTER AR per KAB 2-9-04

REVISIONS

SYMBOL	DESCRIPTION	DATE
C	...	16
D	...	32
E	...	63
F	...	125
G	...	250
J	...	500
K	...	1000

TOLERANCE: UNLESS OTHERWISE SPECIFIED
 FRACTIONS $\pm 1/32"$ ANGLES $\pm 0^\circ 30'$
 DECIMALS $\pm .005$ CASTING $\pm 1/16"$ WELD $\pm 1/16"$
 A.I.S.I. STANDARD FINISHES

AN ALCO INDUSTRIES COMPANY
 BEARING PRODUCTS
 ODESSA, TX. USA

MMW 22340 08-12 x 07-10
 ASSEMBLY DRAWING

SCALE 1 = 4	ASSEMBLY NO.
DRAWN CJ	DRAWING NO.
DATE 7/28/71	C-14713
CHK:	